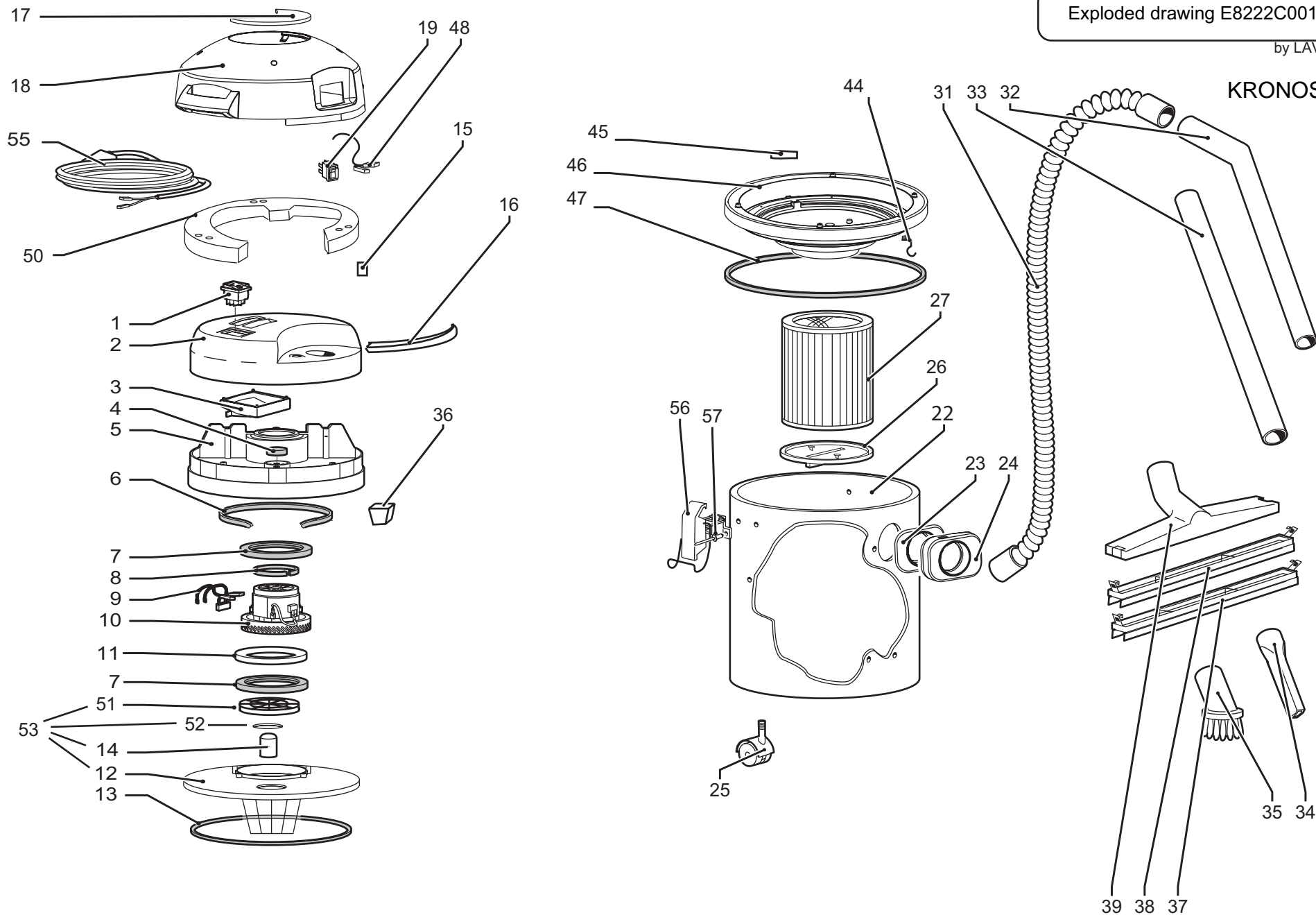


Exploded drawing E8222C001/01

by LAVORWASH

KRONOS PF04



SPARE PARTS LIST

CODE: 8.222.0501 REV.: 1 DESCRIPTION: ASPIRATORE KRONOS PF-04 230/50
-EU- LAVOR PRO

VALID FROM: 06/10/2004 VALID TILL: 01/01/3000

GROUP CODE: R82220501 REV.: 1 DESCRIPTION: ASPIRATORE KRONOS PF-04 230/
-EU- LAVOR PRO

VALID FROM: 06/10/2004 VALID TILL: 01/01/3000 TABLE N: E8222C001/01

CODE:	DESCRIPTION:	QTY':	POS.:	RIF1:	RIF2:
3.401.0129	CAP ILR 35x25	1	01		
4.208.0024	BLACK HEAD FOR VACUUM	1	02		
4.208.0001	HANDLE SEAT FOR VACUUM	CLEANER	1	03	
4.215.0008	CORK PL/45 D.51 SP.8 ESP.00		1	04	
4.208.0256	CONVEYER FOR VACUUM CLEANER	-G- x ZEUS	1	05	
4.215.0065	GASKET FOR CONVEYER ZEUS	400x30x8sp	1	06	
4.208.0028	RUBBER GASKET FOR UNIV. MOTOR		2	07	
4.215.0003	FAN COVER GASKET 190X12X3		1	08	
4.212.0018	LITTLE CABLE H05VV-F 2x0,75	L=500	1	09	
3.755.0004	BRUSH MOTOR 230/50-60HZ		1	10	
4.215.0007	CIRCULAR GASKET PPI 30		1	11	
4.208.0026	BLACK UNDER HEAD		1	12	
3.299.0006	LOWER CAP GASKET		1	13	
4.007.0239	DISK D.56 FOR FLOATING GNXC/FI	LTER ESP.1	1	14	
4.208.0017	FLOAT FOR HEAD		1	14	
4.008.0008	CAPACITOR CHOCK		1	15	
4.215.0062	SPONGE MTP 30 25x20xsp.20		1	16	
4.208.0283	HANDLE FOR VACUUM CLEANER '03	(DARK GREY RAL.7016)	1	17	
4.208.0282	HEAD FOR ZEUS (GREY)-RAL.7016		1	18	
5.009.0213	ASS.SWITCH+TRANSPARENT	PROTECTION	1	19	
4.208.0135	CONE TO EXTEND THE FILTER FOR	V.C.'03 (BLACK)	1	20	
5.209.0052	CLOTH FILTER + RING x ZEUS		1	21	
4.208.0285	ZEUS DRUM (35LT)-LIGHT GREY	RAL.7046	1	22	
3.099.0455	GASKET FOR VACUUM CLEANER WITH	NOZZLE DIAM.40	1	23	
3.752.0075	COMPLETE NYLON NOZZLE D.40		1	24	
3.006.0067	BLAK WHEEL DOUBLE NO TRACE	GREY	4	25	
4.208.0025	FIXING DISC FOR CARDRIGE	FILTER	1	26	
3.752.0041	OPEN CARDRIGE FILTER FOR	VACUUM CLEANER	1	27	
5.209.0021	COMPLETE FLEX HOSE MT.2.5	D.40	1	31	
3.753.0019	STEEL CURVED HOSE D.38.2		1	32	
3.753.0020	STEEL HOSE D.38.2		1	33	
3.754.0048	FLAT LANCE D.40 FOR	ZEUS-DOMUS-TAURUS	1	34	
3.754.0049	ROUND BRUSH D.40		1	35	
4.215.0056	SPONGE FOR ZEUS PPI30	90x90xh30	1	36	
3.754.0085	ACCESSORY FOR LIQUID L=400	(TO INSERT IN BRUSH)	1	37	
3.754.0084	ACCESSORY WITH BRISTLES L=400	(TO INSERT IN BRUSH)	1	38	
3.754.0083	BRUSH D.37 L=400mm		1	39	
4.207.0025	REED FOR NO STATIC ELECT. KIT		1	44	
4.008.0277	FIX PAD CABLE HOLDER		1	45	
4.208.0092	ADAPTOR COVER FOR ZEUS DRUM	(YELLOW)-RAL.1018	1	46	
4.215.0019	GASKET 348x382 5mm=sp. x ZEUS		1	47	
4.012.0142	NO DISTURBANCE FILTER MOD.AV.	1.40.00 MKTx2,22mF K275V	1	48	
4.215.0061	DIVIDING SPONGE FOR ZEUS HEAD	sp.30	1	50	
4.208.0027	DISK TO SUSTAIN THE MOTOR		1	51	
4.208.0018	GASKET FOR FLOAT		1	52	
5.211.0003	LOWER BLACK CALOTTE		1	53	
4.012.0110	ELECT. CABLE H05VV-F 2x0,75	7.m F/F SCHUKO	1	55	
3.099.0454	HOOK 2.05/621 ZNT FOR	BODY TAURUS '03	2	56	
3.002.0589	SCREW TCTC AUTOF. 4.8x19 INOX	UNI 6954	2	57	