

# SPARE PARTS LIST

CODE:8.621.0001 REV.:1 DESCRIPTION: IDRO LKX4 1310 M 230/50  
LWS

VALID FROM: 10/06/2004 VALID TILL: 01/01/3000

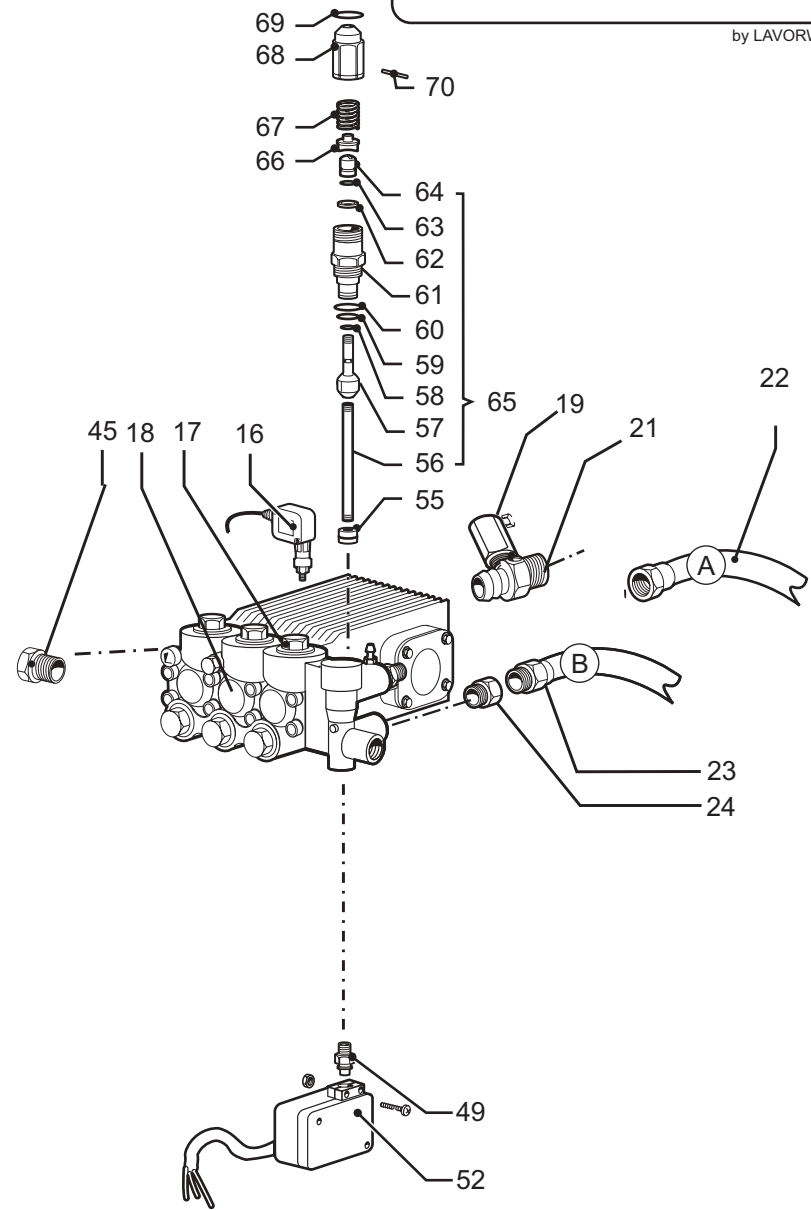
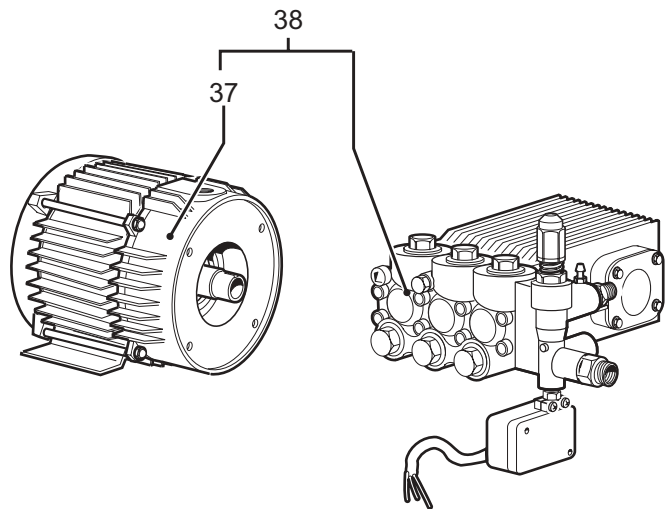
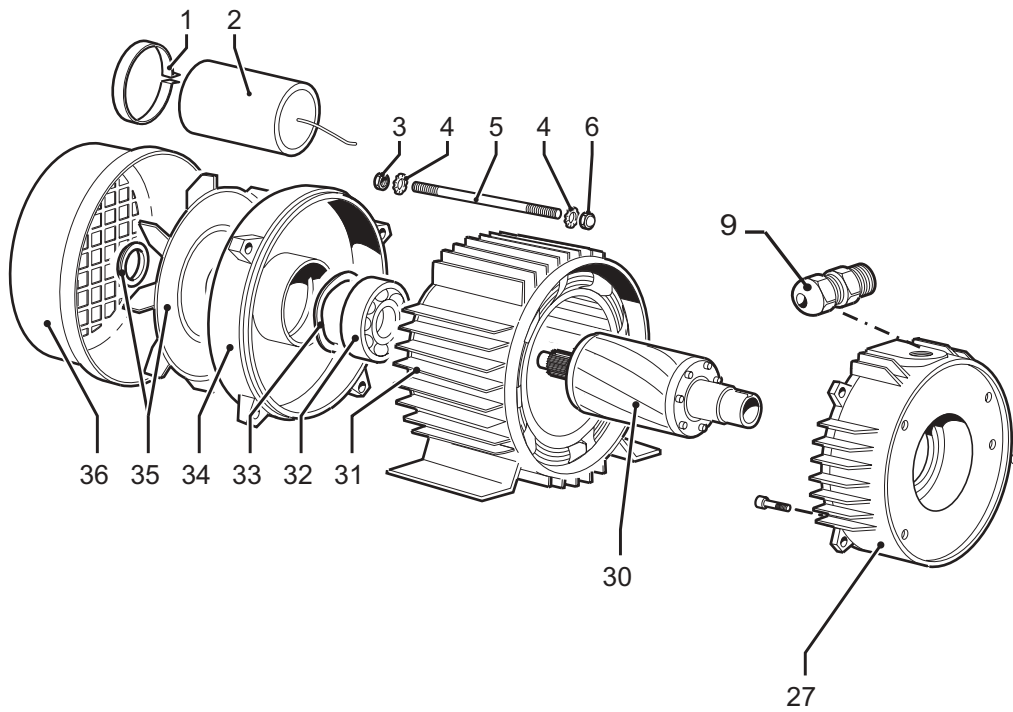
GROUP CODE: R86210001 REV.: 1 DESCRIPTION: IDRO LKX4 1310 M 230/50  
LWS

VALID FROM: 10/06/2004 VALID TILL: 01/01/3000 TABLE N: E8620C001/01

CODE:	DESCRIPTION:		QTY':	POS.:	RIF1:	RIF2:
5.613.0115	BACK AXLE		1	01		
4.613.0181	UPPER COVER		1	02		
4.608.0170	LEFT HANDLE		1	03		
4.608.0169	RIGHT HANDLE		1	04		
4.613.0182	FRONT BLACK COVER		1	05		
4.608.0203	DIESEL/DETERGENT TANK		1	06		
4.612.0037	CABLE H05PVC		1	08		
4.608.0074	LONG SPACER FOR TANK JOLLY 4/9	3	4	09		
4.006.0132	OIL CAP		1	10		
4.608.0073	SHORT SPACER FOR TANK JOLLY 4/	93	4	11		
5.613.0096	BOILER AXLE JOLLY 4/93	ESP.01	1	12		
6.605.0021	WHEELS+BLOCK+COVER KIT X	LKX 4 NPX 4	4	13		
4.613.0184	RIGHT LATERAL COVER		1	14		
4.613.0183	LEFT LATERAL COVER		1	15		
4.608.0082	GAS OIL-CHEM TANK CAP		1	16		
3.700.0026	RL300 3/8M+S3+RF1 M22 GUN		1	17		
4.618.0016	HOSE 5/16 210BAR MT.10 CM AP1	031 3/8 MT.10	1	18		
3.701.0015	LANCE L.700 +PL4/1+W ASHER+	QUICK CONN M22 41102850	1	19		
5.611.0078	HOSE FITTING		1	21		
3.103.0050	H.P. NOZZLE 15045 1/8M		1	22		
3.100.0043	3/8" M ROTATING QUICK COUPLING		1	23		
6.605.0019	KIT 3 PCS LANCE SUPPORT		1	24		
3.403.0078	INDICATOR DIESEL LEVEL		1	25		
3.200.0038	O-RING GASKET 53,65X2,62 REF.3	212	2	26		

Exploded drawing E56010017/04

by LAVORWASH



# SPARE PARTS LIST

CODE: 8.621.0001      REV.: 1      DESCRIPTION: IDRO LKX4 1310 M 230/50  
LWS

VALID FROM: 10/06/2004      VALID TILL: 01/01/3000

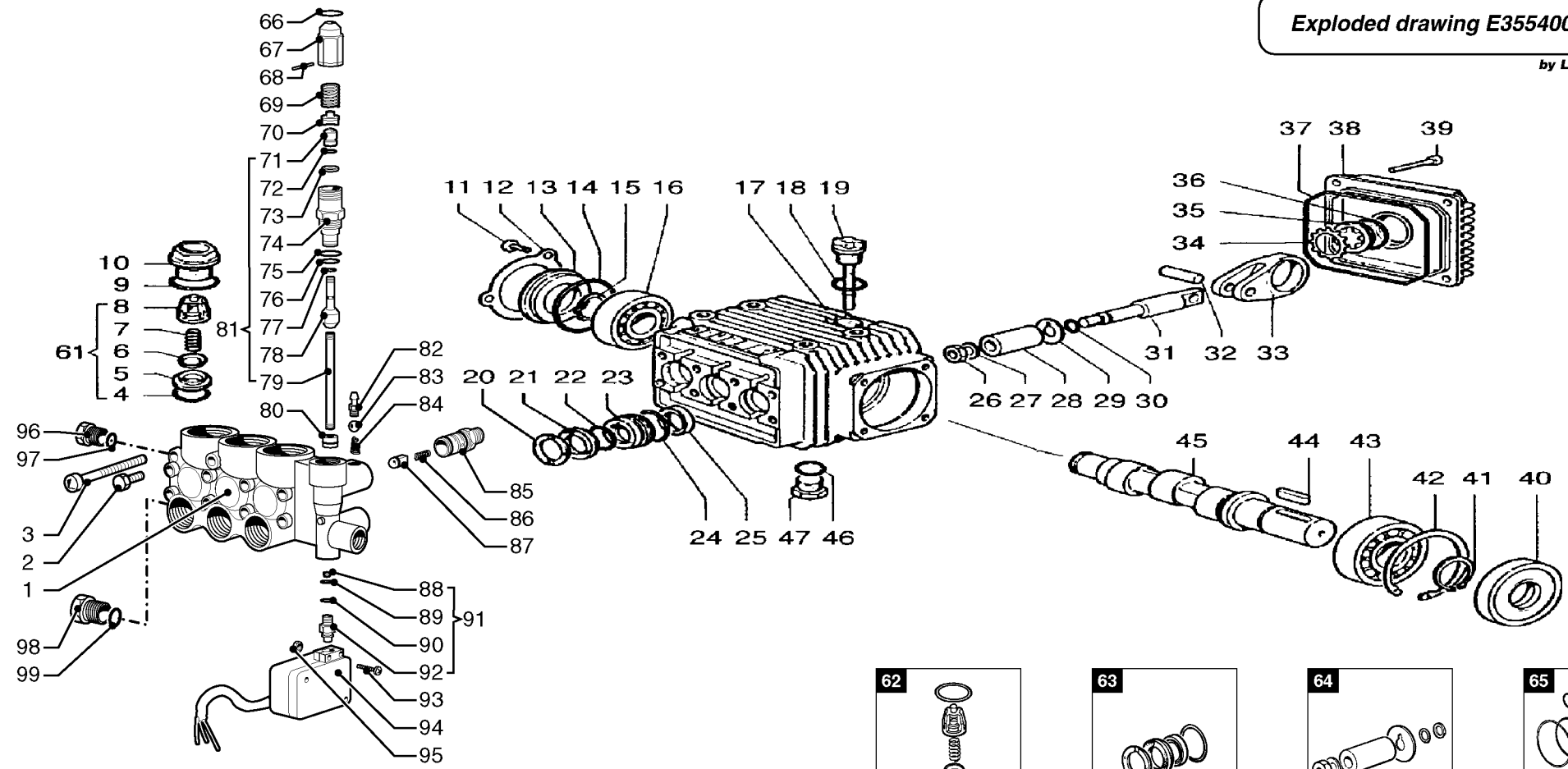
GROUP CODE: R56010228      REV.: 1      DESCRIPTION: MOTOPOMPA LWM 230/50 4P HP3 T  
LW-K3025 S SX COMPL.CALDO DIR.

VALID FROM: 03/06/2004      VALID TILL: 01/01/3000      TABLE N: E56010017/04

CODE:	DESCRIPTION:	QTY':	POS.:	RIF1:	RIF2:
3.099.0194	CONDENSER METAL WRAPPER ORE D .	55	1	01	
3.404.0036	CAPACITOR 80mF 450V D 50	CABLE L300 S/FASTON	1	02	
3.003.0011	NUT EM 6 UNI5588		4	03	
3.004.0010	WASHER		8	04	
4.607.0008	THE ROD MOTOR LW M6X160		4	05	
3.003.0019	NUT		4	06	
3.406.0033	CABLE BLOCK PG 21		1	09	
3.704.0005	AIR PRESSURE SWITCH PR5 45BAR	1/4 L.650	1	16	
4.606.0110	VALVE CAP		1	17	
3.554.0016	LW K 3025 S LEFT 1450 RPM PUMP	(6300075100)	1	18	
3.106.0001	SECURITY VALVE G1/4" M D6 200	BAR	1	19	
4.607.0263	REVOLVING JOIN 3/8" F-3/8" M	1/4" F	1	21	
4.618.0035	TUBE R1 PUMP/COIL TG480		1	22	
4.618.0030	TUBE B.P.D 20X10 3/8M -3/8M .L	450	1	23	
3.100.0046	REDUCTDN F3/8" CLM 1/2 CLSV		1	24	
4.605.0052	FRONT MOTOR FLANGE		1	27	
5.605.0048	ROTOR 90x135		1	30	
5.602.0031	MOTOR STATOR LWM		1	31	
3.001.0066	RADIAL SPHERE BEARING 6305 2RS	KBC (25x62x17)	1	32	
3.099.0805	RNG 61x51x0,4 H 3,5		1	33	
4.605.0055	BACK CAP FOR LW MOTOR D 150	(BEARING D.62)	1	34	
3.099.1045	FAN MEC100		1	35	
4.605.0067	BLOCK FOR FAN		1	35	
4.607.0082	FAN COVER		1	36	
5.606.0069	LWM MOTOR		1	37	
5.601.0228	LEFT MOTOR PUMP		1	38	
3.100.0022	REDUCTDN M GAS M GAS 3/8 1/4		1	45	
5.609.0158	ASSEMBLY CONNECTOR 1/8" G + CAP	M7 TS	1	49	
5.609.0107	BOX+MICRO+CABLE 3X1 FOR TS	BRASS HEAD 99	1	52	
5.609.0080	SEAL SEAT ASSY +OR		1	55	
5.609.0152	HOLDER ROD ASSY FOR PUMP	S/TS (JOIN + SEAT)	1	65	
4.607.0206	PLATE FOR SPRNG		1	66	
4.607.0207	PRESSURE REGULATDN SPRNG		1	67	
4.606.0093	PRESSURE REGULATDN KNOB		1	68	
3.200.0046	O-RNG 21,95X1,78 REF 2087		1	69	
3.099.0136	PLUG		1	70	

**Exploded drawing E35540004/01**

by LAVORWASH



**62**

Item	Qty
4	6
5	6
6	6
7	6
8	6
9	6

**63**

Item	Qty
20	3
21	3
22	3
24	3

**64**

Item	Qty
26	3
27	3
28	3
29	3
30	3

**65**

Item	Qty
4	6
9	6
14	1
18	1
24	3
25	3
30	3
36	1
37	1
40	1
46	1

# SPARE PARTS LIST

CODE:8.621.0001

REV.:1

DESCRIPTION: IDRO LKX4 1310 M 230/50  
LWS

VALID FROM: 10/06/2004

VALID TILL: 01/01/3000

GROUP CODE: R35540016

REV.: 1

DESCRIPTION: POMPA LW-K 3025 S SX 1450 rpm  
(6300075100) A.S.S.

VALID FROM: 08/06/1999

VALID TILL: 02/10/2002

TABLE N: E35540004/01

CODE:	DESCRIPTION:	QTY':	POS.:	RIF1:	RIF2:
3.555.0133	BRASS HEAD D 18 32180107.00	1	01		
3.555.0076	HEAD CAP G 1/8 3202.0018.00	1	02		
3.555.0077	SCREW M 6X55 3609.0152.00	8	03		
3.555.0005	OR 2.62X17.13 1210.0046.00	6	04		
3.555.0006	VALVE PLATE SEAT 3009.0087.00	6	05		
3.555.0007	STEEL PLATE FOR VALVE	6	06	3604.0017.00	
3.555.0008	VALVE SPRNG 1802.0177.00	6	07		
3.555.0009	VALVE CAGE 1205.0025.00	6	08		
3.555.0010	OR 2.62X20.24 FOR CAP	6	09	1210.0048.00	
3.555.0012	VALVE CAP 3202.0155.00	6	10		
3.555.0078	SCREW M 5X10 3609.0088.00	3	11		
3.555.0057	CLAMP FOR CAP 1004.0012.00	1	12		
3.555.0056	SMALL COVER 0402.0172.00	1	13		
3.555.0055	OR 3.53X44.04 1210.0386.00	1	14		
3.555.0079	SPACER 3019.0011.00	1	15		
3.555.0054	BEAR NG 20X52X15 0438.0069.00	1	16		
3.555.0053	PUMP HOUS NG 0403.0128.00	1	17		
3.555.0052	OR 1.78X14 1210.0093.00	1	18		
3.555.0080	OIL LEVEL POLE 3200.0051.00	1	19		
3.555.0046	HEAD R NG D 18 0009.0193.00	3	20		
3.555.0047	GASKET D 18 1241.0035.00	3	21		
3.555.0048	GASKET 18X25X5.5 1241.0028.00	3	22		
3.555.0049	HOLDER R NG FOR SEAL D 18	3	23	0009.0197.00	
3.555.0085	OR (SEAL) 1210.0223.00	3	24		
3.555.0051	OIL SEAL 0019.0095.00	3	25		
3.555.0059	NUT 0600.0048.00	3	26		
3.555.0060	W ASHER 8.2X14X1.5 2811.0080.00	3	27		
3.555.0061	P I STON D 18 0202.0018.00	3	28		
3.555.0062	W ASHER FOR P I STON BASE	3	29	2812.0038.00	
3.555.0063	OR-1.78X6.07 1210.0055.00	3	30		
3.555.0064	P I STON G U I D E 2409.0044.00	3	31		
3.555.0065	P L U G 3011.0014.00	3	32		
3.555.0066	C O N N E C T I N G R O D 0205.0050.00	3	33		
3.555.0067	G A S K E T 3019.0033.00	1	34		
3.555.0068	O I L L E V E L I N D I C A T O R	1	35	3201.0010.00	
3.555.0069	OR 1.78X23.52 1210.0333.00	1	36		
3.555.0070	OR 2.62X101.27 1210.0206.00	1	37		
3.555.0087	H O U S I N G C O V E R	1	38	0402.0142.00	
3.555.0088	SCREW M 6X25 3609.0041.00	4	39		
3.555.0074	S E A L R N G 0019.0094.00	1	40		
3.555.0089	R N G S E L G E R C 72 3019.0006.00	1	41		
3.555.0090	R N G S E L G E R C 72 3020.0012.00	1	42		
3.555.0073	B E A R I N G 25X62X17 0438.0071.00	1	43		
3.555.0072	K E Y 8X7X28 1602.0045.00	1	44		
3.555.0071	S H A F T D 24	1	45	0001.0290.00	
3.555.0052	OR 1.78X14 1210.0093.00	1	46		
3.555.0016	C A P 3/8 C A S 3200.0007.00	1	47		
3.555.0016	C A P 3/8 C A S 3200.0007.00	1	48		
3.555.0015	W A S H E R 1.67X22X1.5	1	49	2811.0084.00	
3.555.0014	B R A S S C A P G 1/2 3202.0015.00	1	50		
3.555.0013	W A S H E R 21.2X27.1X1.5	1	51	2811.0086.00	
3.555.0045	V A L V E A S S Y 1220.0030.00	6	61		
3.555.0028	C O M P L E T E V A L V E K I T	1	62	5025.0011.00	
3.555.0024	W A T E R S E A L K I T F O R L W 3525	1	63	5019.0037.00	
3.555.0027	P I S T O N K I T L W 3525	1	64	2409.0072.00	
3.555.0025	O I L V A L V E K I T F O R L W	1	65	5019.0040.00	

# SPARE PARTS LIST

CODE:8.621.0001

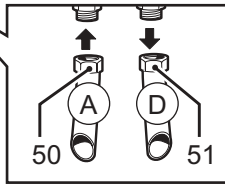
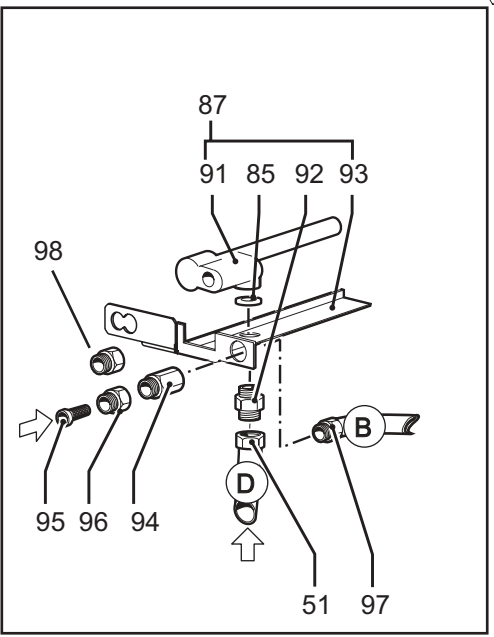
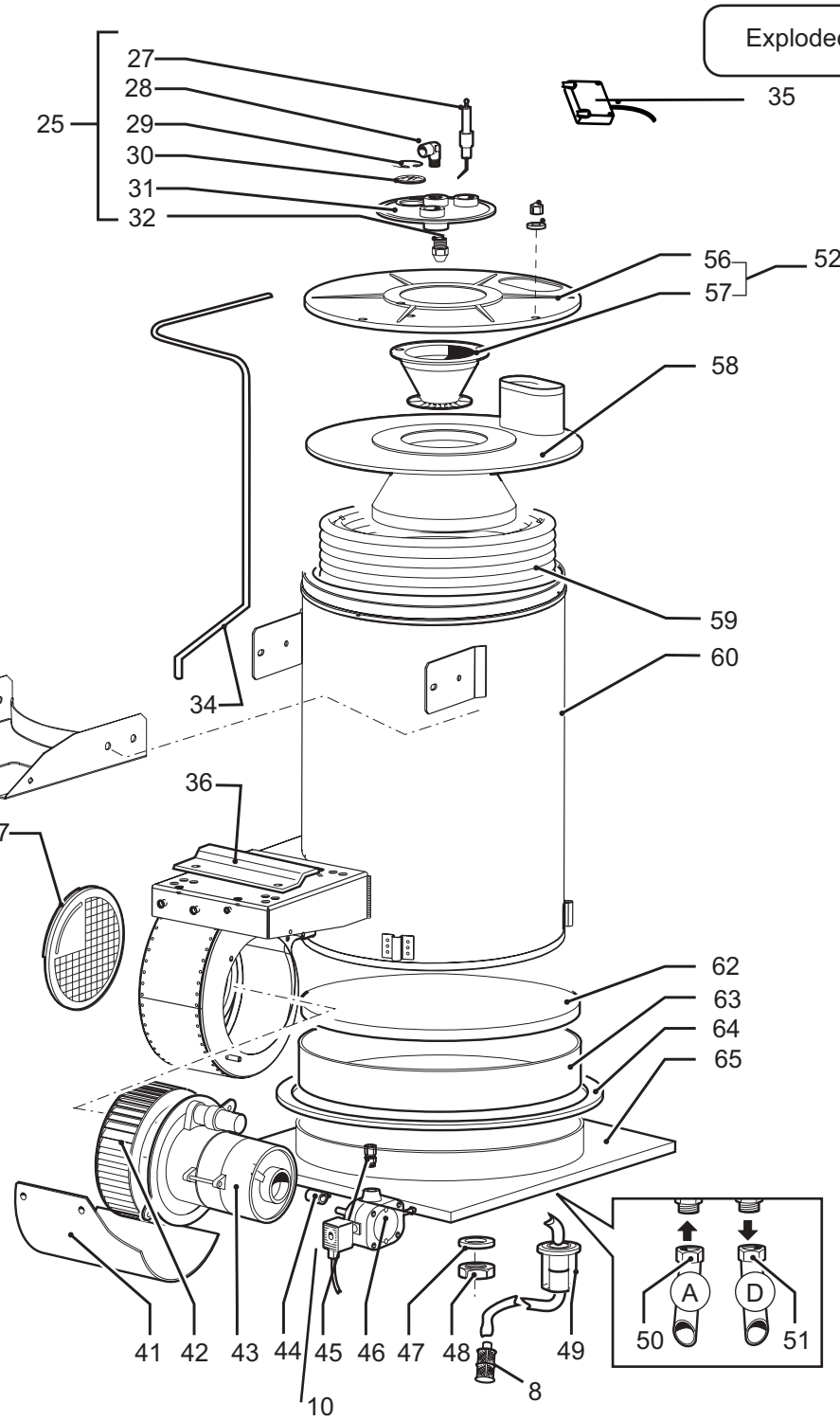
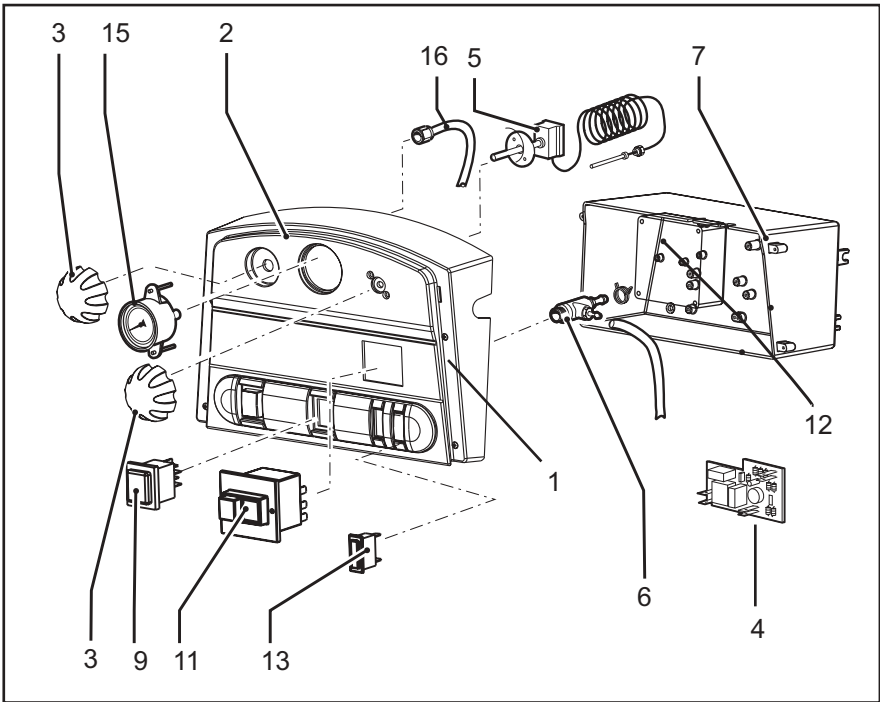
REV.:1

DESCRIPTION: IDRO LKX4 1310 M 230/50  
LWS

VALID FROM: 10/06/2004

VALID TILL: 01/01/3000

5.009.0561	CONNECTOR X DETERGENT SUCTION	D.1 + OR	1	82		
3.005.0001	BALL NOX 420 DAM 5		1	83		
4.007.0323	SPRING FOR DETERGENT VALVE	De4,5-7 L=7 NOX	1	84		
5.609.0079	OUTLET COUPLNG FOR BRASS HEAD		1	85		
4.607.0259	NO RETURN VALVE SPRING L=20		1	86		
5.609.0041	NON RETURN VALVE + OR	ASSEMBLY	1	87		
3.555.0016	CAP 3/8 CAS 3200.0007.00		1	96		
3.555.0015	WASHER 16.7X22X1.5	2811.0084.00	1	97		
3.555.0014	BRASS CAP G 1/2 3202.0015.00		1	98		
3.555.0013	WASHER 21.2X27.1X1.5	2811.0086.00	1	99		



# SPARE PARTS LIST

CODE: 8.621.0001      REV.: 1      DESCRIPTION: IDRO LKX4 1310 M 230/50  
LWS

VALID FROM: 10/06/2004      VALID TILL: 01/01/3000

GROUP CODE: R8621X001      REV.: 1      DESCRIPTION: IDRO LKX4 1310 230/50 TS  
BASE DA FINIRE

VALID FROM: 10/06/2004      VALID TILL: 01/01/3000      TABLE N: E8621X001/01

CODE:	DESCRIPTION:	QTY:	POS.:	RIF1:	RIF2:
4.608.0191	BOARD FRAME NPX 04 BLACK	1	01		
4.608.0204	FRONT PANEL	1	02		
4.608.0164	THERMOSTAT KNOB	2	03		
3.403.0098	ELECT CARD TO STOP GAS OIL FOR	1	04		FLOAT LKX4-NPX4.
3.403.0091	THERMOSTAT 30-150	1	05		
3.105.0003	DETERGENT REGULATING COCK WITH	1	06		RUBBER HOLDER D.7
4.608.0168	ELECTRIC BOX NPX4/LKX4	1	07		
3.102.0005	FB15 GAS OIL FILTER	1	08		
3.401.0106	BIP SWITCH WITH SPY B4D138E11	1	09		100000GO IP65
3.414.0010	COIL 230/50Hz X DIESEL PUMP	1	10		DANFOSS
3.401.0105	MICROSWITCH	1	11		
3.402.0026	REM. CONTROL SWITCH TLR4FC	1	12		
3.499.0129	LED TYPE 81F 220V BLACK-RED	1	13		
3.107.0004	PRESS GAUGE DAM 50 0/250 1/4	1	15		REAR+CLAMP
4.618.0003	GAUGE HOSE 2X630 MAX630BAR	1	16		1/4"FGIR-1/4"FGIR
5.611.0113	FLANGE BURNER COMPLETE RIGHT	1	25		(FOR RILSAN HOSE)
4.614.0004	STANDARDIZED ELECTRODES COUPLE	1	27		WITH ROD
3.100.0075	CONIC CONNECTDN M 1/8 F D 4	1	28		CURVED FOR GAS OIL HOSE
3.099.0015	RING SEEGER ID 21 SP1,2	1	29		
4.608.0002	SLIDE DAM 20 SP 1,8	1	30		
4.605.0001	WROUGHT BURNER FLANGE	1	31		
3.104.0009	GAS OIL NOZZLE 1,50 60A	1	32		
4.608.0210	INLET HOSE DIESEL RILSAN	1	34		
5.609.0126	TRANSFORMER	1	35		
4.607.0011	MOTOR FOOT CLAMP	2	36		
5.609.0023	FAN PROTECTDN CAGE ASSY	1	37		
5.613.0192	HOLDER BOARD/HANDLES	1	39		NPX/LKX 04
4.608.0103	GAS OIL PUMP PROTECTNG CARTER	1	41		
3.099.0028	LEFT FAN	1	42		
3.300.0003	BURNER MOTOR 100W /230/50HZ=C80	1	43		IP.55
3.099.0012	GAS OIL PUMP PLASTIC COUPLNG	1	44		410050
3.100.0075	CONIC CONNECTDN M 1/8 F D 4	1	45		CURVED FOR GAS OIL HOSE
3.551.0003	FUEL PUMP WITH EL 220/50 D. DX	1	46		BIT
3.004.0015	GLIDED WASHER D 22X39 UNI I6592	2	47		ZNT
4.606.0013	COIL FIXING NUT 1/2" BRASS SPE	2	48		C.
5.611.0067	TEKNA 95 GAS OIL FILTER UNIT	1	49		
4.618.0035	TUBE R1 PUMP/COIL TG 480	1	50		
4.618.0043	HOSE	1	51		
5.611.0012	EXTERNAL BURNER COVER DAM 341	1	52		
5.613.0147	NOX EXTERNAL BURNER COVER	1	56		
5.610.0105	DEFLECTOR D.82	1	57		
5.613.0028	CHIMNEY COMB. CHAMB. INWARD COVE	1	58		R L=120
4.604.0003	LOW COIL H 415 (FE	1	59		.35 2)
5.613.0199	BOILER PAINTED LKX 04	1	60		
4.608.0116	REFRACTORY GROUND D 290X20	1	62		FOR BURNER
4.607.0006	COIL FIXING STRIP PLATE 20/1	1	63		0
4.608.0162	L990 INSULATING ROPE FOR	1	64		BOILER BASE
5.613.0116	BOILER BASE	1	65		
3.004.0004	ALUMINIUM WASHER 21X30XSP 1,5	1	85		
5.609.0128	BULB THERMOSTAT SET	1	87		
4.606.0087	BULB ASSY	1	91		
3.100.0020	REDUCTDN M GAS M GAS 1/2-3/8	1	92		
5.613.0191	THERMOSTAT PROBE SUPPORT	1	93		
4.606.0019	SUCTDN CONNECTOR M22 IDRO COM	1	94		FACT
4.008.0031	SUCTDN FILTER H 20 D 16 TAPER	1	95		
4.006.0088	SUCTDN ADAPTOR M 22 3/4 E	1	96		SP.1

# SPARE PARTS LIST

CODE:8.621.0001

REV.:1

DESCRIPTION: IDRO LKX4 1310 M 230/50  
LWS

VALID FROM: 10/06/2004

VALID TILL: 01/01/3000

4.618.0030	TUBE B.P.D 20X10 3/8M-3/8M .L	450	1	97		
3.100.0018	RAPID COUPLNG 3/8"M .08 (465	)	1	98		