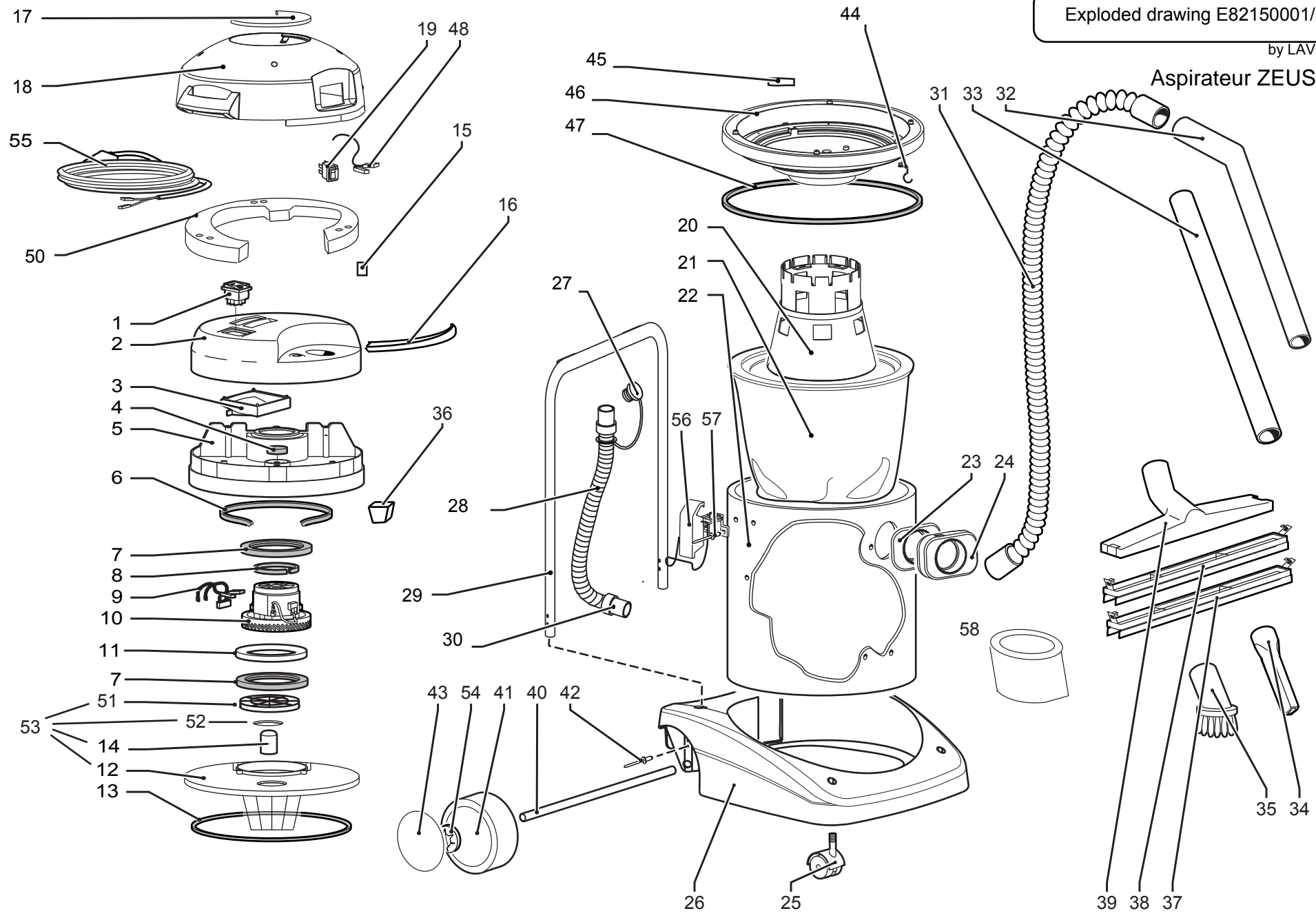


Exploded drawing E82150001/01

by LAVORWASH

Aspirateur ZEUS PF 03



SPARE PARTS LIST

Aspirateur ZEUS PF 03

CODE:8.215.0001 REV.:1 DESCRIPTION:ASPIRATORE ZEUS IF-03 '03 230/
50 EU LWS

VALID FROM: 18/06/2003 VALID TILL: 01/01/3000

GROUP CODE: R82150001 REV.: 1 DESCRIPTION:ASPIRATORE ZEUS IF-03 '03 230
50 EU LWS

VALID FROM: 18/06/2003 VALID TILL: 01/01/3000 TABLE N: E82150001/01

CODE:	DESCRIPTION:	QTY':	POS.:	RIF1:	RIF2:
3.401.0129	CAP ILR 35x25	1	01		
4.208.0024	BLACK HEAD FOR VACUUM	1	02		
4.208.0001	HANDLE SEAT FOR VACUUM	CLEANER	1	03	
4.215.0008	CORK PL/45 D.51 SP.8 ESP.00		1	04	
4.208.0256	CONVEYER FOR VACUUM CLEANER	-G- x ZEUS	1	05	
4.215.0065	GASKET FOR CONVEYER ZEUS	400x30x8sp	1	06	
4.208.0028	RUBBER GASKET FOR UNIV. MOTOR		2	07	
4.215.0003	FAN COVER GASKET 190X12X3		1	08	
4.212.0020	CABLE AWM 1015 16AWG 105Gr	L=500 + NO STATIC ELECT.SYSTEM	1	09	
3.755.0004	BRUSH MOTOR 230/50-60HZ		1	10	
4.215.0007	CIRCULAR GASKET PPI 30		1	11	
4.208.0026	BLACK UNDER HEAD		1	12	
3.299.0006	LOWER CAP GASKET		1	13	
4.007.0239	DISK D.56 FOR FLOATING GNXC/FI	LTER ESP.1	1	14	
4.208.0017	FLOAT FOR HEAD		1	14	
4.008.0008	CAPACITOR CHOCK		1	15	
4.215.0062	SPONGE MTP 30 25x20xsp.20		1	16	
4.208.0040	HANDLE FOR PROFESSIONAL	VACUUM CLEANER-BLUE	1	17	
4.208.0131	UPPER HEAD FOR ZEUS'03 WITH	1 INTERRUPTER (BLUE)	1	18	
5.009.0213	ASS.SWITCH+TRANSPARENT	PROTECTION	1	19	
4.208.0135	CONE TO EXTEND THE FILTER FOR	V.C.'03 (BLACK)	1	20	
5.209.0052	CLOTH FILTER + RING x ZEUS		1	21	
3.751.0013	INOX DRUM FOR ZEUS AISI 430BA	ESP.00	1	22	
3.099.0455	GASKET FOR VACUUM CLEANER WITH	NOZZLE DIAM.40	1	23	
3.752.0075	COMPLETE NYLON NOZZLE D.40		1	24	
3.006.0058	WHEEL PIV. D.60 H82 M10x20 XEC	O VERSION (A122211TGN)	2	25	
4.208.0090	BASEMENT FOR ZEUS '03 ECO		1	26	
4.208.0274	DIAM.32mm CAP FOR EXIT HOSE +	BLOCK RING	1	27	
4.208.0235	CLIP FOR DETERGENT HOSE		1	27	
3.753.0024	BLACK EXIT HOSE 0,68m D.28	(rif.918569028A901)	1	28	
4.207.0024	METAL BLACK HILT FOR ZEUS		1	29	
3.100.0137	CONNECTOR 1" 90degree x HOSE	D.32 (rif.113433)	1	30	
3.200.0147	GASKET 1" (rif.G40004)		3	30	
3.100.0138	FERRULE 1" (rif.2052040)		1	30	
5.209.0021	COMPLETE FLEX HOSE MT.2.5	D.40	1	31	
3.753.0019	STEEL CURVED HOSE D.38.2		1	32	
3.753.0020	STEEL HOSE D.38.2		1	33	
3.754.0048	FLAT LANCE D.40 FOR	ZEUS-DOMUS-TAURUS	1	34	
3.754.0049	ROUND BRUSH D.40 FOR	ZEUS-DOMUS-TAURUS	1	35	
4.215.0056	SPONGE FOR ZEUS PPI30	90x90xh30	1	36	
3.754.0085	ACCESSORY FOR LIQUID L=400	(TO INSERT IN BRUSH)	1	37	
3.754.0084	ACCESSORY WITH BRISTLES L=400	(TO INSERT IN BRUSH)	1	38	
3.754.0083	BRUSH D.37 L=400mm		1	39	
4.207.0005	WHEELS AXLE FOR ZEUS-DOMUS-TAU	RUS D.15 L.490	1	40	
3.006.0057	WHEEL D. 175X48 HOLE 15 RIV.AN	TI-TRACE COVERING	2	41	
3.099.0797	STAINLESS PIN		4	42	
3.099.0082	COVER FOR WHEEL		2	43	
4.207.0025	REED FOR NO STATIC ELECT. KIT		1	44	
4.008.0277	FIX PAD CABLE HOLDER		1	45	
4.208.0260	COVER CAP FOR DRUM (ZEUS)	-BLUE-	1	46	
4.215.0019	GASKET 348x382 5mm=sp. x ZEUS		1	47	
4.012.0142	NO DISTURBANCE FILTER MOD.AV.	1.40.00 MKTx2,22mF K275V	1	48	
4.215.0061	DIVIDING SPONGE FOR ZEUS HEAD	sp.30	1	50	
4.208.0027	DISK TO SUSTAIN THE MOTOR		1	51	
4.208.0018	GASKET FOR FLOAT		1	52	
5.211.0003	LOWER BLACK CALOTTE		1	53	
3.099.0020	DIAM.150 WHEEL D.15 CLIP		2	54	

SPARE PARTS LIST

Aspirateur ZEUS PF 03

CODE:8.215.0001

REV.:1

DESCRIPTION: ASPIRATORE ZEUS IF-03 '03 230/
50 EU LWS

VALID FROM: 18/06/2003

VALID TILL: 01/01/3000

4.012.0110	ELECT. CABLE H05VV-F 2x0,75	7.m F/F SCHUKO	1	55		
3.099.0454	HOOK 2.05/621 ZNT FOR	BODY TAURUS '03	2	56		
3.002.0589	SCREW TCTC AUTOF. 4,8x19 INOX	UNI 6954	2	57		
3.752.0032	SPONGE FILTER		1	58		