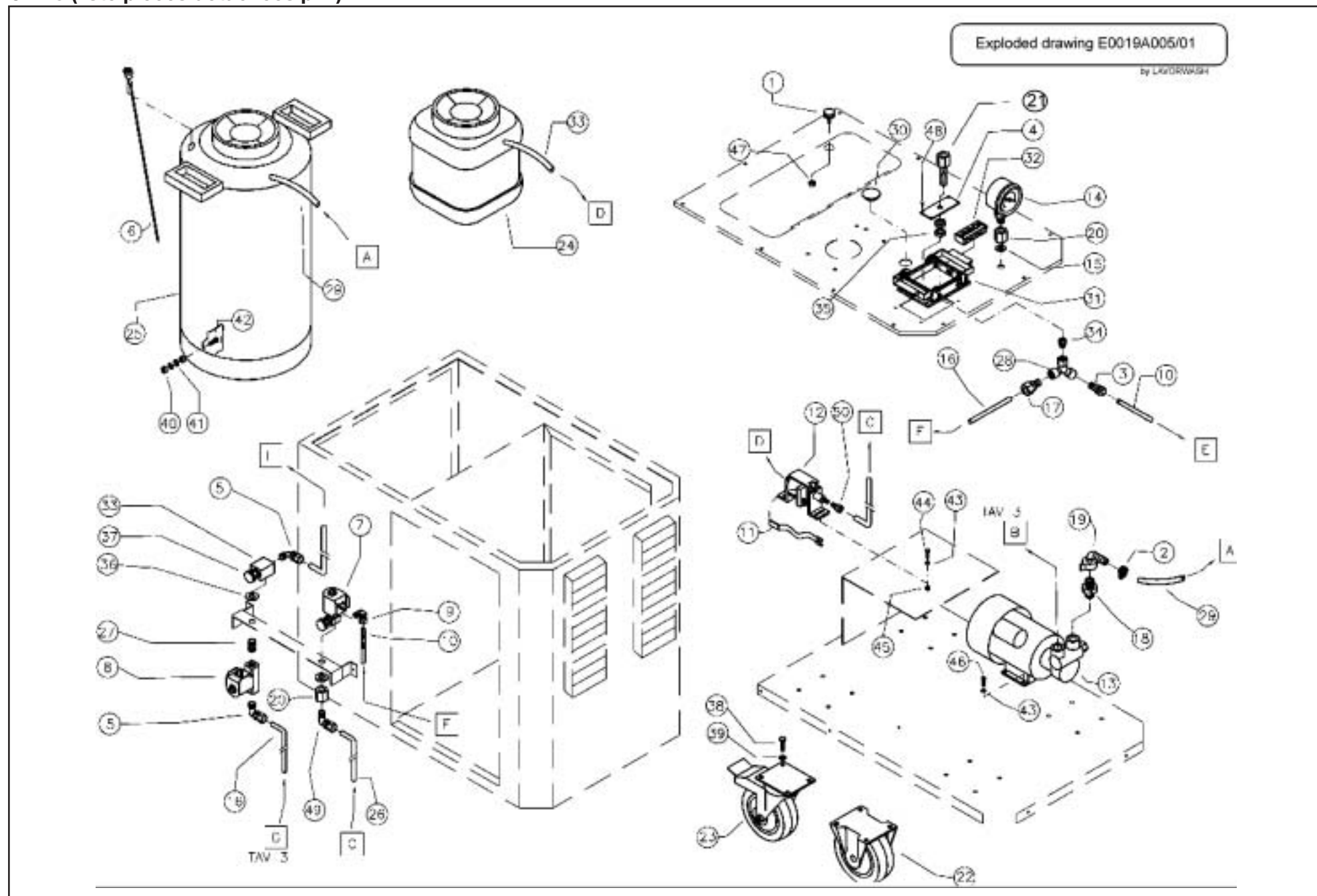


GV 18 (liste pièces détachées p. 1)



# SPARE PARTS LIST

CODE: 0.019.0003      REV.: 2      DESCRIPTION: GENERATORE DI VAPORE GV 18  
400-415/50 (Z601800MA40L)

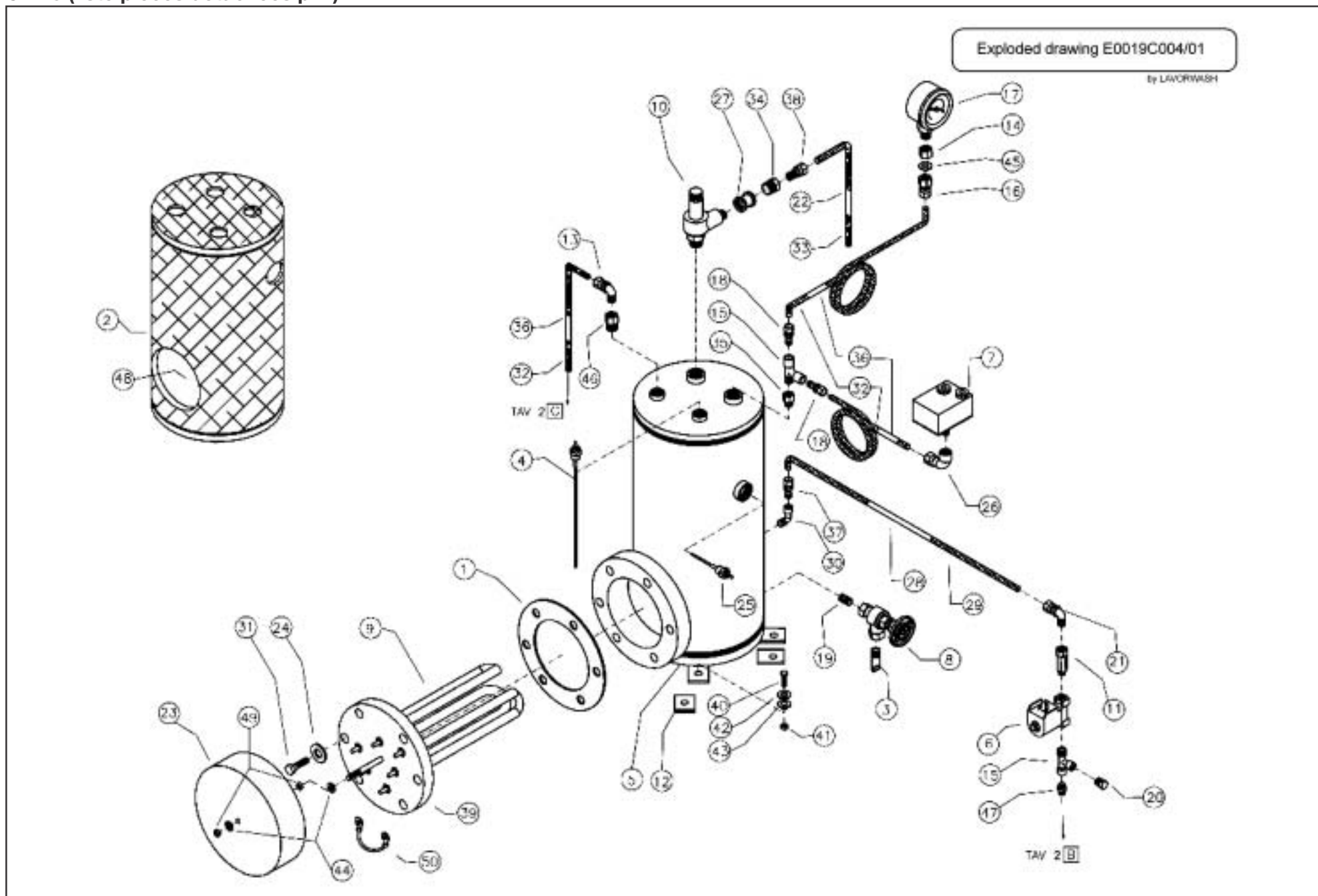
VALID FROM: 29/09/03      VALID TIL: 01/01/3000

GROUP CODE: R0019A002      REV.: 2      DESCRIPTION: GENERATORE DI VAPORE PROF.  
400-415/50 MOD.GV15

VALID FROM: 29/09/03      VALID TIL: 01/01/3000      TABLE N: E0019A005/01

CODICE:	DESCRIZIONE:	Q.TA':	POS.:	RIF1:	RIF2:
0.914.0204	HANDLE M6x10 3032003	1	01		
0.914.0381	CLAMP	1	02		
0.914.0382	CONNECTION 1/4 COPPER 6	1	03		
0.914.0184	ST.STEEL STEAM INTAKE PLATE	1	04		
0.914.0383	CONNECTION 1/4 COPPER 8	2	05		
0.914.0384	WATER TANK PROBE 33cm	1	06		
0.914.0022	EL.VALVE DETERG. REG. 230/50-6	1	07		
0.914.0023	EL.V STEAM REG. D.2.8 230/60HZ	1	08		
0.914.0240	ELBOW 1/4" COPPER 6 3026023	1	09		
0.914.0255	COPPER TUBE D.6 3035014	1	10		
0.914.0279	PUMP THERMOSTATS 3012017	1	11		
0.914.0047	DETERGENT PUMP CEME ENG.ET-00	3019112	1	12	
0.914.0462	DETAIL for MICRO DETERGENT SUP	1	13		
0.914.0066	MANOMETER COUPLING REP.1/4 SC	1	14		
0.914.0385	WASHER	1	15		
0.914.0386	COPPER HOSE D.8	2	16		
0.914.0387	CONNECTION 1/4 COPPER 8	1	17		
0.914.0388	PLASTIC NIPPLE	1	18		
0.914.0389	PLASTIC HOSE HOLDER	1	19		
0.914.0390	NIPPLE REDUCER	3	20		
0.914.0391	FEMALE STEAM INTAKE	1	21		
0.914.0067	FIXED WHEEL D.125 HOLE D.12mod	1	22		
0.914.0069	ADJUSTABLE WHEEL D.80 mod.6005	1	23		
0.914.0013	PLASTIC TANK 5 LT 19x19	1	24		
0.914.0049	PLASTIC WATER TANK 10 LT 19x19	1	25		
0.914.0392	PIN	2	26		
0.914.0393	SEEGER	1	27		
0.914.0394	Y CONNECTION	1	28		
0.914.0395	TUVO VIPLA	2	29		
0.914.0396	WHITE CAP	1	30		
0.914.0397	ILME HOLDER	1	31		
0.914.0179	STEAM PLUG	1	32		
0.914.0442	HOSE	2	33		
0.914.0257	REDUCER 1/4" 1/8" 3026017	1	34		
0.914.0443	BRASS NUT	2	35		
0.914.0268	COPPER RONDELLE 1/5" 3029215	2	36		
0.914.0144	STEAM REGULATION KNOB (ref.160	0360)	2	37	
0.914.0463	MAGNETIC STEAM SWITCH FOR 6000	4	38		
0.914.0445	LOCK WASHER FOR SMALL WHEEL	4	39		
0.914.0278	NUT M4 3029321	2	40		
0.914.0375	LOCK WASHER	2	41		
0.914.0376	SCREW	1	42		
0.914.0248	LOCK WASHER D.5XD.15 3029405	2	43		
0.914.0446	SMALL PUMP SCREW	4	44		
0.914.0251	NUT M5 MEDIUM 3029299	2	45		
0.914.0447	LARGE PUMP SCREW	2	46		
0.914.0448	SMALL KNOB NUT	1	47		
0.914.0269	N.4 SCREWS M3x10 3029106	4	48		
0.914.0449	PISTON BODY GUIDE D.14 (VALV.3	1	49		
0.914.0464	NEODIMIO PISTOL MAGNET 6000	1	50		

GV 18 (liste pièces détachées p. 2)



# SPARE PARTS LIST

CODE: 0.019.0003      REV.: 2      DESCRIPTION: GENERATORE DI VAPORE GV 18  
400-415/50 (Z601800MA40L)

VALID FROM: 29/09/03      VALID TIL: 01/01/3000

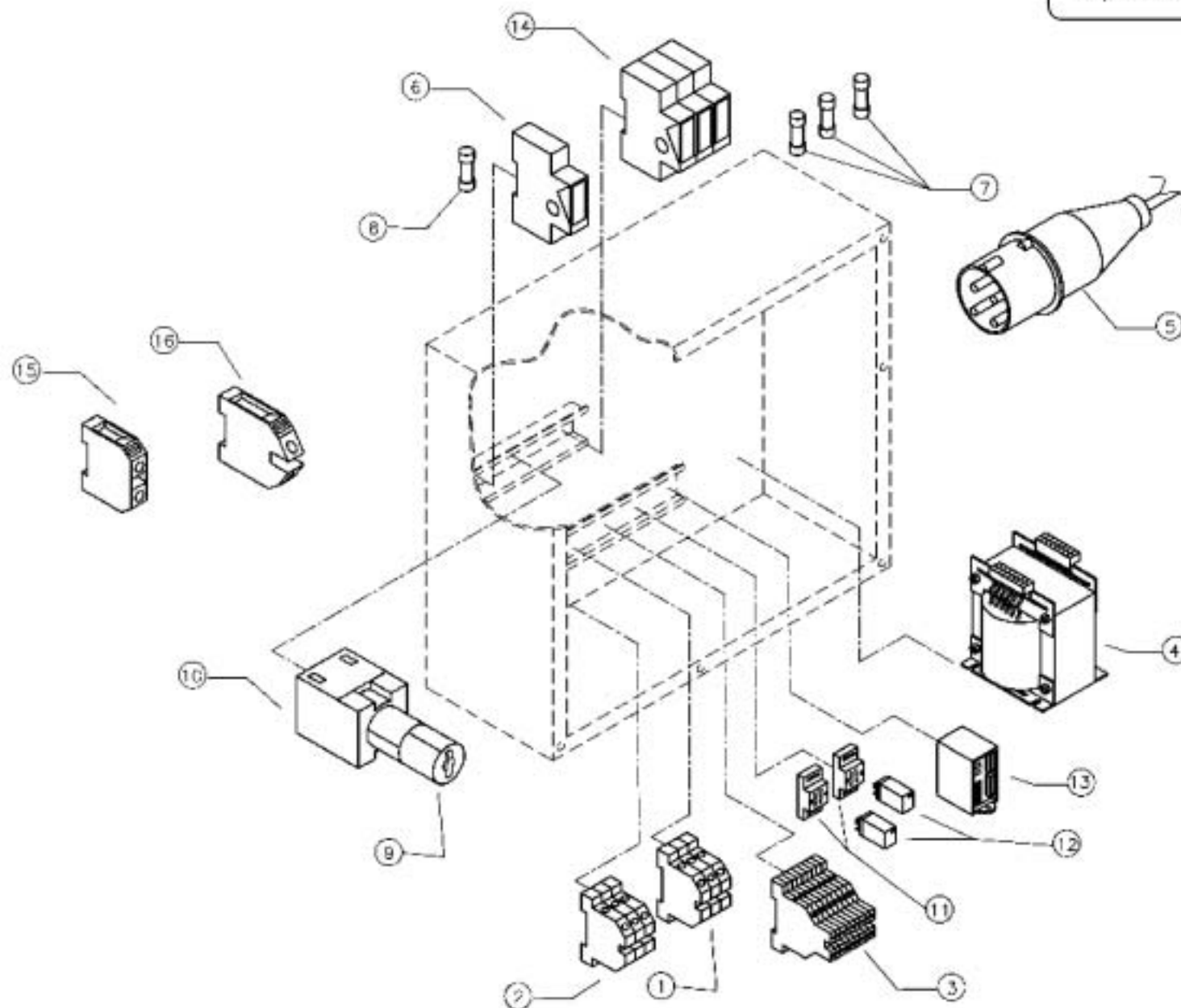
GROUP CODE: R0019C006      REV.: 1      DESCRIPTION: CALDAIA

VALID FROM: 29/09/03      VALID TIL: 01/01/3000      TABLE N: E0019C004/01

CODICE:	DESCRIZIONE:	Q.TA':	POS.:	RIF1:	RIF2:
0.914.0433	SMALL VETROTEX HOSE D.12	0,408			
0.914.0026	PUMP THERMOSTATS	1	01		
0.914.0465	SLEEVE	1	02		
0.914.0398	ST.STEEL PLIERS	1	03		
0.914.0035	PUMP CEME MTP200	1	04		
0.914.0041	COPPER HOSE D8	1	05		
0.914.0153	WATER LOAD ELEC.VALVE D.2.8-1/	1	06		
0.914.0046	PRESSURE SWITCH 5-16 BAR 1-3.5	1	07		
0.914.0044	SQUARE VALVE 3/8 TEF/GRAPHITE	1	08		
0.914.0030	DETERGENT PUMP CEME ENG.ET-00	1	09		
0.914.0036	SAFETY VALVE 1/2 T.AR.12	1	10		
0.914.0037	WATER RETENTION VALVE 1/4	1	11		
0.914.0260	INSULATING STRIP 1600610	1	12		
0.914.0383	CONNECTION 1/4 COPPER 8	1	13		
0.914.0390	NIPPLE REDUCER	1	14		
0.914.0466	INSULATING SLEEVE	1	15		
0.914.0400	STRAIGHT CONNECTION F1/4 COPPE	1	16		
0.914.0066	MANOMETER COUPLING REP.1/4 SC	1	17		
0.914.0387	CONNECTION 1/4 COPPER 8	2	18		
0.914.0402	NIPPLE 3/8	1	19		
0.914.0401	CAP M3/8	1	20		
0.914.0467	HOSE HOLDER	1	21		
0.914.0403	COPPER HOSE D.12	1	22		
0.914.0468	BAND	1	23		
0.914.0385	WASHER	6	24		
0.914.0045	THERMORESISTANCE PT100 CABLE L	1	25		
0.914.0383	CONNECTION 1/4 COPPER 8	2	26		
0.914.0407	GALVANIZED SLEEVE 1/2	1	27		
0.914.0253	COPPER TUBE D.10 3035016	1	28		
0.914.0254	GLASS SLEEVE D.10 FOR COPPER 1	2	29	0303004	
0.914.0406	M/F ELBOW SHINY 3/8	1	30		
0.914.0469	STRAIGHT CONNECTION Pg21	6	31		
0.914.0411	SMALL VETROTEX HOSE D8	1	32		
0.914.0433	SMALL VETROTEX HOSE D.12	1	33		
0.914.0434	REDUCER	1	34		
0.914.0470	ANTENNA HOSE AND PISTOL SUPPOR	1	35		
0.914.0386	COPPER HOSE D.8	1	36		
0.914.0471	STRAIGHT CONNECTION Pg21	1	37		
0.914.0472	REDUCER M Pg29-F Pg21	1	38		
0.914.0025	COPPER TUBE D.6	1	39		
0.914.0436	SCREW TE M8	1	40		
0.914.0437	NUT M8	2	41		
0.914.0438	WASHER	2	42		
0.914.0439	BUSH	2	43		
0.914.0226	STAINLESS STEEL RONDELLE 30293	17	44		
0.914.0385	WASHER	1	45		
0.914.0440	EXTENSION 3/8	1	46		
0.914.0474	ST.STEEL SPRING HOLDER PLATE	1	47		
0.914.0441	CERAMIC FIBRE	1	48		
0.914.0448	SMALL KNOB NUT	3	49		

Exploded drawing E0019E004/01

by LAVORWASH



## SPARE PARTS LIST

CODE: 0.019.0003      REV.: 2      DESCRIPTION: GENERATORE DI VAPORE GV 18  
400-415/50 (Z601800MA40L)

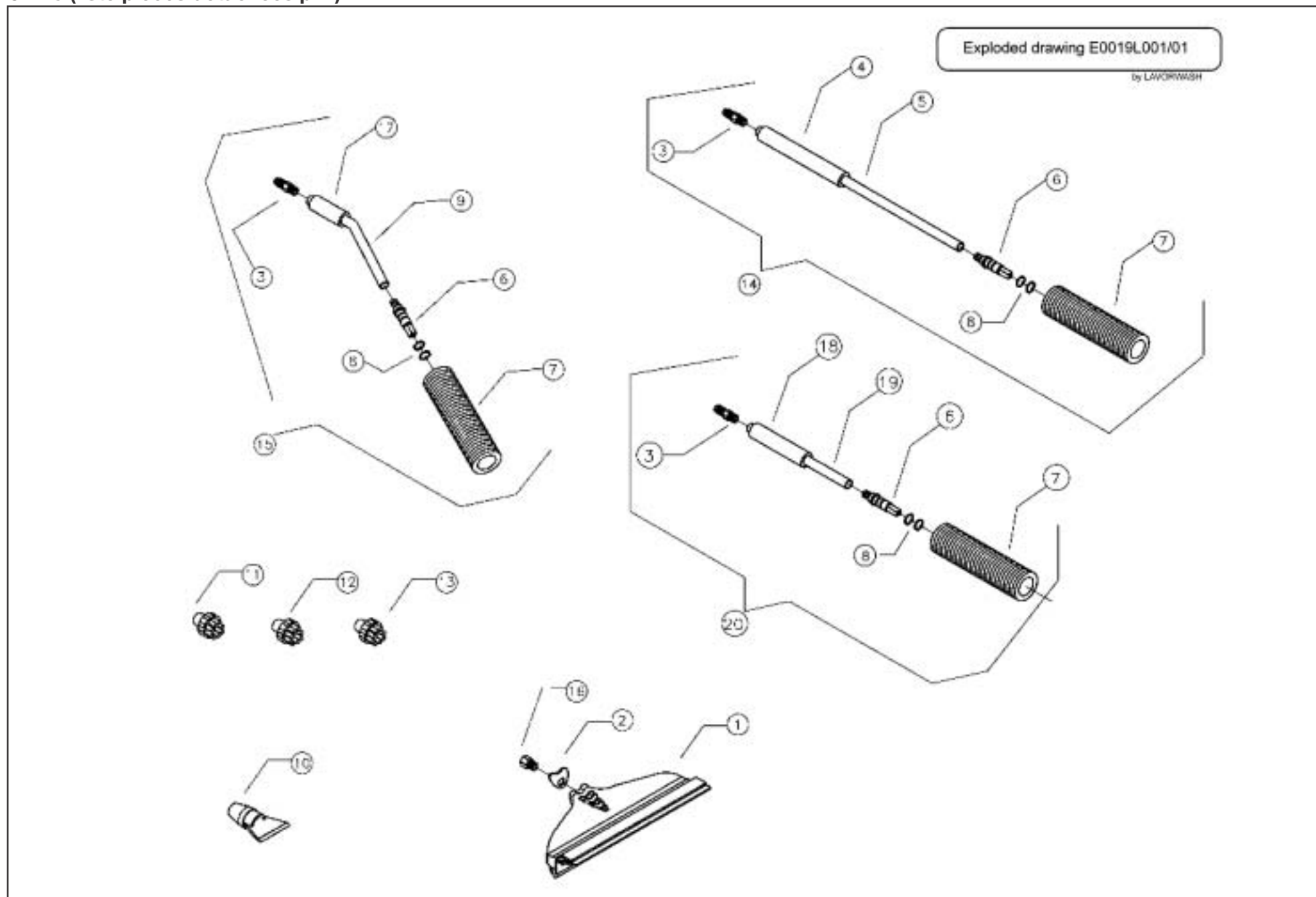
VALID FROM: 29/09/03      VALID TIL: 01/01/3000

GROUP CODE: R0019E009      REV.: 1      DESCRIPTION: IMPIANTO ELETTRICO PRINCIPALE

VALID FROM: 29/09/03      VALID TIL: 01/01/3000      TABLE N: E0019E004/01

CODICE:	DESCRIZIONE:	Q.TA':	POS.:	RIF1:	RIF2:
0.914.0476	BAND	3	01		
0.914.0477	STEAM PLUG	3	02		
0.914.0412	DOUBLE TERMINAL BEIGE	9	03		
0.914.0478	BRASS NUT	1	04		
0.914.0479	PLUG CORE 16P PISTOL SIDE	1	05		
0.914.0281	FUSE HOLDER 3008021	1	06		
0.914.0135	LOCK WASHER D.5XD.15	3	07		
0.914.0413	FUSE	1	08		
0.914.0414	EXTENSION FOR GEN. SWITCH	1	09		
0.914.0482	HEAT INSULATOR FOR COVER	1	10		
0.914.0416	RELAY BASEBOARD	1	11		
0.914.0055	FIXED WHEEL D.125 HOLE D.12 mo	1	12		
0.914.0017	LEVEL REGULATION CIRCUIT BOARD	1	13	3027002	
0.914.0483	MALE STEAM INTAKE	1	14		
0.914.0484	O-RING	1	15		
0.914.0485	O-RING WASHER 108 VITON	1	16		

GV 18 (liste pièces détachées p. 4)



# SPARE PARTS LIST

CODE: 0.019.0003      REV.: 2      DESCRIPTION: GENERATORE DI VAPORE GV 18  
400-415/50 (Z601800MA40L)

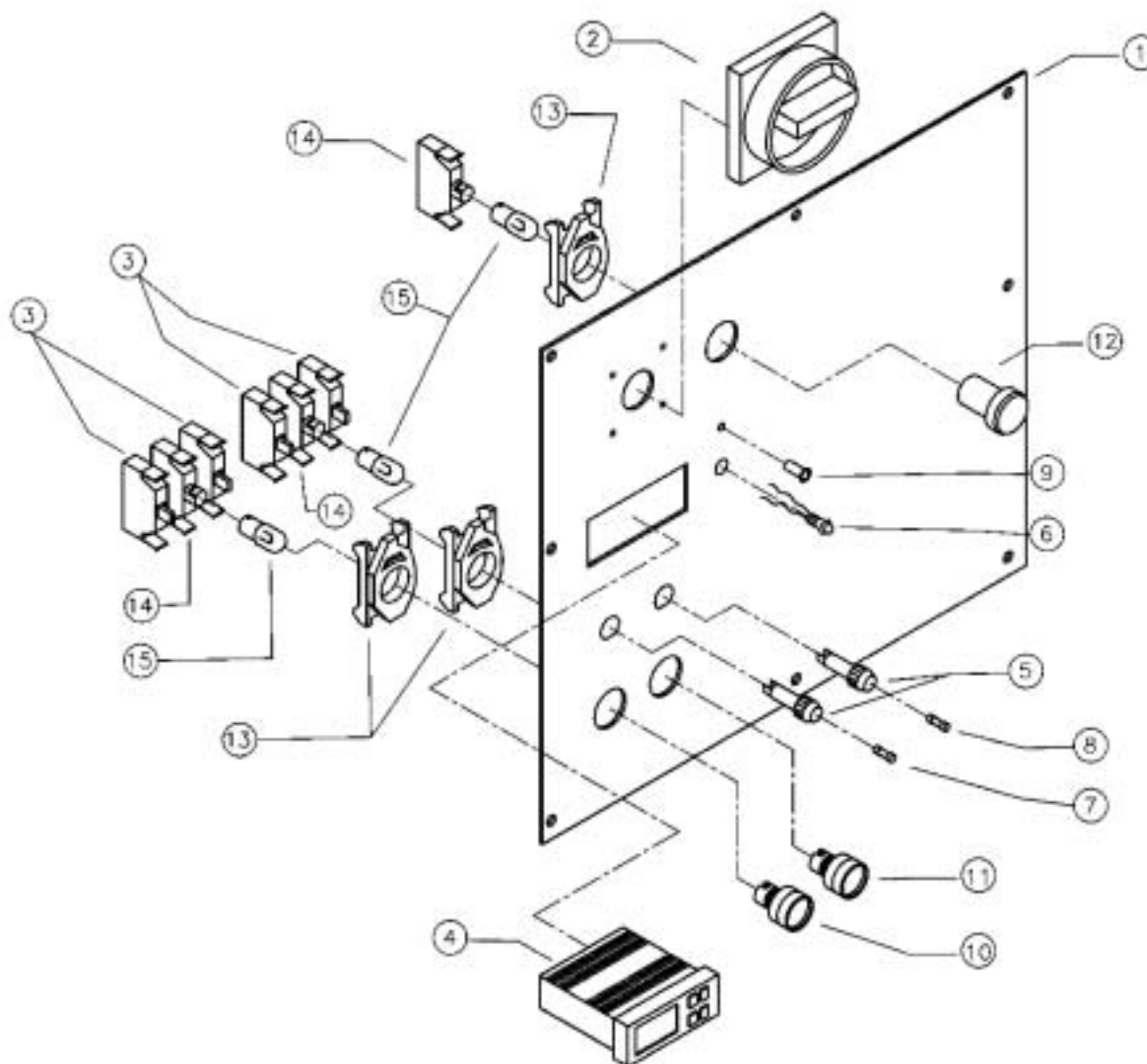
VALID FROM: 29/09/03      VALID TIL: 01/01/3000

GROUP CODE: R0019L003      REV.: 1      DESCRIPTION: LANCIE E ACCESSORI

VALID FROM: 29/09/03      VALID TIL: 01/01/3000      TABLE N: E0019L001/01

CODICE:	DESCRIZIONE:	Q.TA':	POS.:	RIF1:	RIF2:
0.914.0021	COMPLETE GLASS WIPER 1601593	1	01		
0.914.0357	PLAQUE	1	02		
0.914.0082	STEAM REGULATION KNOB	3	03		
0.914.0358	BLACK SILICONE HOSE	2	04		
0.914.0359	HOSE L=425	1	05		
0.914.0360	ENTRY TERMINAL	2	06		
0.914.0085	HANDLE D.40 PTEE+PTFE	2	07		
0.914.0133	O-RING WASHER 108 VITON	4	08		
0.914.0361	HOSE L=202 45degree	1	09		
0.914.0004	BLACK PLASTIC SCRAPER L=50	1600440	10		
0.914.0007	NYLON BRISTLE BRUSH DIAM 30	1600390	11		
0.914.0005	STEEL BRISTLE BRUSH DIAM. 30	1600520	12		
0.914.0006	BRASS BRISTLE BRUSH DIAM. 30	1600530	13		
0.914.0487	STRAIGHT NOZZLE L=175	1	14		
0.914.0491	O-RING	1	15		
0.914.0257	REDUCER 1/4" 1/8" 3026017	1	16		
0.914.0494	BLACK SILICONE HOSE	1	17		
0.914.0495	BLACK SILICONE HOSE	1	18		
0.914.0418	STEEL HOSE L=175	1	19		
0.914.0497	SCREW	1	20		

Exploded drawing E0019P004/01  
by LAFFONASH



# SPARE PARTS LIST

CODE: 0.019.0003      REV.: 2      DESCRIPTION: GENERATORE DI VAPORE GV 18  
400-415/50 (Z601800MA40L)

VALID FROM: 29/09/03      VALID TIL: 01/01/3000

GROUP CODE: R0019P006      REV.: 1      DESCRIPTION: PANNELLO DI CONTROLLO

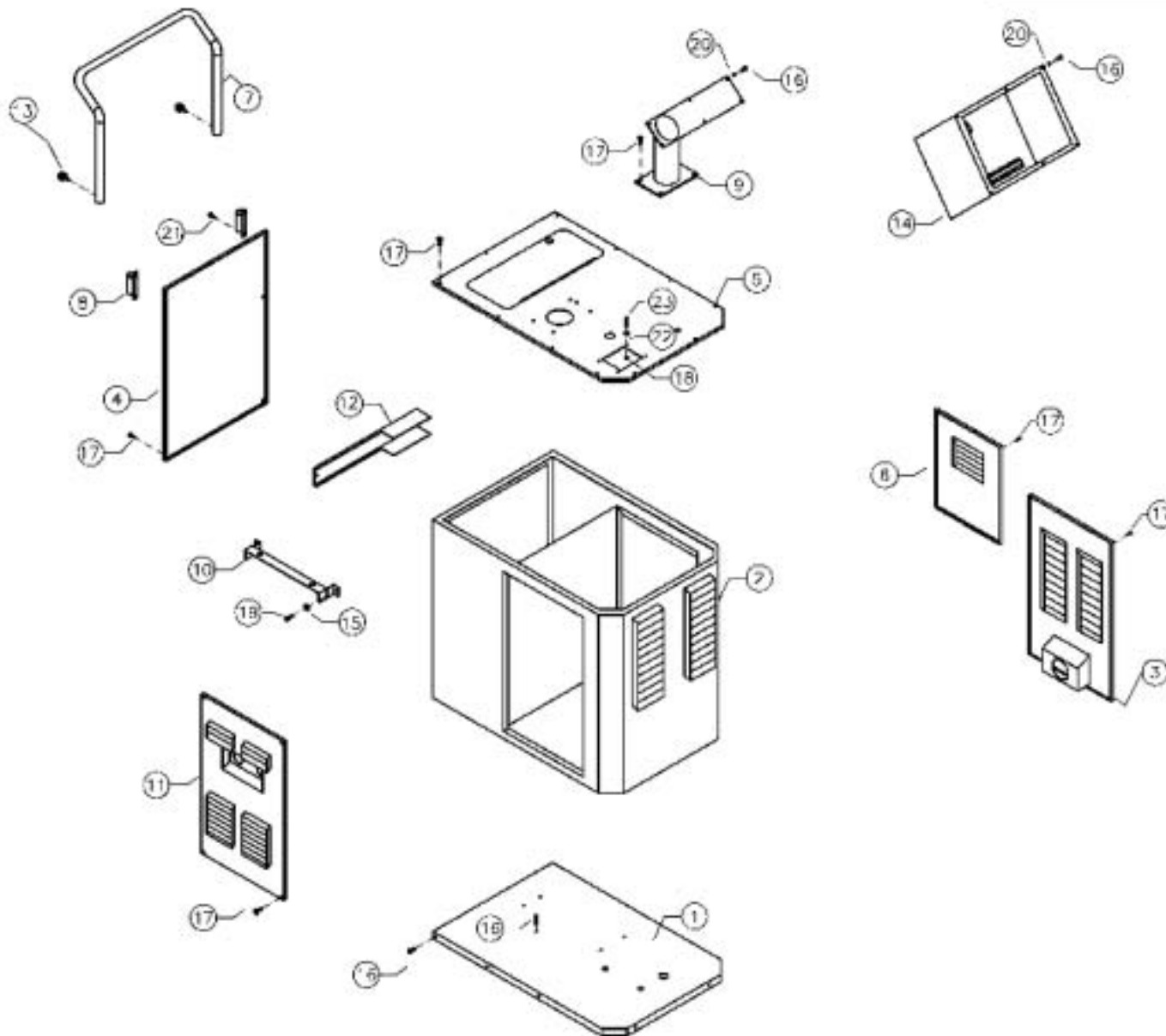
VALID FROM: 29/09/03      VALID TIL: 01/01/3000      TABLE N: E0019P004/01

CODICE:	DESCRIZIONE:	Q.TA':	POS.:	RIF1:	RIF2:
0.914.0475	REDUCER M Pg36-F Pg29	1	01		
0.914.0145	GENERAL SWITCH INDICATOR (ref. 3009042)	1	02		
0.914.0351	SWITCH CONTACT	4	03		
0.914.0056	HEAT REGULATOR TDH 01-GD	1	04		
0.914.0352	FUSE HOLDER	2	05		
0.914.0057	LED WATER LEVEL INDICATOR	2	06		
0.914.0353	FUSE	1	07		
0.914.0354	FUSE	1	08		
0.914.0235	RIVETS 3041008	1	09		
0.914.0058	LUMINOUS GREEN BOILER SWITCH D	1	10		
0.914.0059	LUM. ORANGE SWITCH+PISTOL ENAB	1	11		
0.914.0168	TRANSP.INDICATOR LIGHT	1	12		
0.914.0355	CONTACTS HOLDER	3	13		
0.914.0356	CONTACT LAMP HOLDER	3	14		
0.914.0169	MICRO LAMP FOR V/G SWITCH	3	15		

GV 18 (liste pièces détachées p. 6)

Exploded drawing E0019S004/01

by LAYOFFWASH



# SPARE PARTS LIST

CODE: 0.019.0003      REV.: 2      DESCRIPTION: GENERATORE DI VAPORE GV 18  
400-415/50 (Z601800MA40L)

VALID FROM: 29/09/03      VALID TIL: 01/01/3000

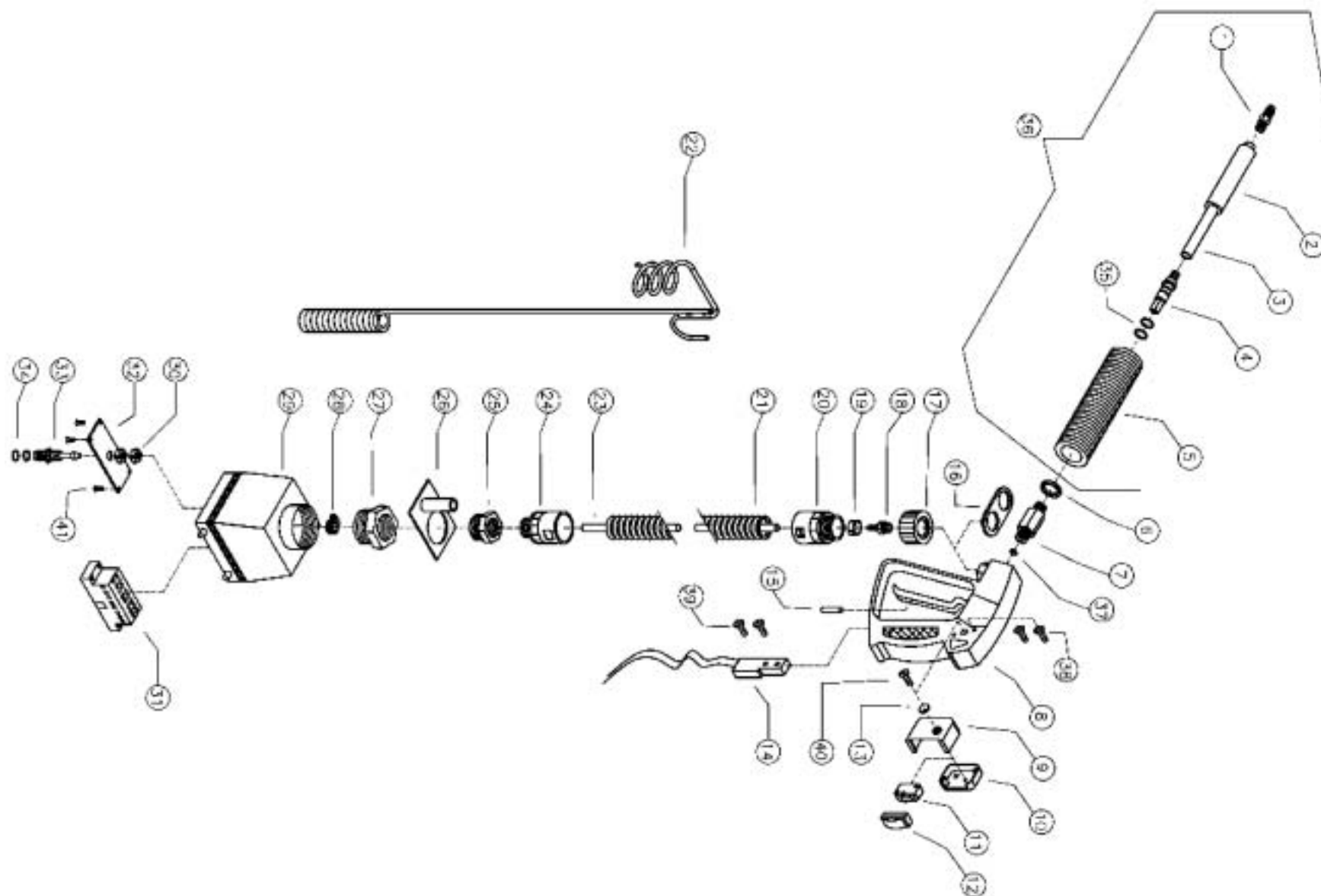
GROUP CODE: R0019S004      REV.: 1      DESCRIPTION: STRUTTURA IN LAMIERA

VALID FROM: 29/09/03      VALID TIL: 01/01/3000      TABLE N: E0019S004/01

CODICE:	DESCRIZIONE:	Q.TA':	POS.:	RIF1:	RIF2:
0.914.0450	ST.STEEL NOZZLE GV 18 d.2.9mm	1	01		
0.914.0451	BLACK SILICONE HOSE	1	02		
0.914.0452	STEEL HOSE L=175	1	03		
0.914.0453	TERMINAL ENTRY	1	04		
0.914.0454	GRIP D.40 PETT+PTFE	1	05		
0.914.0455	TEFLON WASHER	1	06		
0.914.0456	BRASS NIPPLE	1	07		
0.914.0369	ST.STEEL HANDLE SUPPORT	1	08		
0.914.0457	PISTOL BODY	1	09		
0.914.0458	DETAIL for MICRO DETERGENT SUP	1	10		
0.914.0459	DETAIL for MICRO DETERGENT SUP	1	11		
0.914.0460	DETERGENT SWITCH for 6000	1	12		
0.914.0204	HANDLE M6x10 3032003	2	13		
0.914.0461	DETAIL for MICRO DETERGENT SUP	1	14		
0.914.0375	LOCK WASHER	2	15		
0.914.0338	SCREW 5x10	24	16		
0.914.0210	TBEI SCREW M5X20 3029376	29	17		
0.914.0278	NUT M4 3029321	4	18		
0.914.0376	SCREW	2	19		
0.914.0379	LOCK WASHER	14	20		
0.914.0378	SCREW	4	21		
0.914.0375	LOCK WASHER	8	22		
0.914.0380	SCREW	4	23		
0.914.0060	ANTENNA HOSE AND PISTOL SUPPOR	1	24		

Exploded drawing E0019003/01

by LEVORON



# SPARE PARTS LIST

CODE: 0.019.0003      REV.: 2      DESCRIPTION: GENERATORE DI VAPORE GV 18  
400-415/50 (Z601800MA40L)

VALID FROM: 29/09/03      VALID TIL: 01/01/3000

GROUP CODE: R0019V005      REV.: 1      DESCRIPTION: SPINA VAPORE

VALID FROM: 29/09/03      VALID TIL: 01/01/3000      TABLE N: E0019V003/01

CODICE:	DESCRIZIONE:	Q.TA':	POS.:	RIF1:	RIF2:
5.007.0048	PISTON BODY GUIDE D.14 (VALV.3 ,75-2,26)	1			
0.914.0082	STEAM REGULATION KNOB	1	01		
0.914.0358	BLACK SILICONE HOSE	1	02		
0.914.0418	STEEL HOSE L=175	1	03		
0.914.0360	ENTRY TERMINAL	1	04		
0.914.0085	HANDLE D.40 PTEE+PTFE	1	05		
0.914.0419	TEFLON WASHER	1	06		
0.914.0420	BRASS NIPPLE	1	07		
0.914.0421	PISTON BODY	1	08		
0.914.0349	DETAIL for SUPPORT MICRO DETER	1	09		
0.914.0348	DETAIL for SUPPORT MICRO DETER	1	10		
0.914.0065	DETERGENT SWITCH FOR 5000	1	11		
0.914.0346	DETAIL for SUPPORT MICRO DETER	1	12		
0.914.0347	DETAIL for SUPPORT MICRO DETER	1	13		
0.914.0063	MAGNETIC STEAM SWITCH FOR 6000	1	14		
0.914.0064	NEODIMIO PISTON MAGNET 6000	1	15		
0.914.0422	WASHER	1	16		
0.914.0423	INSULATING SLEEVE	1	17		
0.914.0424	HOSE HOLDER	1	18		
0.914.0425	BAND	1	19		
0.914.0180	STRAIGHT CONNECTION Pg21	1	20		
0.914.0060	ANTENNA HOSE AND PISTON SUPPOR	1	22		
0.914.0180	STRAIGHT CONNECTION Pg21	1	24		
0.914.0183	REDUCER M Pg29-F Pg21	1	25		
0.914.0181	ST.STEEL SPRING HOLDER PLATE	1	26		
0.914.0182	REDUCER M Pg36-F Pg29	1	27		
0.914.0266	BAND 3031023	1	28		
0.914.0179	STEAM PLUG	1	29		
0.914.0428	BRASS NUT	1	30		
0.914.0175	PLUG CORE 16P PISTON SIDE	1	31		
0.914.0187	HEAT INSULATOR FOR COVER 16031	90	32		
0.914.0185	MALE STEAM INLET	1	33		
0.914.0429	O-RING	2	34		
0.914.0133	O-RING WASHER 108 VITON	2	35		
0.914.0076	STRAIGHT NOZZLE L=175	1602773	36		
0.914.0430	O-RING	1	37		
0.914.0431	SCREW	2	38		
0.914.0297	SELF LOCKING SCREW 3.5x13 TS C	ROSS A2 3029311	39		
0.914.0432	SCREW	1	40		
0.914.0269	N.4 SCREWS M3x10 3029106	4	41		