



SANTOEMMA S.r.l.

Fabbrica macchine pulizia industriale

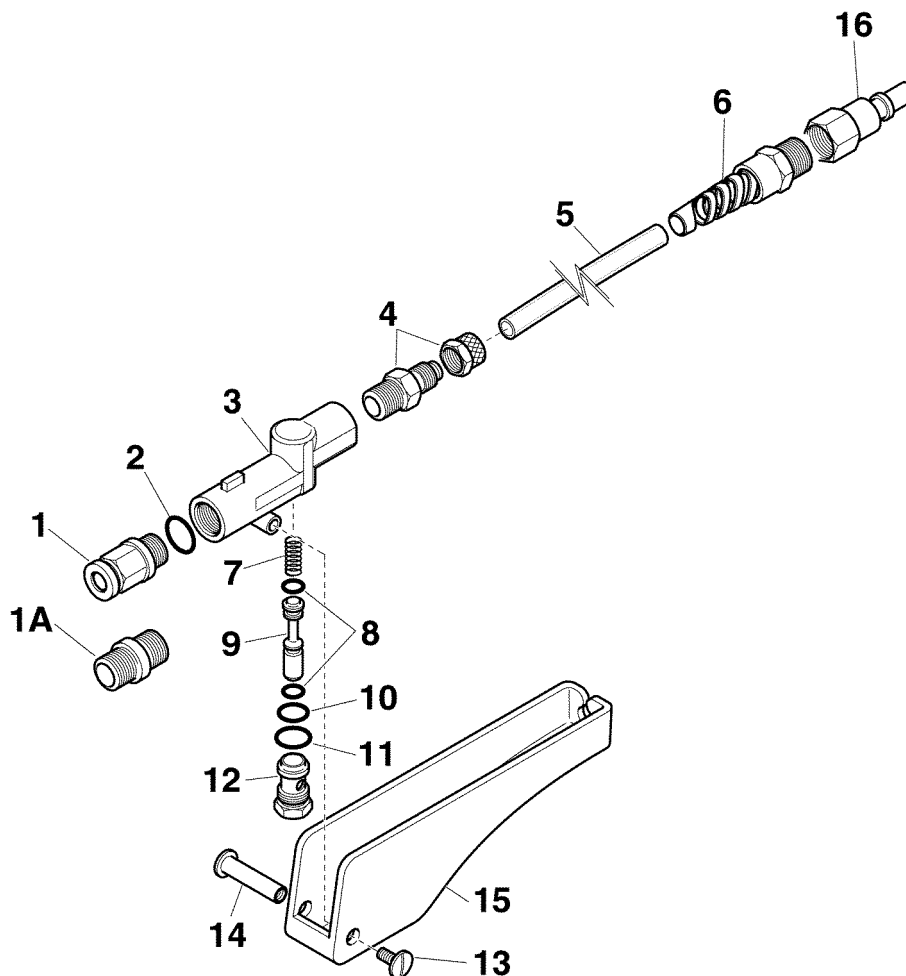
Via Piave, 22/C - 20016 PERO (Milano) - Italy

Tel. +39.02.3391 2487 Fax +39.02.3391 2538

www.santoemma.com E-mail: santoemma@santoemma.com

RUBINETTO CODICE 3200-INN / 3200C-M / 3200H-M / 3200C / 3200H
SOLUTION VALVE CODEX 3200-INN / 3200C-M / 3200H-M / 3200C / 3200H

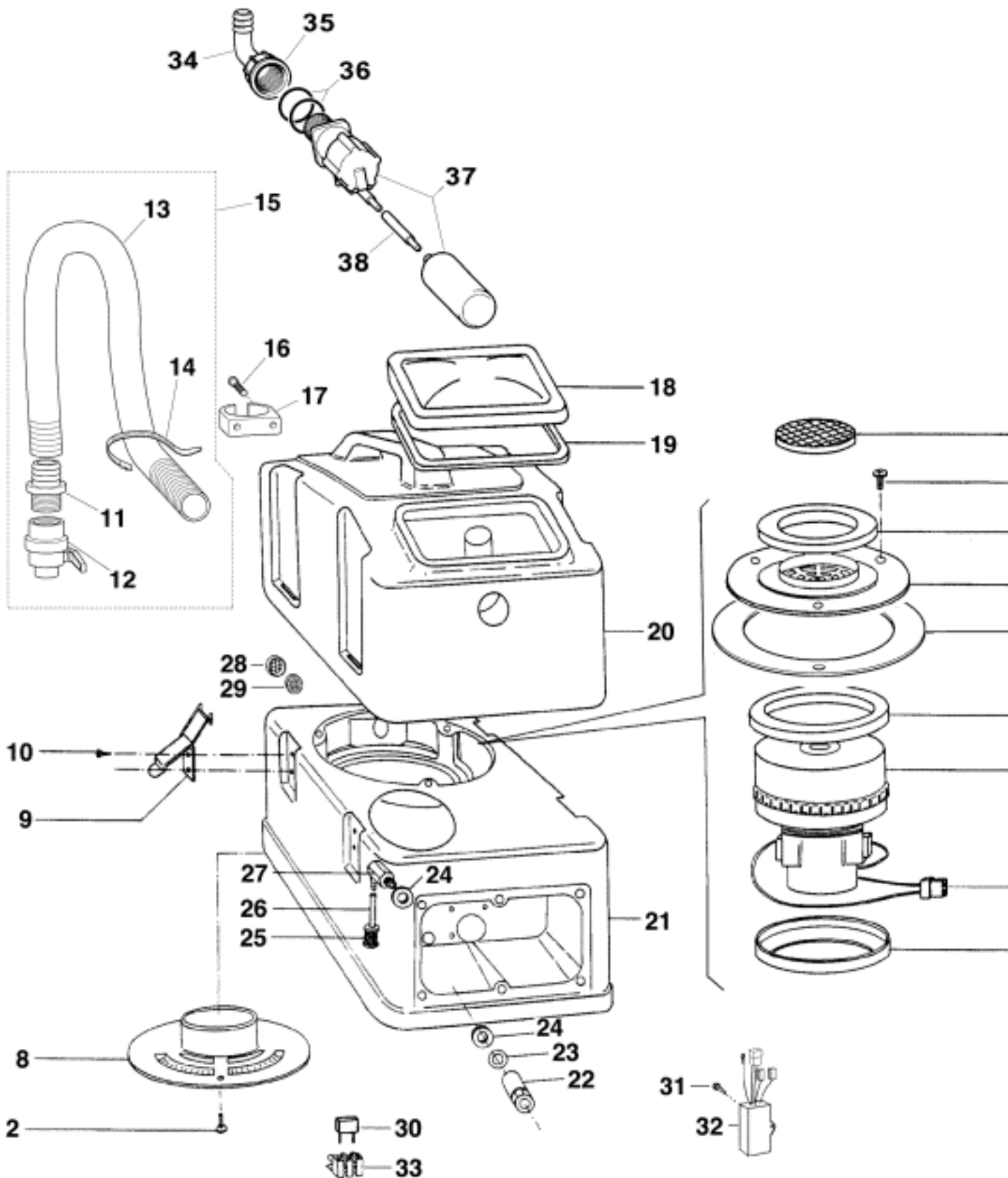
TAVOLA 17
TABLE 17



| rif | codice | descrizione | description |
|-----|----------|--|---|
| 1 | 750 | INNESTO D.8 – M. ¼ | COUPLING D.8 – M. ¼ |
| 1A | 764 | RACCORDO M. ¼ – M. ¼ | COUPLING M. ¼ – M. ¼ |
| 2 | 137 | OR 1/4" | O-RING 1/4" |
| 3 | 3201 | CORPO IN PLASTICA PER RUBINETTO | PLASTIC BODY FOR SOLUTION VALVE |
| 4 | 618 | INNESTO D.8 – M. ¼ | COUPLING D.8 – M. ¼ |
| 5 | 73501 | SPEZZONE TUBO EXTRAFLEX | EXTRAFLEX PIPE |
| 6 | 7260 | INNESTO CON MOLLA – ATT. M. ¼ | COUPLING WITH SPRING – THREAD M. ¼ |
| 7 | 3207 | MOLLA PER RUBINETTO | SPRING FOR SOLUTION VALVE |
| 8 | 32010 | OR PER OTTURATORE | O-RING |
| 9 | 3204 | OTTURATORE | SOLUTION VALVE SHUTTER |
| 10 | 3209 | OR 7,66 x 1,78 | O-RING 7,66 x 1,78 |
| 11 | 3208 | OR INFERIORE PER SERE OTTURATORE | LOWER O-RING FOR SHUTTER |
| 12 | 3203 | SEDE PER OTTURATORE | SEAT FOR SHUTTER |
| 13 | 3206 | CONTROVITE PER RUBINETTO | SCREW FOR SOLUTION VALVE |
| 14 | 3205 | VITE PER RUBINETTO | SCREW FOR SOLUTION VALVE |
| 15 | 3202 | LEVA PER RUBINETTO | SOLUTION VALVE LEVER |
| 16 | 689-PE | INN. RAP. M. ATT. F. ¼" - METALLO | MALE QUICK DISCONNECT – F. ¼" THREAD – METAL |
| | 727 | INN. RAP. M. ATT. F. ¼" - PLASTIC | MALE QUICK DISCONNECT – F. ¼" THREAD - PLASTIC |
| | 3200-INN | PARTICOLARI DA 3 A 15, MONTATI | ITEMS FROM 3 TO 15, ASSEMBLED |
| | 3200C-M | PARTICOL. 1 + DA 2 A 16, MONTATI (INN.689-PE.) | ITEMS 1 + FROM 2 TO 16, ASSEMBLED (COUPL. 689-PE) |
| | 3200H-M | PARTICOL. 1A+ DA 2 A 16, MONTATI (INN.689-PE) | ITEMS 1A+FROM 2 TO 16, ASSEMBLED (COUPL. 689-PE) |
| | 3200C | PARTICOL. 1 + DA 2 A 16, MONTATI (INN.727) | ITEMS 1 + FROM 2 TO 16, ASSEMBLED (COUPL. 727) |
| | 3200H | PARTICOL. 1A+ DA 2 A 16, MONTATI (INN.727) | ITEMS 1A+FROM 2 TO 16, ASSEMBLED (COUPL.727) |

Via Piave, 22/C - 20016 PERO (Milano) - Italy
 Tel. +39.02.3391 2487 Fax +39.02.3391 2538
 www.santoemma.com E-mail: santoemma@santoemma.com

October 2004



MAXI FOAM

MACCHINA CON SCHIUMA, RISCIAQUO, ASPIRAZIONE MOD. MAXI FOAM
MACHINE FOAMING, RINSING, VACUUMING MOD. MAXI FOAM
TAVOLA 38
TABLE 38

| rif | codice | descrizione | description |
|-----|--------|--|--|
| 1 | 146 | FILTRO | FILTER |
| 2 | 536 | VITE INOX TC+ 4x10 | STAINLESS STEEL SCREW TC+ 4x10 |
| 3 | 135 | GUARNIZIONE | GASKET |
| 4 | 136 | FLANGIA SUPERIORE | UPPER FLANGE |
| 4A | 1351 | GUARNIZIONE FLANGIA SUP/SERBATOIO SABR. | GASKET FLANGE/UPPER TANK |
| 5 | 812 | GUARNIZIONE MOTORE 10mm | MOTOR GASKET 10mm |
| 5A | 811 | GUARNIZIONE 5mm | GASKET 5mm |
| 6 | 821 | MOTORE 1200W 220-240V 50 HZ | MOTOR 1200W 220-240V 50 HZ |
| | 819 | MOTORE 1000W 100V 50-60 HZ | MOTOR 1000W 100V 50-60 HZ |
| | 820 | MOTORE 1000W 110-120V 50/60 Hz | MOTOR 1000W 110V 50/60 Hz |
| 7 | 234 | CONNETTORE IN PLASTICA | PLASTIC CONNECTOR |
| | 250 | FASTON MASCHIO 6,3mm | MALE FASTON - 6,3mm |
| 8 | 141 | FLANGIA INFERIORE | LOWER FLANGE |
| 9 | 142 | GANCIO | COUPLER |
| 10 | 542 | VITE TC+ 4,2x16 | SCREW TC+ 4,2x16 |
| 11 | 161 | PORTAGOMMA | HOSE NIPPLE |
| 12 | 1591 | VALVOLA DI SCARICO 1" | DRAIN VALVE 1" |
| 13 | 3581 | TUBO DI SCARICO, L=90CM | DRAIN HOSE, L=90CM |
| 14 | 541 | FASCETTA | TIE |
| 15 | 3581C | TUBO SCARICO COMPLETO: CODICI 1591+161+3581+541 | COMPLETE DRAIN HOSE: COD. 1591+161+3581+541 |
| 16 | 544 | VITE 4,2x22 | SCREW 4,2x22 |
| 17 | 160 | CLIP | CLIP |
| 18 | 133 | COPERCHIO | COVER |
| | 133C | COPERCHIO CON GUARNIZIONE | COVER WITH GASKET |
| 19 | 134 | GUARNIZIONE | GASKET |
| 20 | 149R | SERBATOIO SUPERIORE ROSSO | RED UPPER TANK |
| | 149V | SERBATOIO SUPERIORE VERDE | GREEN UPPER TANK |
| | 149A | SERBATOIO SUPERIORE AZZURRO | BLUE UPPER TANK |
| 21 | 150N | SERBATOIO INFERIORE NERO | BLACK LOWER TANK |
| | 150V | SERBATOIO INFERIORE VERDE | GREEN LOWER TANK |
| | 150A | SERBATOIO INFERIORE AZZURRO | BLUE LOWER TANK |
| 22 | 714 | INNESTO RAPIDO FEMMINA | QUICK DISCONNECT FEMALE |
| 23 | 540 | RONDELLA OTTONE | BRASS WASHER |
| 24 | 147 | RONDELLA NEOPRENE | NEOPRENE WASHER |
| 25 | 608 | FILTRO ACQUA | FILTER |
| 26 | 734 | TUBO PER FILTRO | PIPE FOR FILTER |
| 27 | 702 | RACCORDO COMPLETO | CONNECTING PART COMPLETE |
| 28 | 11638 | FILTRO IN PLASTICA | PLASTIC FILTER |
| 29 | 2025 | FILTRO PPI30 D.44 | FILTER PPI30 D.44 |
| 30 | 235 | FILTRO ANTIDISTURBO RADIO PER MOTORE | MOTOR RADIO INTERFERENCE SUPPRESSOR |
| 31 | 538 | VITE AUTOF. TC+ 3,9 x 13 | SCREW TC+ 3,9 x 13 |
| 32 | 290 | FILTRO ANTIDISTURBO RADIO PER POMPA | PUMP RADIO INTERFERENCE SUPPRESSOR |
| 33 | 236 | MORSETTO | CONNECTING TERMINAL |
| 34 | 16131 | GOMITO PER CARICO RAPIDO MAXIFOAM | ELBOW COUPLING FOR MAXIFOAM FILLING |
| 35 | 16132 | GHIERA PER GOMITO CARICO RAPIDO MAXIFOAM | NUT FOR ELBOW COUPLING |
| 36 | 16133 | GUARNIZIONE PER GOMITO CARICO MAXIFOAM | GASKET FOR ELBOW COUPLING |
| 37 | 1706 | GALLEGGIANTE PER CARICO RAPIDO MAXIFOAM | FOATER FOR MAXIFOAM AUTOMATIC FILLING |
| 38 | 90431 | PROLUNGA GALLEGGIANTE CARICO RAPIDO | EXTENSION FOR MAXIFOAM FLOATER |

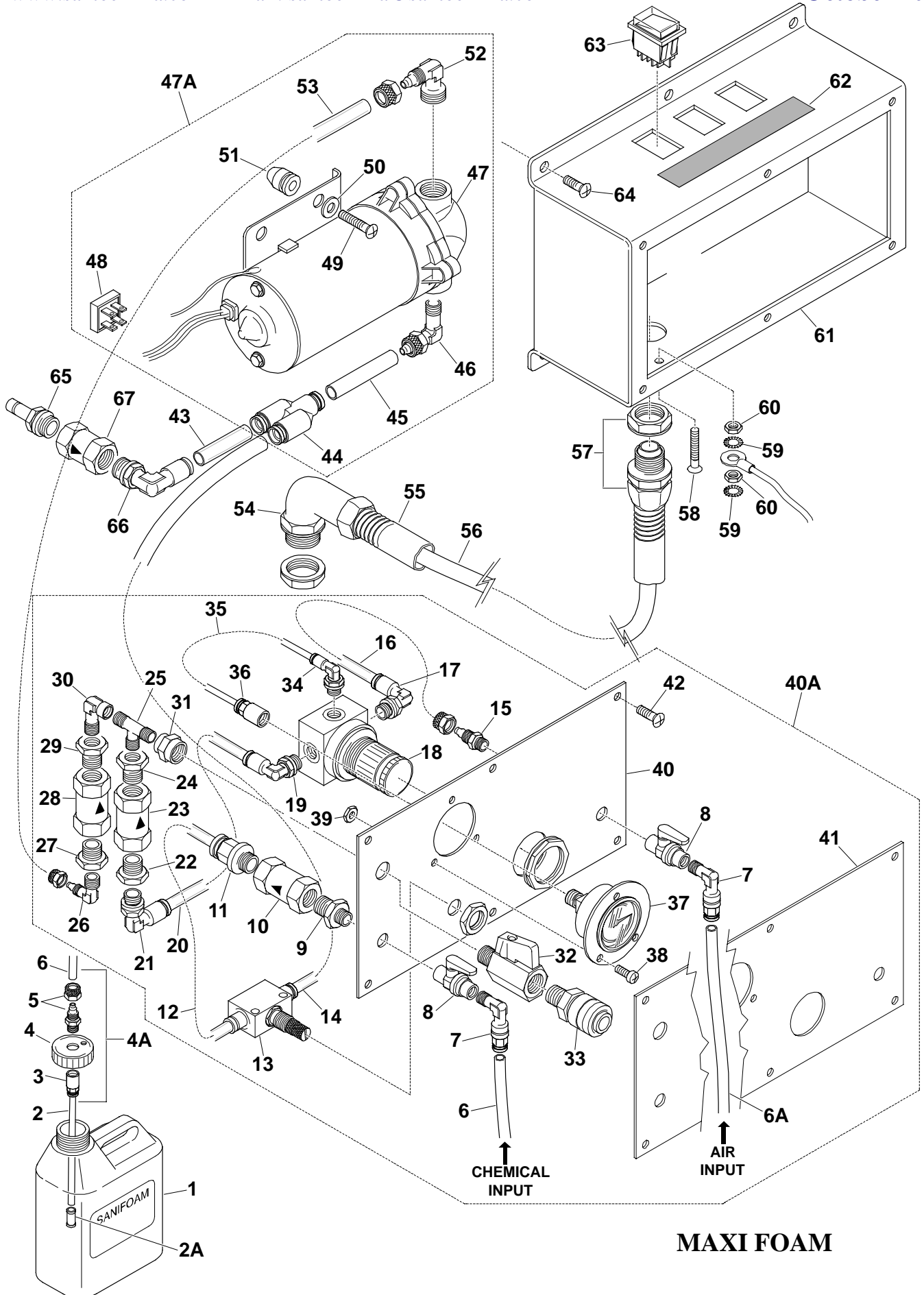


Via Piave, 22/C - 20016 PERO (Milano) - Italy

Tel. +39.02.3391 2487 Fax +39.02.3391 2538

www.santoemma.com E-mail: santoemma@santoemma.com

October 2004



MACCHINA CON SCHIUMA, RISCIAQUO, ASPIRAZIONE MOD. MAXI FOAM
MACHINE FOAMING, RINSING, VACUUMING MOD. MAXI FOAM
TAVOLA 39 1/2
TABLE 39 1/2

| rif | codice | descrizione | Description |
|-----|-------------|---|---|
| 1 | SANI-FOAM | TANICA DA 5 LITRI DETERGENTE "SANI-FOAM" | 5 LITERS TANK OF "SANI-FOAM" CHEMICAL |
| 2 | 74013 | TUBO RILSAN 6/8, L=29cm | RILSAN PIPE 6/8, L=29cm |
| 2A | 6081 | FILTRO PICCOLO PROTEZIONE TIP | FILTER |
| 3 | 714 | INNESTO AUTOMATICO F. ATT. F. R2 8-1/8 | AUTOMATIC COUPLING F ATT F. R2 8-1/8 |
| 4 | 1202 | TAPPO PER TANICA DETERGENTE 5 LITRI | CAP FOR 5 LITERS TANK |
| 4 A | 1202C | TAPPO DETERG. COMPLETO CON TUBO (74013+714+1202+6162) | CAP FOR CHEMICAL COMPLETE WITH TUBE (74013+714+1202+6162) |
| 5 | 6162 | INNESTO C1Z 8/6-1/8 | COUPLING C1Z 8/6-1/8 |
| 6 | 73513 | TUBO EXTRAFLEX 6/8, L=46cm | EXTRAFLEX PIPE 6/8, L=46cm |
| 6 A | 7407 | TUBO RILSAN 6/8, L=29cm | RILSAN PIPE 6/8, L=29cm |
| 7 | 605 | RACCORDO GOMITO C5 M.1/8 PER TUBO 6/8 | ELBOW C5 8-1/8 |
| 8 | 6171 | RUBINETTO FF 1/8 | VALVE FF 1/8 |
| 9 | 7381 | RACCORDO NIPPLO A1 3/8-1/8 | NIPPLE A1 3/8-1/8 |
| 10 | 7551 | UNIDIREZIONALE FF 3/8 | ONE-WAY COUPLING FF 3/8 |
| 11 | 754 | INNESTO AUTOM. F. ATT. M. R1 8-3/8 | AUTOMATIC COUPLING, F. ATT. M. R1 8-3/8 |
| 12 | 7403 | TUBO RILSAN 6/8, L=32cm | RILSAN PIPE 6/8, L=32cm |
| 13 | 6173 | RUBINETTO REGOLAZ DETERGENTE | CHEMICAL REGULATION VALVE |
| 14 | 73509 | TUBO ELASTOLLAN 5,5/8, L=24cm | ELASTOLLAN PIPE 5,5/8, L=24cm |
| 15 | 616 | RACCORDO DIRITTO C1 8/6-1/8 | COUPLING C1 8/6 1/8 |
| 16 | 7408 | TUBO RILSAN 6/8, L=25cm | RILSAN PIPE 6/8, L=25cm |
| 17 | 6053A | INNESTO AUTOM. GOMITO R31 8-1/8 | AUTOMATIC COUPLING ELBOW R31 8-1/8 |
| 18 | 49091 | REGOLATORE DI PRESSIONE ARIA | AIR PRESSURE REGULATOR |
| 19 | 6053A | INNESTO AUTOM. GOMITO R31 8-1/8 | AUTOMATIC COUPLING ELBOW R31 8-1/8 |
| 20 | 7409 | TUBO RILSAN 6/8, L=22cm | RILSAN PIPE 6/8, L=22cm |
| 21 | 6053A | INNESTO AUTOM. GOMITO R31 8-1/8 | AUTOMATIC COUPLING ELBOW R31 8-1/8 |
| 22 | 7672 | RACCORDO RIDUZIONE A4/Z F.1/8 - M.3/8 | COUPLING A4/Z F.1/8 - M.3/8 |
| 23 | 7551 | UNIDIREZIONALE FF 3/8 | ONE-WAY COUPLING FF 3/8 |
| 24 | 7672 | RACCORDO RIDUZIONE A4/Z F.1/8 - M.3/8 | COUPLING A4/Z F.1/8 - M.3/8 |
| 25 | 7220 | RACCORDO A T MMM A16 1/8 | COUPLING "T" MMM A16 1/8 |
| 26 | 605 | RACCORDO GOMITO C5 MF 1/8 | COUPLING C5 MF 1/8 |
| 27 | 7672 | RACCORDO RIDUZIONE A4/Z F.1/8 - M.3/8 | COUPLING A4/Z F.1/8 - M.3/8 |
| 28 | 7551 | UNIDIREZIONALE FF 3/8 | ONE-WAY COUPLING FF 3/8 |
| 29 | 7672 | RACCORDO RIDUZIONE A4/Z F.1/8 - M.3/8 | COUPLING A4/Z F.1/8 - M.3/8 |
| 30 | 626 | GOMITO MF 1/8 | ELBOW MF 1/8 |
| 31 | 684 | RACCORDO RIDUZIONE A6 1/4-1/8 | COUPLING A6 1/4-1/8 |
| 32 | 751 | VALVOLA MF 1/4 | VALVE MF 1/4 |
| 33 | 687-PE | INNESTO RAPIDO F. ATT. M.. 1/4 | QUICK DISCONNECT F. ATT. M. 1/4 |
| 34 | 6052A | INNESTO AUTOM. GOMITO R31 4-1/8 | AUTOMATIC COUPLING ELBOW R31 4-1/8 |
| 35 | 6934 | TUBO RILSAN 2,5/4 L=20cm | RILSAN PIPE 2,5/4 L=20cm |
| 36 | 7141 | INNESTO AUTOM. F-ATT.F. R2 4-1/8 | AUTOMATIC COUPLING F.-ATT.F. R2 4-1/8 |
| 37 | 900 | MANOMETRO A PANNELLO PER ARIA | MANOMETER FOR AIR |
| 38 | 53501 | VITE TC+3x14 | SCREW TC+3X14 |
| 39 | 58603 | DADO OTTONE DIAM.3 | BRASS NUT DIAM. 3 |
| | 52103 | RONDELLA DENTELLATA DIAM.3 | LOCKING WASHER DIAM. 3 |
| 40 | 4912 | PANNELLO REGOLAZIONE MAXI FOAM | REGULATION PANEL FOR MAXI FOAM |
| 40A | PA-MAXIFOAM | PANNELLO REGOLAZIONE COMPLETO MAXI FOAM | COMPLETE REGULATION PANEL FOR MAXI FOAM |
| 41 | 1561 | ETICHETTA PANNELLO REGOLAZ. MAXI FOAM | LABEL FOR REGULATION PANEL OF MAXI FOAM |
| 42 | 536 | VITE INOX 4x10 | STAINLESS STEEL SCREW - TC+ 4x10 |

**SANTOEMMA S.r.l.**

Fabbrica macchine pulizia industriale

Via Piave, 22/C - 20016 PERO (Milano) - Italy
Tel. +39.02.3391 2487 Fax +39.02.3391 2538

www.santoemma.com E-mail: santoemma@santoemma.com

October 2004**MACCHINA CON SCHIUMA, RISCIAQUO, ASPIRAZIONE MOD. MAXI FOAM
MACHINE FOAMING, RINSING, VACUUMING MOD. MAXI FOAM****TAVOLA 39 2/2
TABLE 39 2/2**

| | | | |
|-----|-----------|---|--|
| 43 | 74016 | TUBO RILSAN 6/8 L=11CM | RILSAN PIPE 6/8, L=110mm |
| 44 | 6801 | INNESTO AUTOM. A Y DIAM. 8 | Y AUTOMATIC COUPLING - DIAM. 8 |
| 45 | 7406 | TUBO RILSAN 6x8 L=40mm | RILSAN PIPE 6x8 L=40mm |
| 46 | 622 | RACCORDO GOMITO M.3/8 PER TUBO 6/8 | ELBOW COUPLING M.3/8 FOR 6x8 PIPE |
| 47 | 643 | POMPA SHURFLO 220-240V 50/60Hz+RADDRIZZAT.27935 | SHURFLO PUMP 220-240V 50/60Hz + RECTIFIER 27935 |
| | 644 | POMPA SHURFLO 100-120V 50-60Hz(RADDRIZZ. INTERNO) | SHURFLO PUMP 100-120V 50-60Hz (INTERNAL RECTIF.) |
| 47A | 643F-C | POMPA SHURFLO 220-240V COMPLETA | SHURFLO PUMP 220-240V COMPLETE |
| | 644F-C | POMPA SHURFLO 100-120V COMPLETA | SHURLO PUMP 100-120V COMPLETE |
| 48 | 27935 | RADDRIZZATORE (SOLO PER POMPA 230V) | RECTIFIER (FOR 230V PUMP ONLY) |
| 49 | 546 | VITE TC+ 5x25 | SCREW TC+ 5x25 |
| 50 | 517 | RONDELLA 5x15 | WASHER 5x15 |
| 51 | 7360 | ANTIVIBRANTE (SHURFLO) | VIBRATION DAMPING (SHURFLO) |
| 52 | 622 | RACCORDO GOMITO M.3/8 PER TUBO 6/8 | ELBOW COUPLING M.3/8 FOR 6x8 PIPE |
| 53 | 74012 | TUBO RILSAN 6x8 L=360mm | RILSAN PIPE 6x8 L=360mm |
| 54 | 2621 | RACCORDO GOMITO GUAINA-PANNELLO | ELBOW FOR CABLE SHEAT |
| 55 | 2611 | SPEZZONE GUAINA D.16 L=26CM | CABLE SHEAT DIAM.16 L=26CM |
| 56 | 20851 | CAVO 5x1,5 CON FASTON - L=120CM | CABLE 5x1,5 WITH TERMINALS - L= 120CM |
| | 261-MFOAM | GUAINA COMPLETA + CAVO 20851+2621+262C | COMPLETE CABLE SHEAT + CABLE 20851+2621+262C |
| 57 | 262C | RACCORDO + GHIERA | CONNECTING PART + NUT |
| 58 | 551 | VITE TC+ INOX 4x16 | SCREW TC+ INOX 4x16 |
| 59 | 5210 | RONDELLA DENTELLATA DIAM.4 | LOCKING WASHER DIAM.4 |
| 60 | 523 | DADO DIAM.4 | NUT DIAM.4 |
| 61 | 4913 | PANNELLO VANO POMPA MAXI FOAM | PANEL FOR PUMP ROOM MAXI FOAM |
| 62 | 1562 | ETICHETTA INTERRUTTORI MAXI FOAM | LABEL FOR SWITCHES MAXI FOAM |
| 63 | 2171 | INTERRUTTORE LUMINOSO | LUMINOUS SWITCH |
| 64 | 536 | VITE TC+ INOX 4x10 | SCREW TC+ INOX 4x10 |
| 65 | 6982 | INNESTO AUTOM.D.8 M.3/8 | AUTOMATIC COUPLING D.8 M.3/8 |
| 66 | 6054A | INNESTO AUTOM. GOMITO R31 8-3/8 | AUTOMATIC COUPLING ELBOW R31 8-3/8 |
| 67 | 7551 | UNIDIREZIONALE FF 3/8 | ONE-WAY COUPLING FF 3/8 |



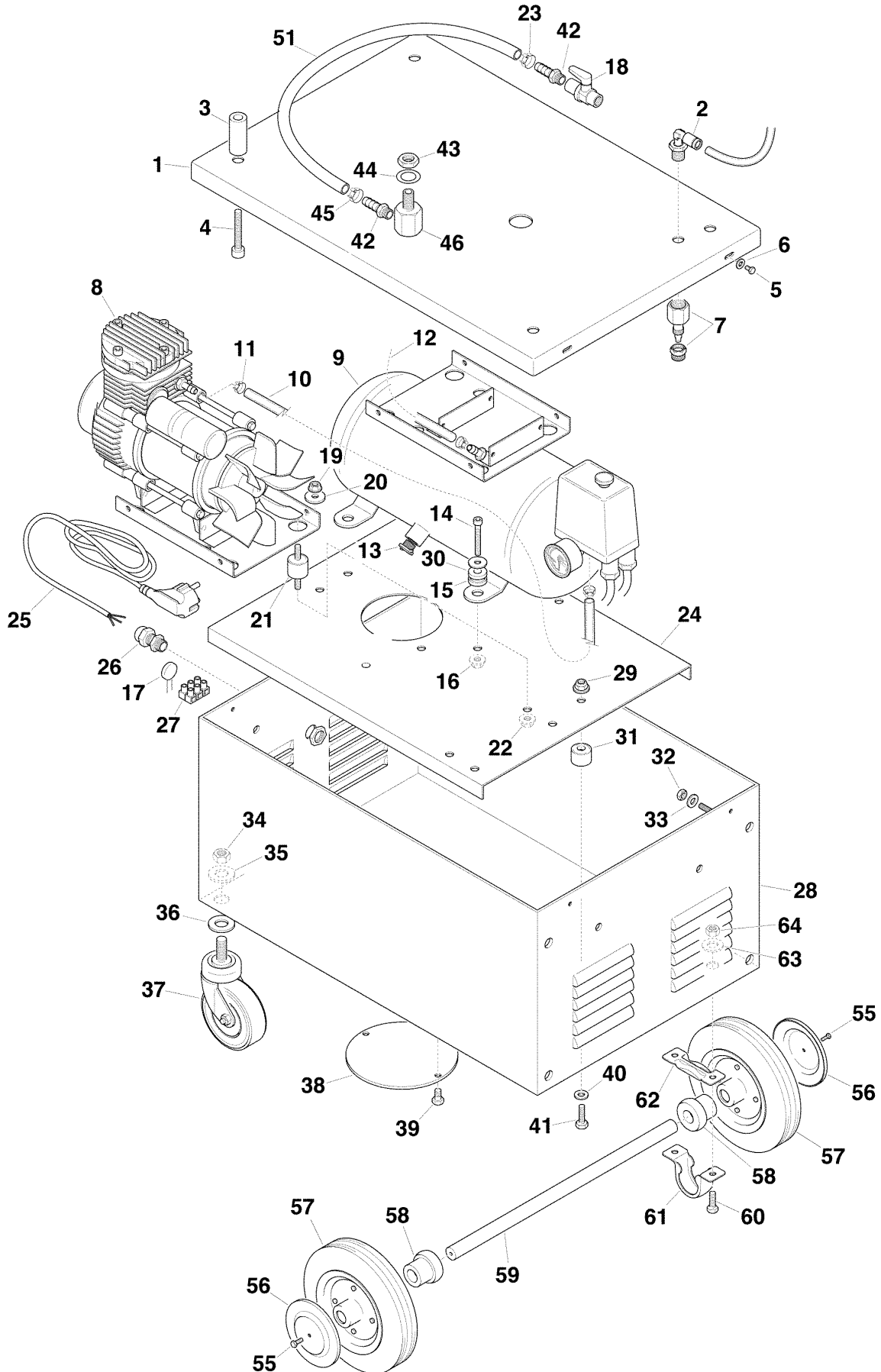
Via Piave, 22/C - 20016 PERO (Milano) - Italy

Tel. +39.02.3391 2487 Fax +39.02.3391 2538

www.santoemma.com E-mail: santoemma@santoemma.com

MACCHINA CON SCHIUMA, RISCIAQUO, ASPIRAZIONE MOD. MAXI FOAM
MACHINE FOAMING, RINSING, VACUUMING MOD. MAXI FOAM

TAVOLA 40
TABLE 40



Via Piave, 22/C - 20016 PERO (Milano) - Italy
 Tel. +39.02.3391 2487 Fax +39.02.3391 2538
 www.santoemma.com E-mail: santoemma@santoemma.com

MACCHINA CON SCHIUMA, RISCIAQUO, ASPIRAZIONE MOD. MAXI FOAM
MACHINE FOAMING, RINSING, VACUUMING MOD. MAXI FOAM
TAVOLA 40 1/2
TABLE 40 1/2

| Ref. | codice | descrizione | description |
|------|----------|---|---|
| 1 | 4910 | COPERCHIO CHIUSURA SUP. MAXI FOAM | UPPER COVER FOR MAXI FOAM |
| 2 | 6051A | INNESTO AUTOMATICO GOMITO R31 8-1/4 | AUTOMATIC COUPLING ELBOW R31 8-1/4 |
| 3 | 7472 | DISTANZIALE PER MAXI FOAM | THIMBLE FOR MAXI FOAM |
| 4 | 5982 | VITE TC BRUGOLA 10x50 | SCREW TC BRUGOLA 10x50 |
| 5 | 575I | VITE TE 5x12 INOX | SCREW TE 5x12 INOX |
| 6 | 517I | RONDELLA DIAM. 5x15x1,5 INOX | WASHER DIAM. 5x15x1,5 STAINLESS STEEL |
| 7 | 6160.1 | RACCORDO DIRITTO C2 F.1/4 PER TUBO 6/8 | COUPLING C2 F.1/4 FOR 6/8 PIPE |
| 8 | 4905 | COMPRESSORE 220-240V | COMPRESSOR 220-240V |
| | 4905-110 | COMPRESSORE 120V | COMPRESSOR 120V |
| | 4905-100 | COMPRESSORE 100V | COMPRESSOR 100V |
| 9 | 4908 | SERBATOIO ARIA CON PRESSOST.+ 4908.1 + 4908.2 | COMPLETE TANK WITH PRESSOSTAT + 4908.1 + 4908.2 |
| 10 | 74010 | SPEZZONE TUBO RILSAN SPEC. ROSSO 110cm | SPECIAL RILSAN PIPE, L=110CM |
| 11 | 6091 | FASCETTA SPECIALE PER RILSAN 6/8,5 | SPECIAL TIE FOR 6/8,5 PIPE |
| 12 | 7402 | TUBO RILSAN 6/8 SPEZZONE 95cm | RILSAN PIPE, L=95CM |
| 13 | 4908.1 | TAPPO PER SCARICO CONDENSA FOAM | CAP FOR CONDENSATE DRAINAGE |
| 14 | 574I | VITE TC BRUGOLA 6x16 | SCREW TC BRUGOLA 6x16 |
| 15 | 7363 | GOMMINO SUPPORTO PER SERBATOIO | RUBBER SUPPORT FOR AIR TANK |
| 16 | 562R | DADO CON RONDELLA DIAM.6 | NUT WITH WASHER, DIAM.6 |
| 17 | 8132 | VARISTORE | VARISTOR |
| 18 | 6174 | VALVOLA A SFERA CON LEVA, F.F. 3/8"-3/8" | DRAIN VALVE F.F. 3/8"-3/8" |
| 19 | 562R | DADO CON RONDELLA DIAM. 6 | NUT WITH WASHER, DIAM. 6 |
| 20 | 4905.2 | RONDELLA SPECIALE DIAM. 6 | SPECIAL WASHER DIAM. 6 |
| 21 | 4905.3 | ANTIVIBRANTE DIAM.20, H=20, FILETTO 6 | ANTIVIBRATION SUPPORT DIAM.20, H=20, THREAD=6 |
| 22 | 562R | DADO CON RONDELLA DIAM.6 | NUT WITH WASHER, DIAM.6 |
| 23 | 6093 | FASCETTA STRICK 22-25 A 2 ORECCHIE | TIE 22-25 |
| 24 | 4906 | PIASTRA SUPPORTO COMPRESS. E SERBATOIO | SUPPORT PLATE FOR COMPRESSOR AND TANK |
| 25 | 2420 | CAVO 3x1,5x10m | CABLE 3x1,5x10M |
| | 215 | CAVO 3xAWG14 L.15m. SJTW-CSA SPINA USA | CABLE 3xAWG14 L.15m. SJTW-CSA USA PLUG |
| 26 | 295 | PASSACAVO PG11 CON GHIERA 1/2" | CABLE LOCK WITH NUT 1/2" |
| 27 | 2361 | MORSETTO - SEZ. 4 mmq | ELECTRIC TERMINAL - 4 sq.mm. |
| 28 | 4901 | CONTENITORE COMPRESSORE | COMPRESSOR CONTAINER |
| 29 | 562R | DADO CON RONDELLA, DIAM. 6 | NUT WITH WASHER, DIAM. 6 |
| 30 | 5630 | RONDELLA DIAM. 6x18 | WASHER DIAM 6x18 |
| 31 | 4905.4 | DISTANZIALE FISSAGGIO PIASTRA | THIMBLE FOR PLATE FIXING |
| 32 | 523 | DADO ES. DIAM. 4 | NUT - DIAM. 4 |
| 33 | 5210 | RONDELLA ZIGRINATA EST. DIAM. 4 | LOCKING WASHER DIAM. 4 |
| 34 | 526A | DADO ES. DIAM. 10 AUTOFRENANTE | LOCKING NUT DIAM. 10MM |
| 35 | 528 | RONDELLA DIAM. 10x40x2 | WASHER DIAM. 10x40x2 |
| 36 | 597 | RONDELLA DIAM. 20x40x3 | WASHER DIAM. 20x40x3 |
| 37 | 115.1 | RUOTA DIAM. 100 | WHEEL DIAM. 100MM |
| 38 | 4907 | COPERCHIO PER SCARICO CONDENSA | COVER FOR CONDENSATE DRAINAGE |
| 39 | 575I | VITE TE 5x12 INOX | SCREW TE 5x12 INOX |
| 40 | 5630 | RONDELLA 6x18 | WASHER 6x18 |
| 41 | 58230 | VITE TE 6x30 | SCREW TE 6x30 |
| 42 | 6995 | PORTAGOMMA M. 3/8 -17 CILINDRICO | HOSE NIPPLE M. 3/8 - 17 |
| 43 | 761 | GHIERA OTTONE DIAM.3/8 FORO 14mm | BRASS NUT 3/8" - 14mm |
| 44 | 1372 | OR DIAM=12,29, CORDA=3,53 NBR70 | OR DIAM=12,29 |
| 45 | 6093 | FASCETTA STRICK 22-25 A 2 ORECCHIE | TIE 22-25 |
| 46 | 702E | RACCORDO GOMITO 3/8 | ELBOW CONNECTING PART 3/8 |
| 51 | 348161 | TUBO DIAM.16 L=90cm SCARICO ACQUA PULITA | DRAIN HOSE DIAM. 16 L= 90CM |
| 55 | 582 | VITE TE 6x14 INOX | STAINLESS STEEL SCREW TE 6x14 |



SANTOEMMA S.r.l.

Fabbrica macchine pulizia industriale

October 2004

Via Piave, 22/C - 20016 PERO (Milano) - Italy

Tel. +39.02.3391 2487 Fax +39.02.3391 2538

www.santoemma.com E-mail: santoemma@santoemma.com

MACCHINA CON SCHIUMA, RISCIAQUO, ASPIRAZIONE MOD. MAXI FOAM

TAVOLA 40 2/2

MACHINE FOAMING, RINSING, VACUUMING MOD. MAXI FOAM

TABLE 40 2/2

| Ref. | codice | descrizione | description |
|------|--------|--------------------------|-----------------------|
| 56 | 5632 | RONDELLA PIANA 6x30x2 Zn | WASHER 6x30x2 Zn |
| 57 | 422 | RUOTA | WHEEL |
| 58 | 419 | DISTANZIALE PER ALBERO | PILLOW BLOCK |
| 59 | 4182 | ALBERO RUOTE MAXI FOAM | MAXI FOAM WHEEL SHAFT |
| 60 | 583 | VITE TE 8x20 | SCREW TE 8x20 |
| 61 | 421 | SUPPORTO INFERIORE RUOTA | LOWER BEARING FLANGE |
| 62 | 420 | SUPPORTO SUPERIORE RUOTA | UPPER BEARING FLANGE |
| 63 | 594 | RONDELLA 8x24 Zn | WASHER 8x24 Zn |
| 64 | 568 | DADO ES.8 mm | NUT DIAM. 8 |

MACCHINA CON SCHIUMA, RISCIAQUO, ASPIRAZIONE MOD. MAXI FOAM
MACHINE FOAMING, RINSING, VACUUMING MOD. MAXI FOAM
TAVOLA 41
TABLE 41

| rif | codice | descrizione | description |
|-----|----------------|---|--|
| 1 | ANTI-FOAM | FLACONE DA 1 LITRO CON ANTISCHIUMA | 1 LITER TANK WITH ANTIFOAM |
| 2 | 6081 | FILTRO PER ANTISCHIUMA | FILTER FOR ANTIFOAM |
| 3 | 74014 | TUBO RILSAN 6x8 L=21cm | RILSAN PIPE 6x8 L=21cm |
| 4 | 714 | INNESTO AUTOMATICO F.ATT.F. R1 8-1/8 | AUTOMATIC COUPLING F.ATT.F. R1 8-1/8 |
| 5 | 1203 | TAPPO FORATO PER FLACONE DA 1 LITRO | CAP WITH HOLE FOR 1 LITER TANK |
| 6 | 6163 | INNESTO C1Z 4/2,5 -1/8 | COUPLING C1Z 4/2,5 -1/8 |
| 7 | 6933 | TUBO RILSAN NERO 4x2.5 L=70cm | RILSAN PIPE 4x2.5 L=70cm |
| 8 | 333-S | MANICOTTO GIREVOLE DIAM.36 SPECIALE | SPECIAL REVOLVING CUFF DIAM.36 |
| 9 | 345-L75 | TUBO ASPIRAZIONE DIAM.32 L=7,5 m | VACUUM HOSE DIAM.32 |
| | 345-L75-C | TUBO ASPIRAZIONE CON MANICOTTI 333-S+3321-F | VACUUM HOSE DIAM.32 + CUFFS 333-S+3321-F |
| 10 | 3321-F | MANICOTTO 32/38 CON INGRESSO ANTISCHIUMA | CUFF DIAM 32/38 WITH ANTI-FOAM INPUT |
| 11 | 4911 | MARSUPIO PER DETERGENTE MAXI-FOAM | CONTAINER FOR CHEMICAL TANKS |
| 12 | 426N | RUOTA LATERALE DIAM.80 | LATERAL WHEEL DIAM.80 |
| 13 | 568A | DADO ES. 8 MA AUTOFRENANTE | LOCKING NUT |
| 14 | 567 | VITE TE 8x40 | SCREW TE 8x40 |
| 15 | 4916 | AVVOLGITUBO INF. MAXI FOAM | LOWER HOOK FOR MAXI FOAM VACUUM HOSE |
| 16 | 562A | DADO ES. 6 MA AUTOFRENANTE Zn | LOCKING NUT DIAM.6 |
| 17 | 58230 | VITE TE 6x30 Zn | SCREW TE 6x30 Zn |
| 18 | 5671 | VITE TE 8x50 Zn | SCREW TE 8x50 Zn |
| 19 | 7471 | DISTANZIALE CROMATO | CHROMED THIMBLE |
| 20 | 568 | DADO ES. DIAM. 8 | NUT DIAM.8 |
| 21 | 5022 | TAPPO IN GOMMA | RUBBER CAP |
| 22 | 58230 | VITE TE 6x30 Zn | SCREW TE 6x30 |
| 23 | 49161 | AVVOLGITUBO/MANIGLIA POST.MAXIFOAM | TUBE HOOK/ REAR HANDLE FOR MAXI FOAM |
| 24 | 562A | DADO ES. 6 MA AUTOFRENANTE Zn | LOCKING NUT DIAM.6 |
| 25 | 4915 | MANICO CURVO GRANDE PER MAXI-FOAM | MAXI FOAM BIGGER HANDLE TUBE |
| 26 | 568 | DADO ES. DIAM. 8 | NUT DIAM.8 |
| 27 | 568 | DADO ES. DIAM. 8 | NUT DIAM.8 |
| 28 | 4917 | AVVOLGITUBO SUP. MAXI FOAM | UPPER HOOK FOR MAXI FOAM VACUUM HOSE |
| 29 | 4914 | SUPPORTO ACCESSORI MAXI-FOAM | SUPPORT FOR ACCESSORIES |
| 30 | 5191 | RIVETTO 4x22 | RIVET 4x22 |
| 31 | 9030 | TERGIVETRO INOX COMPLETO 35 CM | COMPLETE STAINLESS STEEL WINDOWS SQUEEGEE |
| 32 | 9023 | CLIP DIAM.22 CON ATT. GANCIO PER PISTOLA | CLIP DIAM. 22 WITH HOOK FOR SPRAY GUN |
| 33 | 9040C | PISTOLA COMPLETA SCHIUMA/RISCIAQUO | COMPLETE FOAM/RINSE SPRAY GUN |
| 34 | 9021 | CLIP DIAM.22 CON ATT. IN PLASTICA | CLIP DIAM.22 WITH PLASTIC TERMINAL |
| 35 | MFOAM.LANCIA-M | LANCIA SCHIUMA COMPLETA PER MAXI FOAM (OPTIONAL) | COMPLETE FOAMING LANCE FOR MAXI FOAM (OPTIONAL) |
| | 9020 | CLIP DIAM.22 CON ATT. IN GOMMA | CLIP DIAM.22 WITH RUBBER TERMINAL |
| 37 | 9010C | SPINGIACQUA COMPLETO - CM 45 | COMPLETE FLOOR WIPER - 45 CM |
| 38 | 3578C | BOCCHETTA TRIANGOLARE COMPLETA | COMPLETE TRIANGULAR VACUUM HEAD |
| 39 | 31802 | CLIP D.32 A 4 POSTI | 4-PLACES CLIP, DIAM.32 |
| 40 | 344C-L75-M | TUBO RAGNO 6x14 7,5m+INN.METALLO | RAGNO PIPE 6x14 7,5m + METAL COUPLINGS |
| 41 | 353 | LANCIA D.36 | ACCESSORY DIAM.36 |
| 42 | 345EXTC-HP | TUBO D.32 ESTENSIBILE 2,5/10MT + 2 MANICOTTI 3321 | EXTENSIBLE TUBE DIAM. 32 L=2,5/10M WITH 2 CUFFS 3321 |
| 43 | 3577C | ACCESSORIO ASPIRALIQUIDI COMPLETO 40CM-DIAM.38 | COMPLETE VACUUM TOOL 40CM-DIAM.38 |
| 45 | 117C-HP | MANIGLIA COMPLETA DIAM.38 | COMPLETE HANDLE - DIAM.38 |
| 46 | 3401 | TUBO DOPPIA CURVA PER ASPIRALIQUIDI, DIAM.38 | "S" SHAPED STAINLESS STEEL TUBE, DIAM. 38 |
| 47 | 31240 | BOCCA ASPIRALIQUIDI 40CM-DIAM.38 | VACUUM HEAD 40CM-DIAM.38 |
| 48 | 9022 | TUBO PER CARICO ACQUA | TUBE FOR SOLUTION TANK FILLING |
| 49 | 49144 | CLIP CON VITE PER GANCIO SUPPORTO TUBO | CLIP WITH SCREW FOR TUBE SUPPORT HOOK |
| 50 | 49143 | GANCIO SUPPORTO TUBO ACQUA | TUBE SUPPORT HOOK |
| 51 | 9035 | VELLO COMPLETO CON ABRASIVO | WASHING FLEECE TOOL |