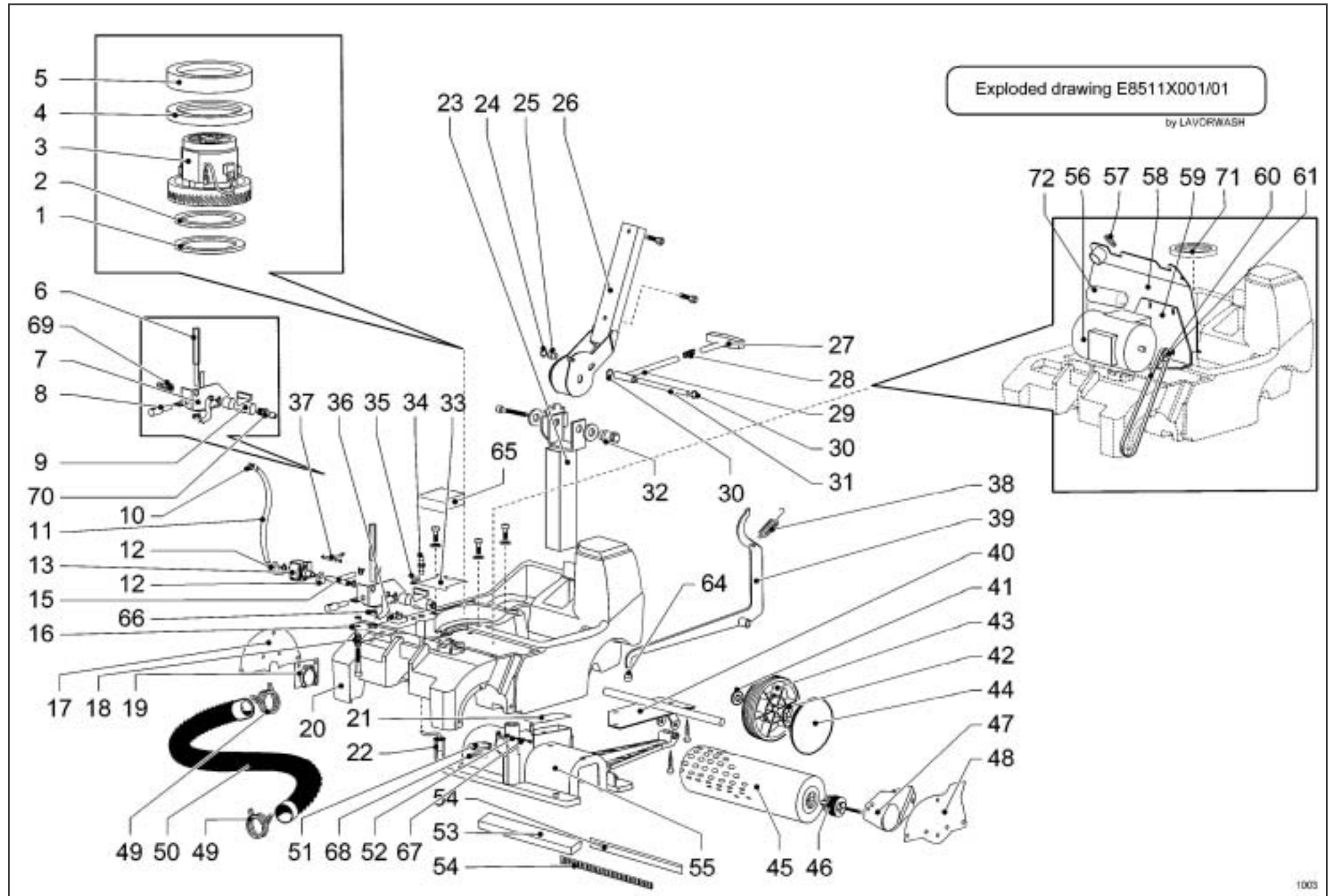


SLC MULTIMATIC 350



# LISTA RICAMBI

CODICE: 8.511.0001 REV.: 1 DESCRIZIONE: SLC MULTIMATIC 350

DATA INIZIO VAL.: 28/04/2003 DATA FINE VAL.: 01/01/3000

CODICE GRUPPO: R85110001 REV.: 1 DESCRIZIONE: LAVASCIUGA PAVIMEN.MULTIMATIC  
350 230/50 -COFANATURA

DATA INIZIO VAL.: 28/04/2003 DATA FINE VAL.: 01/01/3000 N.TAVOLA: E8511C001/01

CODICE:	DESCRIZIONE:	QTA.:	POS.:
4.507.0033	TRIGGER RETURN SPRING SCL 350 WIRE D.0.5 ESP.00	1	01
4.508.0072	TRIGGER FOR WASHER-DRYER 350 SP.00	1	02
3.401.0070	SAJA MICROSWITCH XGG2-8 8-S21 16A 250V T85 5E4	2	03
4.507.0338	STEEL TRIGGER SUPPORT FOR ER-DRYER 350L ESP.00	1	04
5.009.0293	RED SWITCH+SWITCH PROTECTOR	2	05
5.009.0480	DOUBLE RED LUMINOUS SWITCH + RASNPART.PROTECT. GROUP	1	06
4.508.0360	HANDLE FOR WASHER-DRYER 350L SP.00	1	07
3.499.0028	LIGHT SR3 D.10 220/240 V T.120 DEGREES	2	08
4.508.0311	ELECTRICAL BOX COVER BLACK WASHER-DRYER 350L ESP.00	1	09
4.507.0339	HANDLE FOR TANK ? 6 FOR -DRYER 350L ESP.00	1	10
4.508.0305	DARK GREY COVER FOR RECOVERY ANK FOR W-DRYER 350L ESP.00	1	11
4.507.0331	LEAF SPRING FOR COVER OF R-DRYER 350 LWS	2	12
4.508.0309	LOWER PRIMING TANK CLOSURE HER FOR W-DRYER 350L ESP.00	1	13
4.508.0298	TRAPEZOID WASHER FOR TANK R OF WASHER-DRYER 350L	1	14
4.507.0337	PIN FOR FLOAT SIZE ??? FOR WAS HER-DRYER 350L ESP.00	1	15
4.507.0336	TUBE-BLOCKING PLATE FOR -DRYER 350L ESP.00	1	16
4.507.0362	ASPIRATION FILTER FOR RYER 350L	1	17
4.508.0359	FLOAT ? 84 FOR WASHER-DRYER 35 0L ESP.00	1	18
4.008.0041	PRESSURE REGULATOR KNOB LACK	1	19
4.513.0164	FRONT HOOD GREY RAL 1018 FOR W ASHER-DRYER 350L ESP.00	1	20
4.508.0073	HANDLE COVER FOR 350 BLACK ESP.01	1	21
4.508.0071	CABLE HOOK FOR WASHER-DRYER 0 ESP.00 1 22	1	22
4.508.0070	CABLE HOOK WITH BLOCK FOR YER 350 ESP.00 1 23	1	23
4.512.0001	CABLE H05VV-F 3X1,5 MT.15,5 WITH SHUKO PLUG	1	24
3.406.0004	TIN CABLE HOLDER ANTI-TEAR PG. 11	1	25
4.508.0304	RECOVERY TANK GREY RAL1018 WASHER-DRYER 350L ESP.00	1	26
4.508.0308	ADHESIVE UNDER-FILTER WASHER 8x70xsp3 FOR W.DRY.350L ESP.00	1	27
4.508.0307	VERTICAL TUBE WASHER Size 41x6 5h8 FOR W-DRYER 350L ESP.00	1	28
5.509.0017	COMPLETE CARPET SLIDE HOLES FOR W-DRYER 350 1 26	1	29
5.509.0038	COMPLETE CARPET SLIDE WITH ES FOR W-DRYER 350 1 26	1	30
4.508.0306	BLACK CURVED TUBE FOR COVER R W-DRYER 350L ESP.00	1	31
4.508.0363	SPONGE FOR FILTER OF W-DRYER 3 50L ESP.00	1	32
5.512.0002	SET OF 4 SCREWS + DISCHARGE BE SCL 350 1 28	1	33
3.003.0009	KNOB M6	1	34

# LISTA RICAMBI

CODICE: 8.511.0001 REV.: 1 DESCRIZIONE: SLC MULTIMATIC 350

DATA INIZIO VAL.: 28/04/2003

DATA FINE VAL.: 01/01/3000

CODICE GRUPPO: R8511X001 REV.: 1 DESCRIZIONE: LAVASCIUGA PAVIMEN.MULTIMATIC  
350 230/50 BASE DA FINIRE

DATA INIZIO VAL.: 28/04/2003

DATA FINE VAL.: 01/01/3000

N.TAVOLA: E8511X001/01

CODICE:	DESCRIZIONE:	QTA.:	POS.:
4.508.0076	PRIMER WASHER 55X80X12	Y TANK SCL 350 ESP.00	1 01
4.508.0077	WASHER Size 55X80X8 ASPIRATION	MOTOR SCL 350 ESP.00	1 02
3.755.0023	UNIVERSAL MOTOR 230/50-60Hz	950W FOR SCRUBBER-DRIERS 350	1 03
4.508.0065	WASHER FOR APSIRATION MOTOR	WASHER-DRYER 350 ESP.00	1 04
4.215.0007	CIRCULAR GASKET PPI 30		1 05
4.506.0007	SCREW FOR ADJUST.	SCL 350 ESP.00	1 06
4.507.0015	TAPS AND HOOD SUPPORT	FOR W-DRYER 350 ESP.02	1 07
3.100.0105	THRU-WALL COUPLING SOCKET	FLASHING RING	1 08
3.105.0008	TAP WITH BALL VALVE 1/4"M PVSF	022200	1 09
3.099.0312	CLICK-ON BAND Thickness.5.5mm	Diam. 9.5mm	11 10
4.508.0199	DETERGENT TUBE 6X9 L=850 ESP.0	0	1 11
3.752.0055	"L" SHAPED ANTIVIBRATOR FOR DE	TERGENT PUMP (801022)	2 12
3.752.0010	DETERGENT PUMP CEME 32W E508	X GNP 230-240/50	1 13
5.509.0020	BY-PASS GROUP SCL 350		1 15
4.507.0018	BRUSH-COVER SUPPORT PLATE	WASH-DRYER 350	1 16
4.507.0009	RIGHT STEEL BRUSH-COVER	T FOR W-DRYER 350 ESP.00	1 17
4.507.0024	SPRING FOR BRUSH-COVER SCL 350	ESP.02	2 18
4.508.0048	BRUSH-BLOCK FORK FOR	YER 350	1 19
4.508.0361	DARK GREY LOWER TANK FOR	R-DRYER 350L ESP.00	1 20
4.508.0055	INSPECTION COVER FOR	YER 350	1 21
3.102.0007	WATER ASPIRATION FILTER Diam.2	2x43 1/4"F FB 17	1 22
5.513.0002	SUPPORT FOR HANDLE UPRIGHT OF	W-DRYER 350 ESP.00	1 23
3.099.0311	SEEGER RING Diam.8 UNI 7435		1 24
4.506.0008	WHEEL FOR BAR SCL 350 ESP.00		1 25
5.513.0001	HANDLE UPRIGHT FOR	350 ESP.00	1 26
3.099.0307	HANDLE FOR TIE ROD COL. BLACK	MODEL MT/58/FFC-M6	1 27
4.507.0020	HANDLE ADJ.TIE ROD SPRING D.7.	4-10L=33WIRE 1.3 SCL350 ESP.00	1 28
4.507.0019	HANDLE ADJUSTMENT TIE ROD SCL	350 ESP.00	1 29
3.099.0310	SEEGER RING Diam.10 UNI 7435		2 30
4.507.0023	STOP PIN SCL 350 ESP.00		1 31
4.507.0022	HANDLE CENTRING BUSHING SCL	0 ESP.01	2 32
4.507.0027	STEEL ASPIRATION MOTOR	FOR W-DRYER 350 ESP.02	1 33
3.100.0114	STRAIGHT CONNECTION TO	HOLDER PG6 1/4"G PRDP120606-1	1 34
3.100.0106	THRU-WALL RUBBER-HOLDER	TION WITHOUT O-RING	1 35
3.400.0026	DIODE BRIDGE 25A/600V KBPC-SH	E0001003	1 36
3.100.0101	"T" SHAPED CONNECTION BLACK		1 37
4.507.0017	BAR RETURN SPRING WIRE Diam. 1	.2 SCL 350 ESP.00	1 38
5.513.0004	RAISING BAR FOR WASHER-DRYER	50 ESP.00	1 39
5.513.0003	BASE FOR HANDLE SUPP.+AXLE	D BLACK FOR W-DRYER 350 ESP.03	1 40
4.508.0083	WHEELS SPACER SCL 350 ESP.00		2 41
3.099.0051	WHEEL HOLDER BLOK 12 (HUB D.12 )		2 42
3.006.0034	WHEEL Diam.150 HOLE 12 GREY (S	P 150)	2 43
3.099.0073	BLACK WHEEL COVER STUD FOR	150	2 44
4.508.0080	BRUSH PP D.100 LTH.350 W-DRYER	350 (BRISTLES.0.3mm) ESP.00	1 45
4.508.0047	BRUSH TURNING PULLEY SCL 350 E	SP.00	1 46
4.508.0150	BELT COVER CASING FOR	RYER 350 ESP.01	1 47
4.507.0010	LEFT STEEL BRUSH SUPPORT FOR	-DRYER 350 ESP.00	1 48
3.099.0309	WIRE BAND Diam.40 -CLAMP-		2 49
3.752.0058	FRAMED SPIRAL ASP.TUBE MT.0.42	Ext.diam.41 Int.diam.35	1 50
4.508.0053	ACCESSORIES ATTACHMENT	CL 350 ESP.00	1 51

# LISTA RICAMBI

CODICE: 8.511.0001      REV.: 1      DESCRIZIONE: SLC MULTIMATIC 350

DATA INIZIO VAL.: 28/04/2003      DATA FINE VAL.: 01/01/3000

CODICE GRUPPO: R8511X001      REV.: 1      DESCRIZIONE: LAVASCIUGA PAVIMEN.MULTIMATIC  
350 230/50 BASE DA FINIRE

DATA INIZIO VAL.: 28/04/2003      DATA FINE VAL.: 01/01/3000      N.TAVOLA: E8511X001/01

CODICE:	DESCRIZIONE:	QTA.:	POS.:
3.099.0351	PIN FOR FRONT ACCESSORY CAP Di am.4X40 (UNI 1707) W.-DRY.350	1	52
4.508.0050	FLOOR RUNNER FOR 350	2	53
4.508.0069	RUBBER FOR FLOOR WIPER	4	54
5.509.0018	BRUSH-COVER COMPLETE WITH E FOR W-DRYER 350	1	55
3.302.0050	ELECT.MOT.230/50 4P D110H90MEC 71+COND+SCAT.EL.+TERM.LAV.350	1	56
4.508.0362	WASHER FOR MULTIM. TUBE 350 ES P.00	1	57
5.513.0073	BLACK STEEL COVER OR W-DRYER 350L	1	58
4.507.0385	STEEL MOTOR SUPPORT ? 110 FOR W-DRYER.350 ESP.01	1	59
3.099.0304	POLY-V BELT mm610 CP240J6 (6 r ibs/5 grooves) 1 60	1	60
4.505.0007	POLY-V MOTOR PULLEY DIAM. 25 S CL 350 ESP.01 1 61	1	61
3.099.0353	STAIN RESISTANT OUTER CAP FOR TUBE Diam.12 1 64	1	64
4.008.0595	SD FILTER	2	65
4.507.0025	LOCK NUT M10 WITH LAT. HOLE M4 SCL 350 ESP.00 1 66	1	66
4.507.0030	ACCESSORIES.CAP SPRING SCL 3 5 0 WIRE Diam1 ESP.00 1 67	1	67
4.508.0078	WASHER SIZE 34x50x3 FOR ACCESS ORY CAP SCL 350 ESP.00	1	68
3.100.0117	STRAIGHT CONNECTION FOR	1	69
3.100.0103	STRAIGHT CONNECTION M BLACK	1	70
4.508.0309	LOWER PRIMING TANK CLOSURE HER FOR W-DRYER 350L ESP.00	1	71