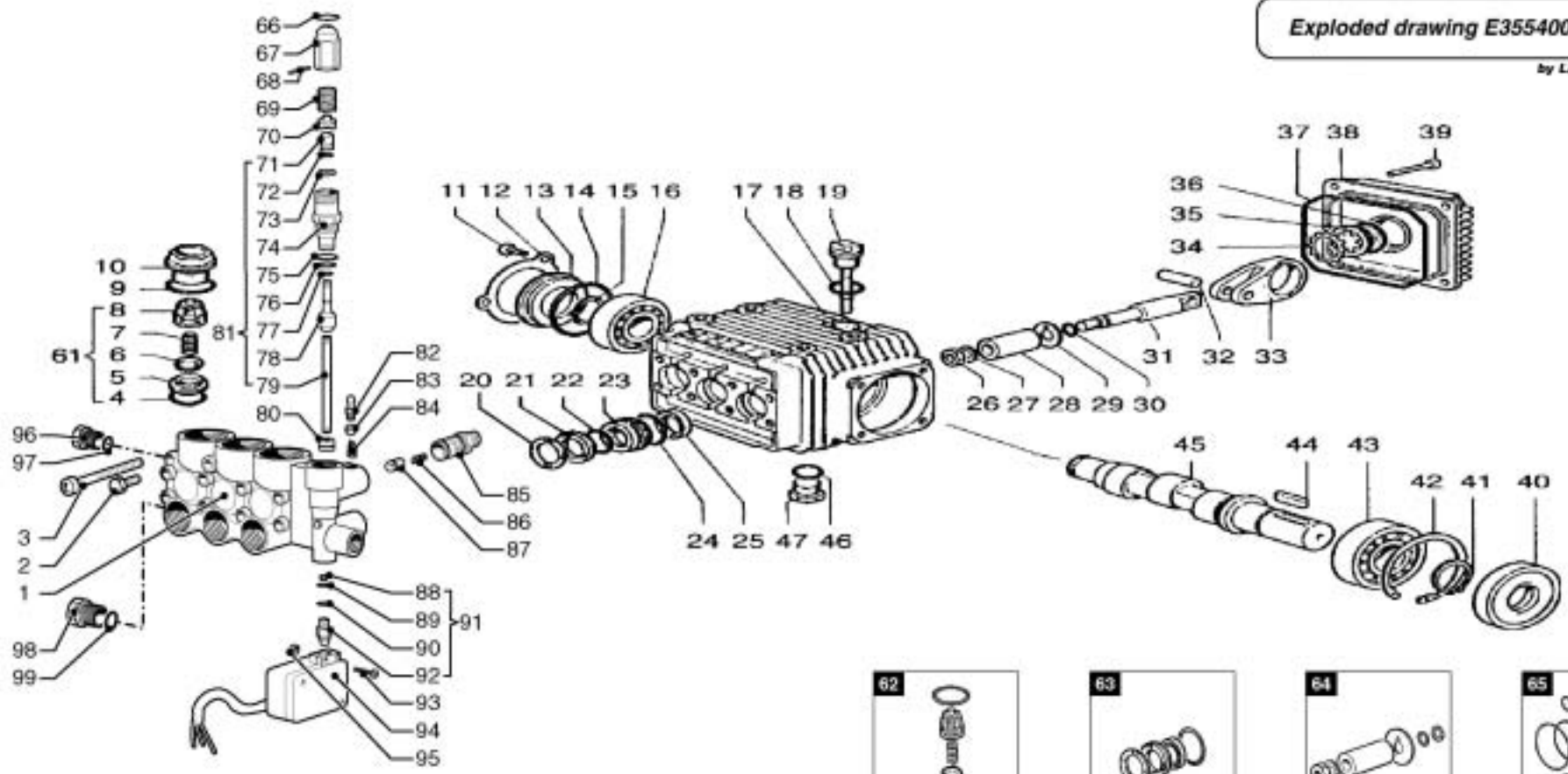



Ontario 34 (liste pièces détachées p. 1 et 2)

Exploded drawing E35540004/01

by LAVORWASH



62



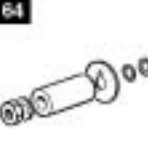
Item	Qty
4	6
5	6
6	6
7	6
8	6
9	6

63



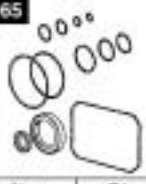
Item	Qty
20	3
21	3
22	3
24	3

64



Item	Qty
26	3
27	3
28	3
29	3
30	3

65



Item	Qty
4	6
9	6
14	1
18	1
24	3
25	3
30	3
36	1
37	1
40	1
46	1

LISTA RICAMBI

CODICE: 8.615.0001 **REV.:** 2 **DESCRIZIONE:** NETTOYEUR HAUTE PRESSION ONTARIO 34

DATA INIZIO VAL.: 01/07/2003 **DATA FINE VAL.:** 01/01/3000

CODICE GRUPPO: R35540016 **REV.:** 2 **DESCRIZIONE:** POMPA LW-K 3025 S SX 1450 rpm
(6300075100) A.S.S.

DATA INIZIO VAL.: 03/10/2002 **DATA FINE VAL.:** 01/01/3000 **N.TAVOLA:** E35540004/01

CODICE:	DESCRIZIONE:	QTA.:	POS.:
3.555.0133	BRASS HEAD D.18 32180107.00	1	01
3.555.0076	HEAD CAP G1/8 3202.0018.00	1	02
3.555.0077	SCREW M6X55 3609.0152.00	8	03
3.555.0005	OR 2.62X17.13 1210.0046.00	6	04
3.555.0006	VALVE PLATE SEAT 3009.0087.00	6	05
3.555.0007	STEEL PLATE FOR VALVE 3604.0017.00	6	06
3.555.0008	VALVE SPRING 1802.0177.00	6	07
3.555.0009	VALVE CAGE 1205.0025.00	6	08
3.555.0010	OR 2.62X20.24 FOR CAP 1210.0048.00	6	09
3.555.0012	VALVE CAP 3202.0155.00	6	10
3.555.0078	SCREW M5X10 3609.0088.00	3	11
3.555.0057	CLAMP FOR CAP 1004.0012.00	1	12
3.555.0056	SMALL COVER 0402.0172.00	1	13
3.555.0055	OR 3.53X44.04 1210.0386.00	1	14
3.555.0079	SPACER 3019.0011.00	1	15
3.555.0054	BEARING 20X52X15 0438.0069.00	1	16
3.555.0053	PUMP HOUSING 0403.0128.00	1	17
3.555.0052	OR 1.78X14 1210.0093.00	1	18
3.555.0080	OIL LEVEL POLE 3200.0051.00	1	19
3.555.0046	HEAD RING D.18 0009.0193.00	3	20
3.555.0047	GASKET D.18 1241.0035.00	3	21
3.555.0048	GASKET 18X25X5.5 1241.0028.00	3	22
3.555.0049	HOLDER RING FOR SEAL D.18 0009.0197.00	3	23
3.555.0085	OR (SEAL) 1210.0223.00	3	24
3.555.0051	OIL SEAL 0019.0095.00	3	25
3.555.0059	NUT 0600.0048.00	3	26
3.555.0060	WASHER 8.2X14X1.5 2811.0080.00	3	27
3.555.0061	PISTON D.18 0202.0018.00	3	28
3.555.0062	WASHER FOR PISTON BASE 2812.0038.00	3	29
3.555.0063	OR-1.78X6.07 1210.0055.00	3	30
3.555.0064	PISTON GUIDE 2409.0044.00	3	31
3.555.0065	PLUG 3011.0014.00	3	32
3.555.0066	CONNECTING ROD 0205.0050.00	3	33
3.555.0067	GASKET 3019.0033.00	1	34
3.555.0068	OIL LEVEL INDICATOR 3201.0010.00	1	35
3.555.0069	OR 1.78X23.52 1210.0333.00	1	36
3.555.0070	OR 2.62X101.27 1210.0206.00	1	37
3.555.0087	HOUSING COVER 0402.0142.00	1	38
3.555.0088	SCREW M6X25 3609.0041.00	4	39
3.555.0074	SEAL RING 0019.0094.00	1	40
3.555.0089	RING SELGER C72 3019.0006.00	1	41
3.555.0090	RING SELGER C72 3020.0012.00	1	42
3.555.0073	BEARING 25X62X17 0438.0071.00	1	43
3.555.0072	KEY 8X7X28 1602.0045.00	1	44
3.555.0071	SHAFT D.24 0001.0290.00	1	45
3.555.0052	OR 1.78X14 1210.0093.00	1	46
3.555.0016	CAP 3/8 CAS 3200.0007.00	1	47
3.555.0016	CAP 3/8 CAS 3200.0007.00	1	48
3.555.0015	WASHER 16.7X22X1.5 2811.0084.00	1	49
3.555.0014	BRASS CAP G1/2 3202.0015.00	1	50

LISTA RICAMBI

CODICE: 8.615.0001 **REV.:** 2 **DESCRIZIONE:** NETTOYEUR HAUTE PRESSION ONTARIO 34

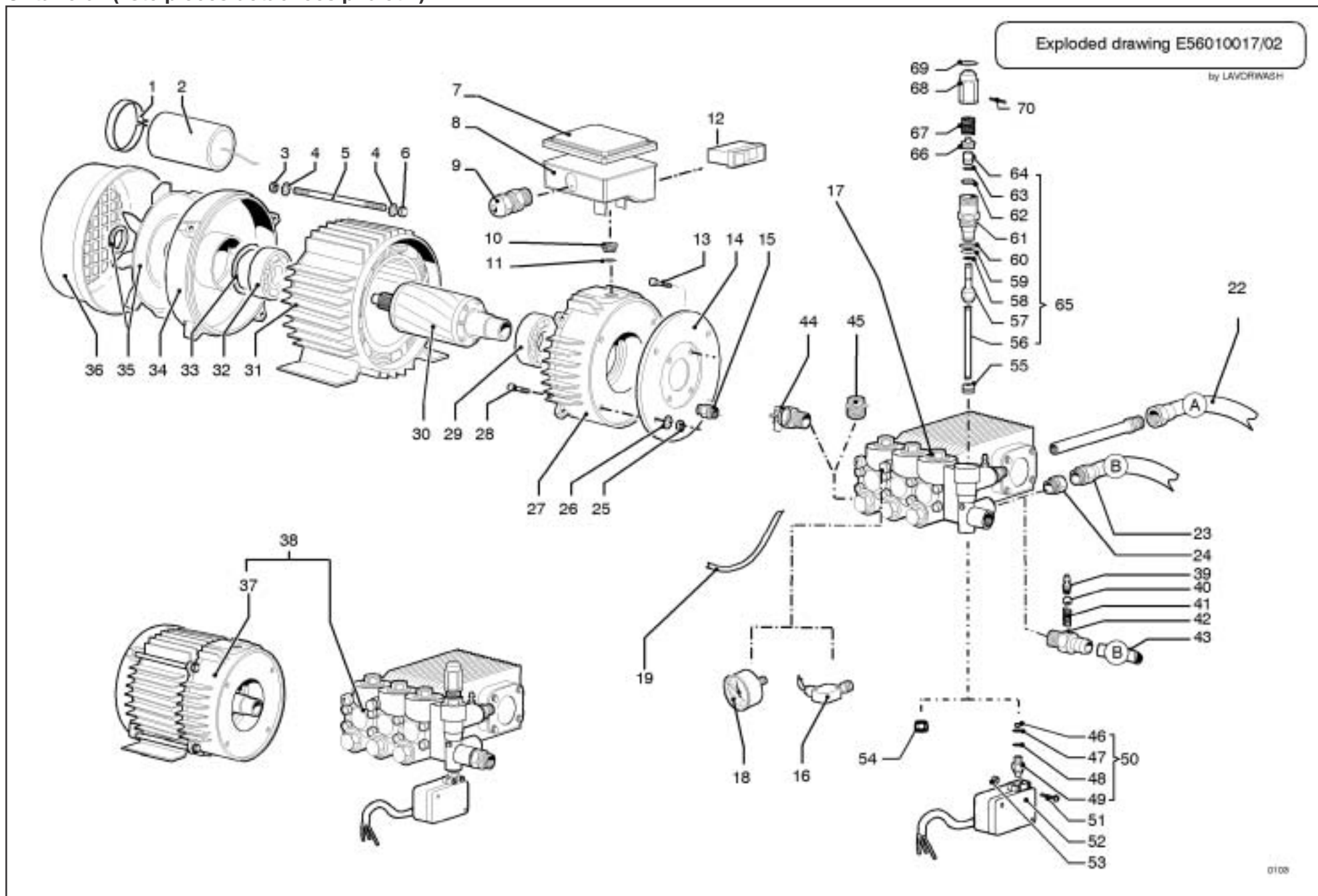
DATA INIZIO VAL.: 01/07/2003 **DATA FINE VAL.:** 01/01/3000

CODICE GRUPPO: R35540016 **REV.:** 2 **DESCRIZIONE:** POMPA LW-K 3025 S SX 1450 rpm
(6300075100) A.S.S.

DATA INIZIO VAL.: 03/10/2002 **DATA FINE VAL.:** 01/01/3000 **N.TAVOLA:** E35540004/01

CODICE:	DESCRIZIONE:	QTA.:	POS.:
3.555.0013	WASHER 21.2X27.1X1.5	2811.0086.00	1 51
3.555.0045	VALVE ASSY 1220.0030.00		6 61
3.555.0028	COMPLETE VALVE KIT	5025.0011.00	1 62
3.555.0024	WATER SEAL KIT FOR LW 3525	5019.0037.00	1 63
3.555.0027	PISTON KIT LW 3525	2409.0072.00	1 64
3.555.0025	OIL VALVE KIT FOR LW	5019.0040.00	1 65
4.607.0259	NO RETURN VALVE SPRING L=20		1 86
5.609.0041	NON RETURN VALVE + OR	ASSEMBLY	1 87
3.555.0016	CAP 3/8 CAS 3200.0007.00		1 96
3.555.0015	WASHER 16.7X22X1.5	2811.0084.00	1 97
3.555.0014	BRASS CAP G1/2 3202.0015.00		1 98
3.555.0013	WASHER 21.2X27.1X1.5	2811.0086.00	1 99

Ontario 34 (liste pièces détachées p. 3 et 4)



LISTA RICAMBI

CODICE: 8.615.0001 REV.: 2 DESCRIZIONE: NETTOYEUR HAUTE PRESSION ONTARIO 34

DATA INIZIO VAL.: 01/07/2003

DATA FINE VAL.: 01/01/3000

CODICE GRUPPO: R56010182 REV.: 2 DESCRIZIONE: MOTOPOMPA LWM 230/50 4P HP3 TS
LW-K 3025 S SX X FREDDO

DATA INIZIO VAL.: 01/07/2003

DATA FINE VAL.: 01/01/3000

N.TAVOLA: E56010017/02

CODICE:	DESCRIZIONE:	QTA.:	POS.:
3.404.0036	CAPACITOR 80mF 450V D.50	1	02
3.003.0011	NUT E.M6 UNI 5588	8	03
3.004.0010	WASHER	8	04
4.607.0008	TIE ROD MOTOR LW M6X160	4	05
3.003.0019	NUT	4	06
4.608.0138	LMX'S ELECTRIC BOX COVER	1	07
4.608.0139	LMX'S SWITCH ELECTRIC BOX	1	08
3.406.0020	TIGHT ANTI-TEARING CABLE	1	09
4.606.0117	CABLE HOLDER FOR ELECTRIC BOX	1	10
3.200.0027	O-RING 20,24 X 2,62 RIF.3081	1	11
3.401.0042	ETA 3120-F554-P7T1-W02F 20A	1	12
3.002.0039	SCREW TE M6X16	4	13
4.607.0010	MOTOR PUMP COUPLING FLANGE	1	14
3.554.0016	LW-K 3025 S LEFT 1450 RPM PUMP	1	17
3.107.0006	D.40 0/300 BAR 1/8 GLYCERIN	1	18
4.606.0120	SPACER 1/2M 3/4M X	1	24
3.003.0011	NUT E.M6 UNI 5588	4	25
3.004.0035	WASHER GROWER D.6 UNI1751 ZNT	4	26
4.605.0003	ANTERIOR CALOTTE MOTOR LW D. 50	1	27
3.002.0050	SCREW TE M6X25	4	28
3.001.0009	BEARING 6007-2Z	1	29
5.605.0025	ROTOR SHAFT 90X135 ALL.LW	1	30
5.602.0031		1	31
3.001.0010	BEARING 6205-2Z	1	32
3.099.0017	UNLOADING RING D.51XD.42	1	33
4.605.0004	PASTERIOR CALOTTE MOTOR LW.V .150	1	34
3.099.0018	FAN WITH HOLDER	1	35
4.607.0015	FAN COVER MEC 100	1	36
5.606.0050	LWM 230/50 D.150 H135 4P	1	37
5.601.0182	LWM 230/50 4P HP3 TS LW-K 3025	1	38
3.100.0084	1/2"G CAP	1	45
4.608.0112	CONNECTION FOR CAP	1	46
3.200.0007	O-RING GASKET 3,69X1,78 REF.20	15	47
3.200.0059	O-RING 7.66 X1.78	1	48
4.606.0122	CONNECTION 1/8 "G FOR TOTAL ST	1	49
5.609.0105	COUPLYNG ASSY 1/8"G FOR '99	1	50
3.002.0173	TCB SCREW	2	51
5.609.0106	BOX ASSY+MICRO+CABLE 2X1.5	1	52
3.003.0004	NUT	2	53
5.609.0080	SEAL SEAT ASSY +OR	1	55
4.606.0108	CONTROL ROD FOR TS	1	56
4.607.0205	FIXING ROD	1	57
3.200.0020	OR GASKET 2.90X1.78 SHORE 90	1	58
3.200.0071	OR GASKET 11,1X1,78 SH90	1	59
3.200.0005	O-RING 15,6X1,78 REF.2062	1	60
4.606.0092	REGULATOR COUPLING	1	61
3.202.X001	PARBAK 8-011 300-90 X OR 203 1	1	62
3.200.0059	O-RING 7.66 X1.78	1	63
4.607.0204	D.11 PISTON	1	64
5.609.0104	TOTAL STOP SHAFT ESP.01	1	65

LISTA RICAMBI

CODICE: 8.615.0001 **REV.:** 2 **DESCRIZIONE:** NETTOYEUR HAUTE PRESSION ONTARIO 34

DATA INIZIO VAL.: 01/07/2003

DATA FINE VAL.: 01/01/3000

CODICE GRUPPO: R56010182

REV.: 2

DESCRIZIONE: MOTOPOMPA LWM 230/50 4P HP3 TS
LW-K 3025 S SX X FREDDO

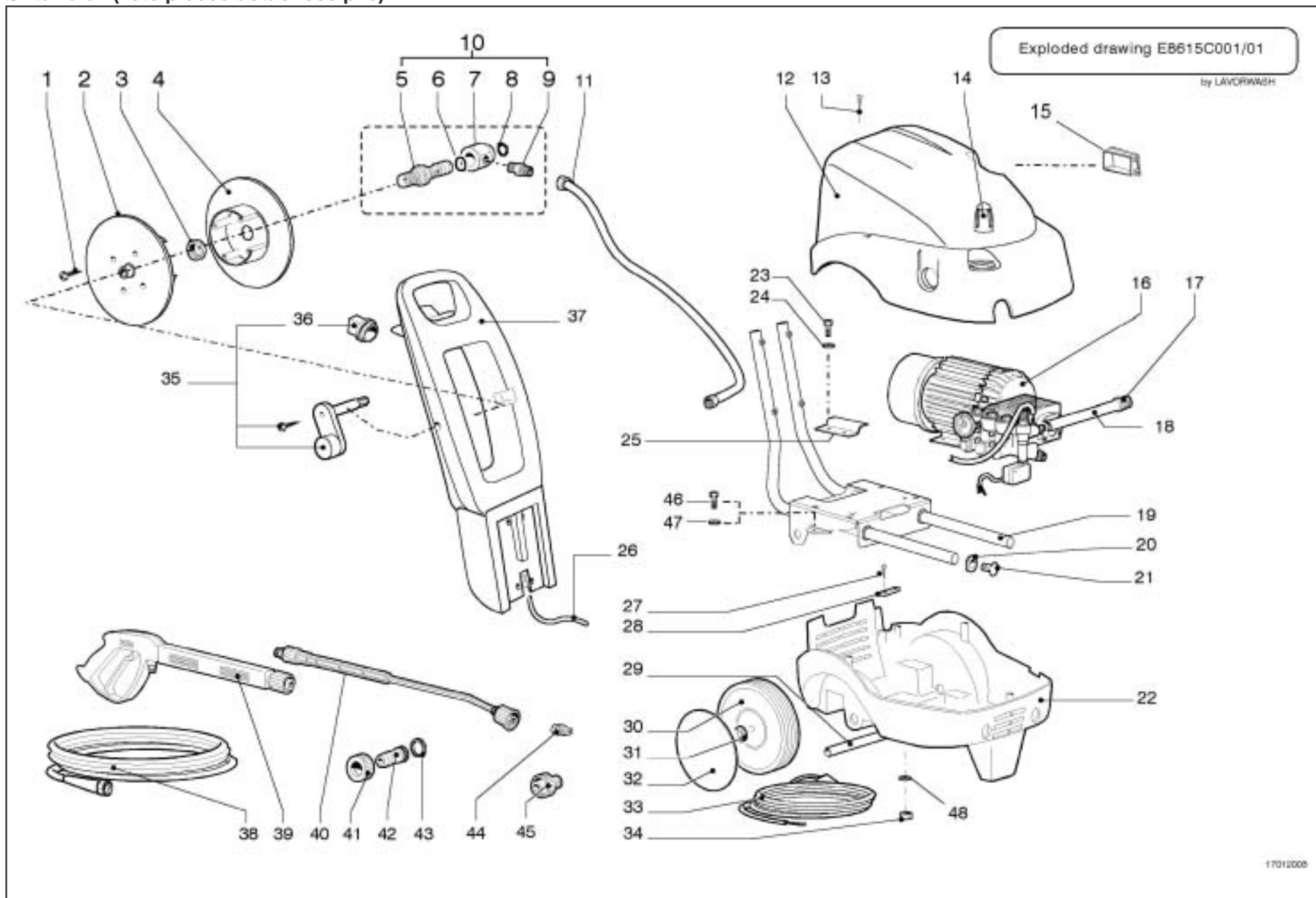
DATA INIZIO VAL.: 01/07/2003

DATA FINE VAL.: 01/01/3000

N.TAVOLA: E56010017/02

CODICE:	DESCRIZIONE:	QTA.:	POS.:
4.607.0206	PLATE FOR SPRING	1	66
4.607.0207	PRESSURE REGULATION SPRING	1	67
4.606.0093	PRESSURE REGULATION KNOB	1	68
3.200.0046	O-RING 21,95X1,78 REF.2087	1	69
3.099.0136	PLUG	1	70
4.606.0105	SPACER FOR HEAD REGULATOR	1	71

Ontario 34 (liste pièces détachées p. 5)



LISTA RICAMBI

CODICE: 8.615.0001 **REV.:** 2 **DESCRIZIONE:** NETTOYEUR HAUTE PRESSION ONTARIO 34

DATA INIZIO VAL.: 01/07/2003 **DATA FINE VAL.:** 01/01/3000

CODICE GRUPPO: R86150001 **REV.:** 1 **DESCRIZIONE:** ONTARIO 34 230/50 TS -G- LWS

DATA INIZIO VAL.: 17/09/2002 **DATA FINE VAL.:** 01/01/3000 **N.TAVOLA:** E8615C001/01

CODICE:	DESCRIZIONE:	QTA.:	POS.:
4.613.0159	ONTARIO COVER WITHOUT HOSE REEL -G- RAL. 1018	1	12
3.002.0007	SELF TAP.SCREW TC-TC3,9X25 ID FIX ZNT	3	13
4.608.0143	LTX'S ADJUSTABLE KNOB	1	14
4.608.0151	ONTARIO'S SWITCH PROTECTION	1	15
5.601.0182	LWM 230/50 4P HP3 TS LW-K 3025 S LEFT MOTORPUMP	1	16
3.100.0018	RAPID COUPLING 3/8" M. 08 (465)	1	17
4.607.0249	WATER EXIT 3/8F 3/8F SPACER	1	18
5.613.0171	COMPLETE CHASSIX	1	19
3.004.0033	THICKNESS WASHER 17,2X24X0,5 DIN988 ZNT	2	20
4.608.0089	TUBE PLUG D.20	2	21
4.613.0157	LOWER COVER	1	22
3.002.0044	SCREW TE M8X16 UNI 5739 ZNT	4	23
3.004.0011	D8X15 WASHER	4	24
4.607.0011	MOTOR FOOT CLAMP	2	25
4.008.0379	TRANSPARENT TUBE D.6X9 L.730	1	26
3.002.0106	SCREW TC-TC 3.9X16 UNI 6954ZNT	2	27
4.008.0277	FIX PAD CABLE HOLDER	1	28
4.607.0246	AXLE-BAR	1	29
3.006.0032	D 220X55 WHEEL HOSE D.15	2	30
3.099.0020	DIAM.150 WHEEL D.15 CLIP	2	31
3.099.0283	WHEEL COVER	2	32
4.612.0037	CABLE H05PVC	1	33
3.003.0011	NUT E.M6 UNI 5588	2	34
4.608.0027	CAP DIAM.30 FOR TANK FIRE 100	1	36
4.008.0611	UNIVERSAL HANDLE WITHOUT HOSE REEL WITH SUCTION	1	37
4.618.0016	HOSE 5/16 210BAR MT.10 C/M AP1 031 3/8 MT. 10	1	38
6.001.0053	GUN S'02C 3/8"-M22 ESP.02	1	39
3.701.0015	LANCE L.700 +PL4/1+WASHER+ QUICK CONN.M22 41102850	1	40
3.100.0003	HOSE HOLDER 3/4 BUSH	1	41
3.100.0060	HOSE HOLDER DIAM.17	1	42
3.004.0032	RUBBER WASHER	1	43
3.103.0050	H.P.NOZZLE 15045 1/8M	1	44
3.100.0043	3/8" M ROTATING QUICK COUPLING	1	45
3.002.0040	SCREW TE M6X20 UNI 5739 ZNT	2	46
3.004.0035	WASHER GROWER D.6 UNI1751 ZNT	2	47
3.004.0007	GLIDED WASHER 6X18 UNI 6593 ZN T	2	48