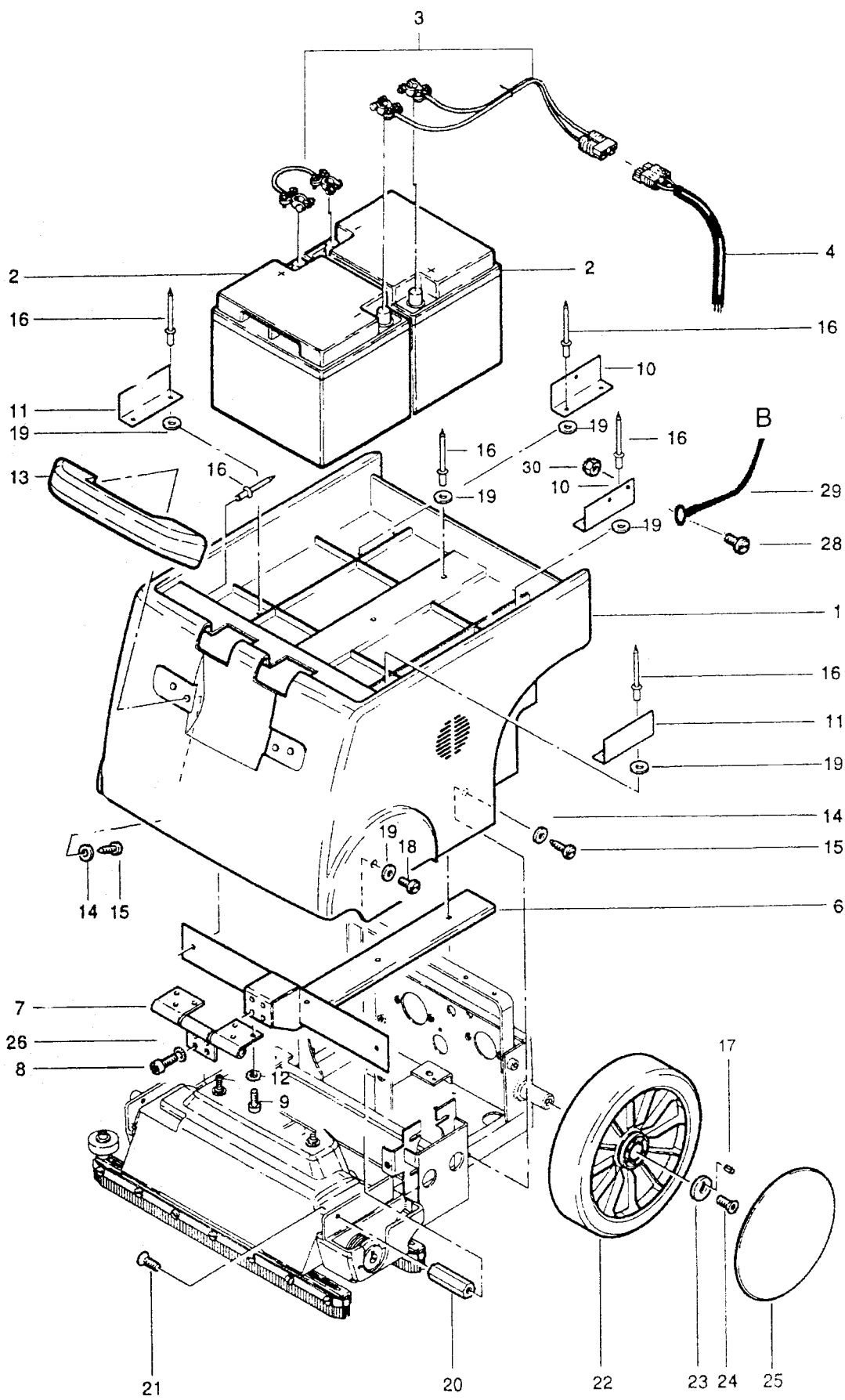


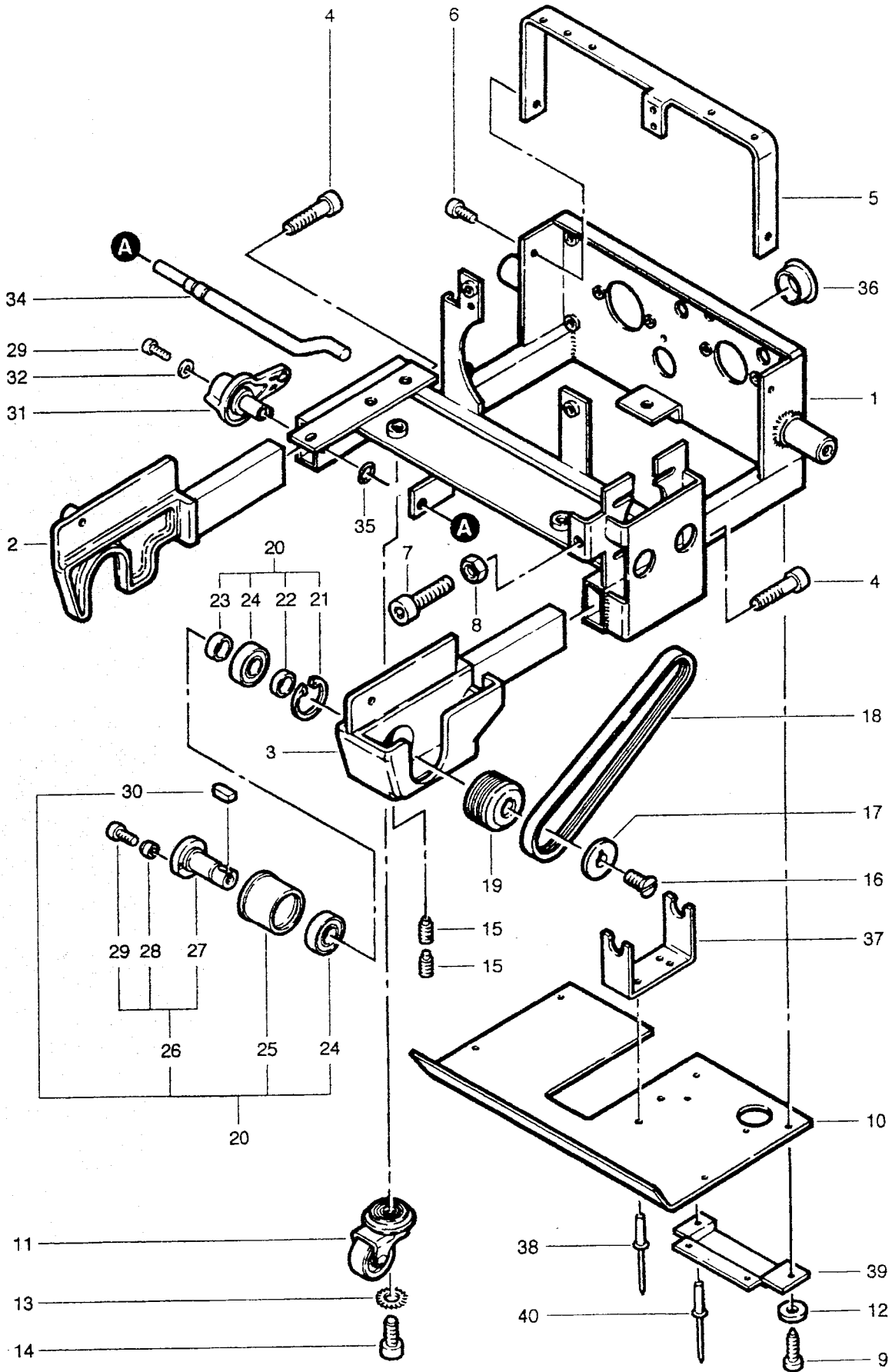
RA33 B20

POS.	BEZEICHNUNG	DESCRIPTION	DESIGNATION	DESIGNATION
1	20445200 HAUBE KOMPLETT	TANK COVER COMPLETE	CAPOT COMPLETE	COPERCHIO SERBATOIO CPL.
2	20610200 SIEB	FILTER	FILTRE	FILTRO
3	20481600 HAUBE	TANK COVER	CAPOT	COPERCHIO
4	20320900 HAUBENDICHTUNG	TANK COVER SEAL	JOINT POUR CAPOT	GUARNITONE COPERCHIO
5	20610300 DECKEL ZU FRISCHWASSER TANK	COUVERCLE POUR EAU PROPRE	CLEAN WATER TANK COVER	COPERCHIO
7	20610400 NYLONSCHNUR	CORDE	CORDLE	CORDONCINO IN NYLON
11	20610500 FRISCHWSSERTANK	FRESH WATER TANK	RECIPIENT D'EAU FRAICHE	SERBATOIO SOLUZIONE DETERG.
12	20610600 BEHÄLTER	TANK	RECIPIENT	SERBATOIO
13	20610700 ANSAUGSCHLAUCH KPL.	SUCTION HOSE COMPLETE	TUYAU D'ASPIRATION CPL.	TUBO ASPIRAZIONE
14	20486100 NIPPEL GERADE G1/4"	STRAGHTNIPPLE G1/4"	RACCORD DROITE G1/4"	RACCORDO DIRITTO G1/4"
15	20403305 ANSAUGSCHLAUCH 450mm	SUCTION HOSE 450mm	TUYAU D'ASPIRATION 450mm	TUBO ASPIRAZIONE 450mm
16	20405300 FRISCHWASSERFILTER	FRESCH WATER FILTER	FILTRE D'EAU PROPRE	FILTRO SOLUZIONE DETERG.
18	20456100 MUTTER G3/8"	NUT G3/8"	ECROU G3/8"	DADO G3/8"
19	20319700 DICHTSCHEIBE 30/17X2	GASKET 30/17X2	JOINT 30/17X2	SPESSORE 30/17X2
20	20610800 HOHLNIPPEL G3/8"-1/4"	REDUCER G3/8"-1/4"	RACCORD G3/8"-1/7"	RACCORDO TUBOLARE G3/8"-1/4"
21	20456000 SCHNELLKUPPLUNG 1/4"	FEMALE QUICK CONNECTOR 1/4"	ACCOUPLLEMENT RAPIDE 1/4"	ATTACCO RAPIDO 1/4"
22	20610900 ABLAUFSCHLAUCH KPL.	DISCHARGE HOSE COMPLETE	TUYAU DE VIDANGE CPL.	TUBO DI SCARICO COMPLETO
24	20611000 ABLAUFSCHLAUCH 330mm	DISCHARGE HOSE 330mm	TUYAU DE VIDANGE 330mm	TUBO DI SCARICO 330mM
26	20468500 SCHLAUCHBRIDE Ø39,6	HOSE CLAMP Ø39,6	COLLIER DE SERRAGE Ø39,6	FASCETTA TUBO Ø39,6
27	20448400 SCHLAUCHMUFFE	HOSE SOCKET	MANCHON	MANICOTTO TUBO
28	20320000 DECKEL ZU SCHLAUCHMUFFE	HOSE SOCKET CAP	COUVERCLE DU MANCHON	COPERCHIO MANICOTTO
29	20485400 SCHLAUCHHALTER KPL.	HOSE SUPPORT CPL.	SUPPORT POUR TUYAU CPL.	SUPPORTO TUBO COMPLETO
30	20341400 SCHLAUCHHALTER	HOSE SUPPORT	SUPPORT POUR TUYAU	SUPPORTO TUBO
31	20009600 SCHEIBE M5	WASHER M5	RONDELLE M5	RONDELLA M5
33	20119500 6-KT SCHRAUBE M5x12	SCREW M5x12	VIS M5x12	VITE ESAGONALE M5X12
34	20405900 DICHTSCHEIBE Ø35	SEAL Ø35	JOINT Ø35	SPESSORE Ø35
35	20473800 KLEMMSCHEIBE Ø35	WASHER Ø35	RONDELLE Ø35	RONDELLA Ø35
39	20611100 NYLONSCHNUR	NYLON STRING	FIL EN NYLON	CORDONCINO DI NYLON
40	20611200 FEDERRING M6	SPRING RING M6	RONDELLE A RESSORT M6	RONDELLA M6



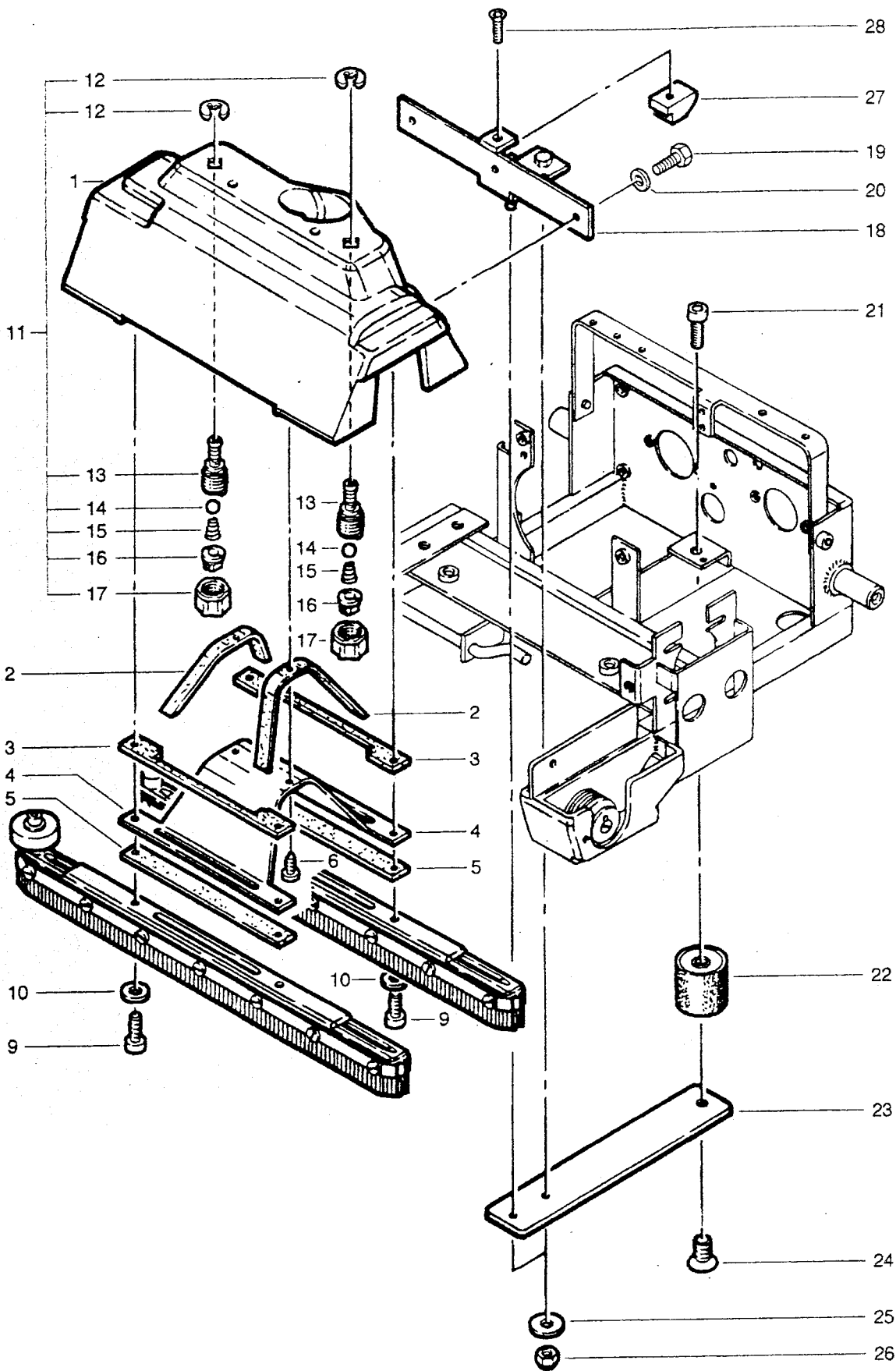
RA33 B20

POS.	BEZEICHNUNG	DESCRIPTION	DESIGNATION	DESIGNATION	
1	20611400	CHASSISABDECKUNG	CHASSIS COVER	COUVERTURE DU CHASSIS	COPERTURA TELAIO
2	20611500	BATTERIESATZ (2x50Ah-GEL)	SET OF TWO DRY BATTERIES (2x50Ah)	SET A BATTERIES (2x50Ah-GEL)	SET BATTERIE (2X50Ah-GEL)
3	20611600	BATTERIEANSCHLUSSKABEL	BATTERIE CABLE LEAD	TORON DE CABLE DES BATTERIES	CAVETTO BATTERIE
4	20611700	MOTORKABELSATZ	MOTOR CABLE LEAD	TORON DE CABLE DU MOTEUR	CAVETTI MOTORE
6	20611800	TRÄGER	SUPPORT	SUPPORT	SUPPORTO
7	20611900	SCHARNIER	HINGE	CHARNIERE	CERNIERA
8	20151900	6-KT.SCHRAUBE M6X12	HEX SCREW M6X12	VIS M6X12	VITE ESAGONALE M6x12
9	20612000	6-KT.SCHRAUBE M5X10	HEX SCREW M5X10	VIS M5X10	VITE ESAGONALE M5x10
10	20612100	WINKEL	ANGLE	ANGLE	ANGOLO
11	20612200	WINKEL	ANGLE	ANGLE	ANGOLO
12	20067400	FEDERRING M5	SPRING RING M5	ANNEAU A RESSORT M5	RONDELLA M5
13	20420444	GRIFF	HANDLE	POIGNEE	MANIGLIA
14	20009600	U-SCHEIBE M5	WASHER M5	RONDELLE M5	RONDELLA M5
15	20468700	SCHRAUBE KA 50x18	SCREW KA 50x18	VIS KA 50x18	VITE KA 50xy18
16	20476100	NIET 4x8	RIVET 4x8	RIVET 4x8	RIVETTO 4x8
17	20612300	SPANNSTIFT	PIN	GOUPILLE	PERNO
18	20420600	FLACHKOPFSCHRAUBE M5X12	PAN HEAD SCREW M5X12	VIS M5X12	VITE M5x12
19	20009600	U-SCHEIBE M5	WASHER M5	RONDELLE M5	RONDELLA M5
20	20612400	DISTANZBOLZEN	DISTANCE BOLT	BOULON DE DISTANCE	DISTANZIALE
21	20162300	SENKSCHEIBE M5X10	SCREW M5X10	VIS M5X10	VITE M5x10
22	20612500	LAUFRAD Ø200X54	WHEEL Ø200X54	ROUE PORTANTE Ø200X54	RUOTA Ø200x54
23	20420900	BEFESTIGUNGSSCHEIBE 30X3	ATTACHING WASHER 30X3	DISQUE DE FIXATION 30X3	RONDELLA DI FISSAGGIO 30x3
24	20047900	SENKSCHEIBE M6X12	SCREW M6X12	VIS M6X12	VITE M6x12
25	20612600	RADKAPPE	WHEEL COVER	COUVERCLE DE LA ROUE	COPERCHIO RUOTA
26	20611200	FEDERRING M6	SPRING RING M6	ANNEAU A RESSORT M6	RONDELLA M6
28	20471800	SCHRAUBE M5x8	SCREW M5x8	VIS M5x8	VITE M5x8
29	20611100	NYLONSCHNUR	NYLON STRING	FIL EN NYLON	CORDONCINO DI NYLON
30	20046000	STOPPMUTTER M5	STOPP NUT M5	ECROU M5	DADO M5



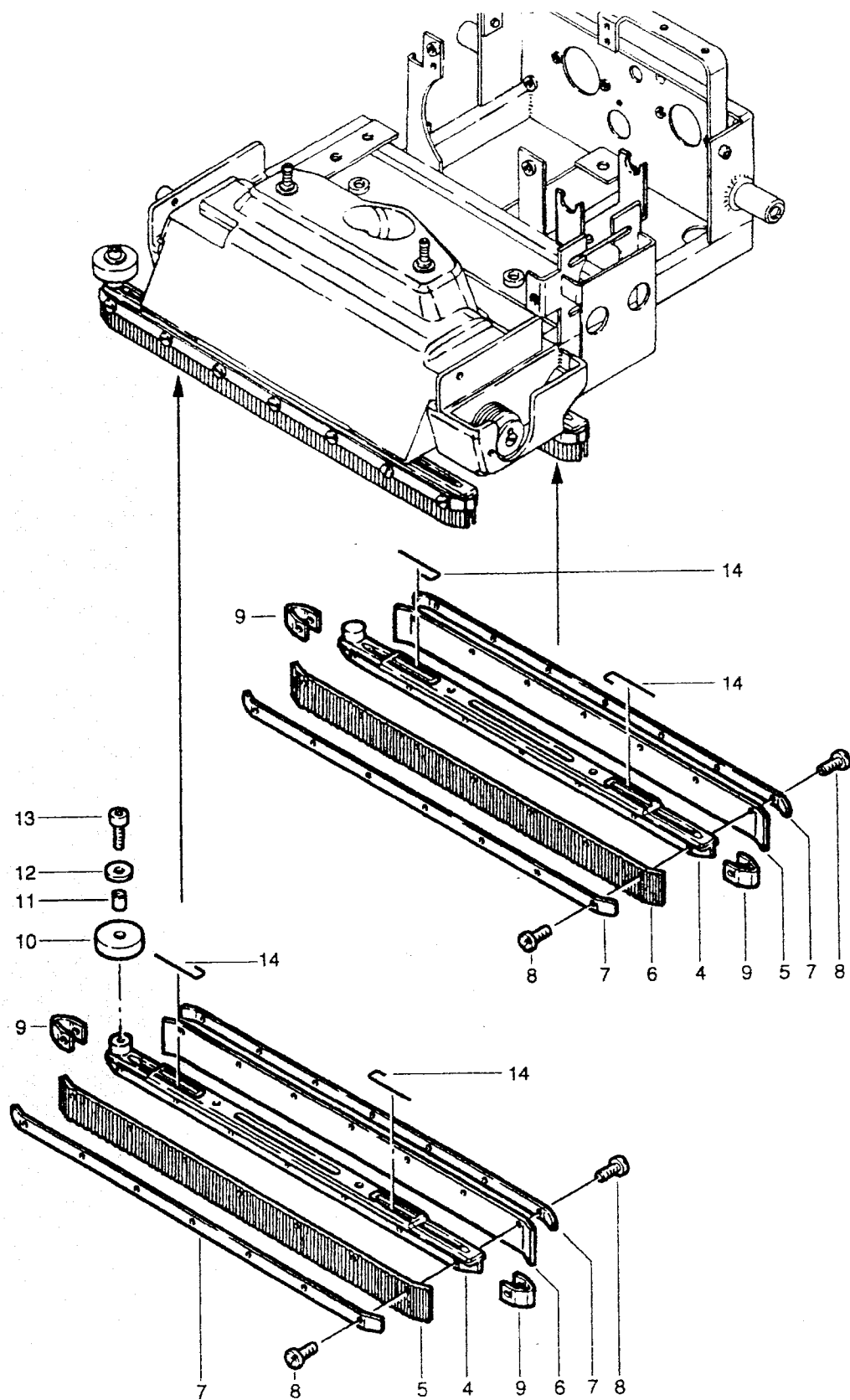
RA33 B20

POS.	BEZEICHNUNG	DESCRIPTION	DESIGNATION	DESIGNATION	
1	20612700	CHASSIS	CHASSIS	CHASSIS	TELAIO
2	20612800	HALTESCHIENE RECHTS	RIGHT SUPPORT	SUPPORT A DROITE	SUPPORTO DESTRO
3	20479700	HALTESCHIENE LINKS	LEFT SUPPORT	SUPPORT A GAUCHE	SUPPORTO SINISTRO
4	20067500	I-6KT-SCHRAUBE M6X25	HEXAGON SCREW M6X25	VIS A 6 PANS M6X25	VITE ESAGONALE M6x25
5	20612900	BÜGEL	FRAME	PIECE COURBE	STAFFA
6	20468000	I-6KT-SCHRAUBE M4X8	SCREW M4X8	VIS M4X8	VITE ESAGONALE M4x8
7	20029200	I-6KT-SCHRAUBE M8X25	SCREW M8X25	VIS M8X25	VITE ESAGONALE M8x25
8	20000500	6-KT MUTTER M8	HEX NUT M8	ECROU A 6 PANS M8	DADO ESAGONALE m8
9	20045300	BLECHSCHRAUBE 2,9X9,5	TIN SCREW 2,9X9,5	VIS A TOLE 2,9X9,5	VITE 2,9x9,5
10	20613000	BODENBLECH	BOTTOM PLATE	PLAQUE DE BASE	BASE IN ALLUMINIO
11	20613100	LENKROLLE	CASTOR	ROULETTE PIVOTANTE	RUOTA PIVOTANTE
12	20112400	SCHEIBE M3	WASHER M3	RONDELLE M3	RONDELLA M3
13	20613200	FEDERRING M10	SPRING RING M10	ANNEAU A RESSORT M10	RONDELLA M10
14	20613700	SCHRAUBE M10X25	SCREW M10X25	VIS M10X25	VITE M10x25
15	20439900	GEWINDESTIFT M5X5	THREAD PIN M5X5	VIS SANS TETE M5X5	PERNO FILETTATO M5x5
16	20047900	SENKSCHEIBE M6X12	SCREW M6X12	VIS M6X12	VITE M6x12
17	20420900	BEFESTIGUNGSSCHEIBE 30X3	ATTACHING WASHER 30X3	DIAQUE DE FIXATION 30X3	RONDELLA DI FISSAGGIO 30x3
18	20613300	ANTRIEBSRIEMEN	DRIVING BELT	COURROIE DE TRANSMISSION	CINGHIA DI TRASMISSIONE
19	20439800	RIEMENSCHLEIBE	BELT PULLEY	POULIE	PULEGGIA
20	20382300	MITNEHMERWELLE KPL.	AXLE COMPL.	AXE DE ROULMENT COMPL.	ALBERO DI TRAMISS.CPL.
21	20467200	SEEGERRING I 32	RETAINING RING I 32	DISQUE I 32	SEEGER I 32
22	20479800	DISTANZRING 18/15X4	DISTANCE RING 18/15X4	ANNEAU 18/15X4	DISTANZIALE 18/15x4
23	20479900	DISTANZRING 13/15X6,8	DISTANCE RING 13/15X6,8	ANNEAU 13/15X6,8	DISTANZIALE 13/15x6,8
24	20467500	RILLENKUGELLAGER	DEEP-GROVE BALL BEARING	ROULEMENT A BILLES	CUSCINETTO
25	20467600	LAGERBÜCHSE	BEARING BOX	BOITE DE ROULEMENT	BUSSOLA
26	20467700	WELLE KPL.	AXLE COMPLETE	AXE COMPLETE	ALBERO COMPLETO
27	20431300	MITNEHMERWELLE	AXLE	AXE DE ROULMENT	ALBERO
28	20343900	DISTANZHÜLSE 7/4,1x4	DISTANCE RING 7/4,1x4	ANNEAU 7/4,1x4	DISTANZIALE 7/4,1x4
29	20343800	I-6KT SCHRAUBE M4X8	SCREW M4X8	VIS M4X8	VITE ESAGONALE M4x8
30	20480000	KEIL	WEDGE	COIN	CUNEO
31	20613400	HEBEL	LEVER	LEVIER	LEVA
32	20009600	U-SCHLEIBE M5	WASHER M5	RONDELLE M5	RONDELLA M5
34	20613500	SCHWENKHEBEL	LEVER	LEVIER	LEVA
35	20613900	SICHERUNGSSCHLEIBE Ø6,35	SECURITY WASHER Ø6,35	RONDELLE DE SECURITE	RONDELLA DI FISSAGGIO Ø6,35
36	20486900	ABDECKKAPPE	COVER	COUVERCLE	CAPPUCCIO
37	20459700	HALTEBÜGEL	PUMPHOLDER	SUPPORT DE LA POMPE	STAFFA DI SUPPORTO
38	20482400	BLINDNIET Ø5x8	BLIND RIVET Ø5x8	RIVET AVEUGLE Ø5x8	RIVETTO CIECO Ø5x8
39	20613600	ABLUFTEITBLECH	EXHAUST COVER	PIECE EN TOLE	PIASTRINA SCARICO ARIA
40	20476100	BLINDNIET Ø4x8	BLIND RIVET Ø4x8	RIVET AVEUGLE Ø4x8	RIVETTO CIECO Ø4x8



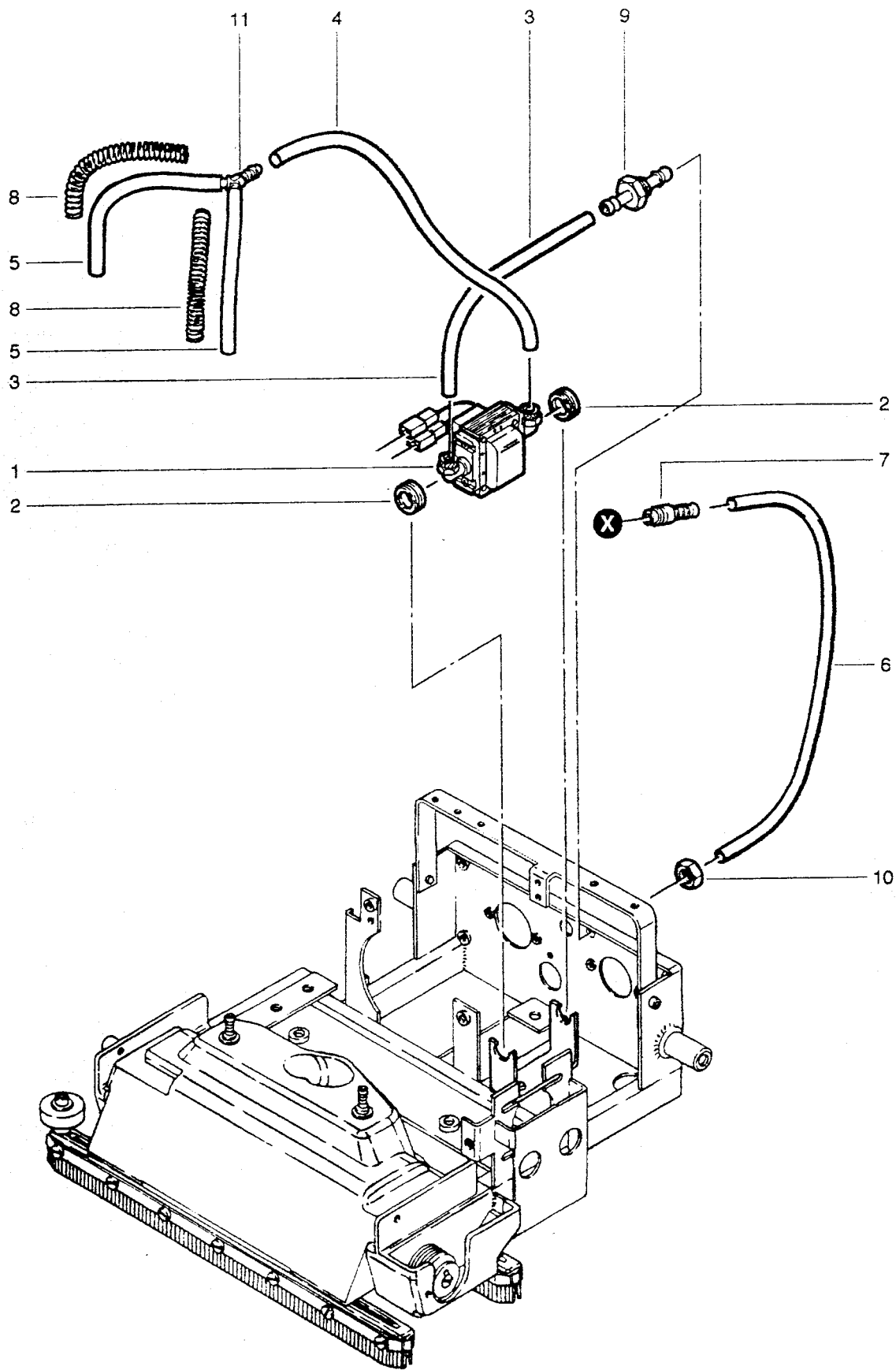
RA33 B20

POS.	BEZEICHNUNG	DESCRIPTION	DESIGNATION	DESIGNATION
1	20480100 SAUGKANAL	SUCTION NOZZLE	SUCEUR	CANALE ASPIRAZIONE
2	20344100 DICHTUNG OBEN 200X10X3	TOP SEAL 200X10X3	JOINT EN HAUT 200X10X3	GUARNIZIONE SUPERIORE 200x10x3
3	20344200 DICHTUNG OBEN 190X18X3	TOP SAEEL 190X18X3	JOINT EN HAUT 190X18X3	GUARNIZIONE SUPERIORE 190x18x3
4	20403400 ABDECKBLECH 219;6x190x2	COVER 219,6x190x2	COUVERCLE 219,6x190x2	COPERTURA 219,6x190x2
5	20343500 DICHTUNG UNTEN 190X18X3	LOWER SEAL 190X18X3	JOINT EN BAS 190X18X3	GUARNIZIONE INFERIORE 190x18X3
6	20613800 ZYLINDERSCHRAUBE M4X10	SCREW M4X10	VIS M4X10	VITE CILINDRICA M4x10
9	20102400 I-6KT SCHRAUBE M5X14	HEX SCREW M5X14	VIS M5X14	VITE M5x14
10	20009600 U-SCHEIBE M5	WASHER M5	RONDELLE M5	RONDELLA M5
11	20614000 SPRÜHDÜSE KOMPL.	SPRAYING NOZZLE COMPLETE	GICLEUR DE VAPORIS. CPL:	UGELLO CPL.
12	20462500 SICHERUNGSRING Ø9	SECURITY WASHER Ø9	RONDELLE DE SECURITEE Ø9	ANELLO DI FISSAGGIO Ø9
13	20614100 DÜSENHALTER	HOLDER FOR NOZZLE	FIXATION DE GICLEUR	SUPPORTO UGELLO
14	20462400 KUGEL ZU SPRÜHDÜSE	BALL FOR SPRAYING JET	BILLE POUR GICLEUR	PALLINA UGELLO
15	20462300 DRUCKFEDER	PRESSURE SPRING	RESSORT POUR GICLEUR	MOLLA PRESSIONE
16	20441700 SPRÜHDÜSE GELB	SPRAYING NOZZLE YELLOW	GICLEUR DE VAP.JAUNE	UGELLO GIALLO
17	20441800 ÜBERWURFMUTTER 3/8"	CUP NUT 3/8"	ECROU DE BLOCKAGE 3/8"	DADO 3/8"
18	20480200 DÜSENHALTER 230X115X3	NOZZLE HOLDER 230X115X3	PORTE-SUCEUR 230X115X3	SUPPORTO UGELLO 230x115x3
19	20119500 6-KT SCHRAUBE M5X12	HEX NUT M5X12	VIS A 6 PANS M5X12	VITE M5x12
20	20009600 U-SCHEIBE M5	WASHER M5	RONDELLE M5	RONDELLA M5
21	20423900 SCHRAUBE M8X10	SCREW M8X10	VIS M8X10	VITE M8x10
22	20386700 RUNDPUFFER	ROUND BUFFER	AMORTISSEUR	AMMORTIZZATORE
23	20614200 TRÄGER 262X45X5	ARCH 262X45X5	ARCH 262X45X5	STAFFA 262x45x5
24	20480400 SENKSCHEIBE M8X12	SCREW M8X12	VIS M8X12	VITE M8x12
25	20009600 U-SCHEIBE M5	WASHER M5	RONDELLE M5	RONDELLA M5
26	20046000 STOPPMUTTER M5	STOPP NUT M5	ECROU M5	DADO M5
27	20614300 GLEITKLOTZ	GLIDER	PATIN	ZOCCOLO
28	20468000 SENKSCHEIBE M4x8	COUNTERSUNK SCREW M4x8	VIS M4x8	VITE M4x8



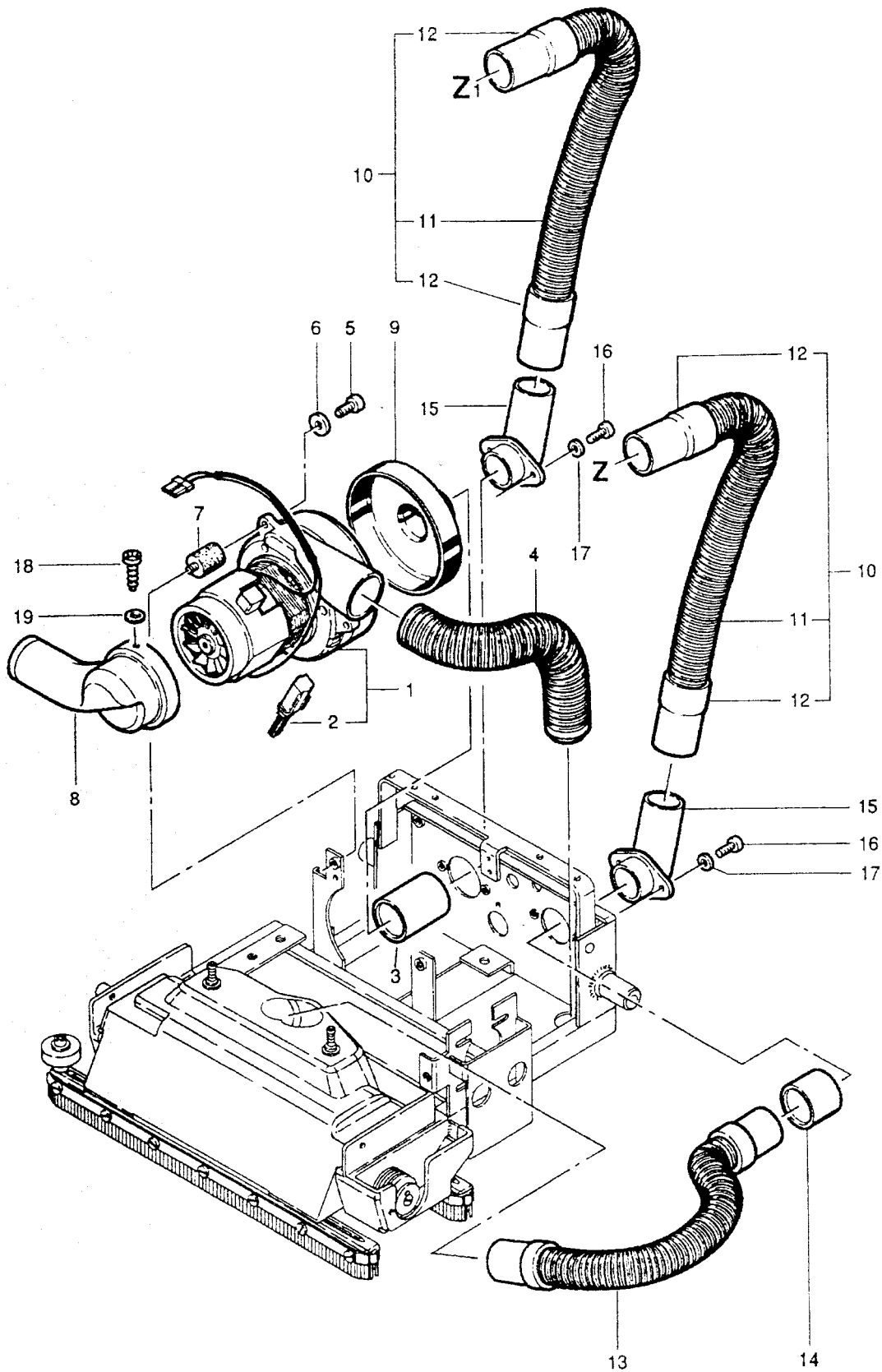
RA33 B20

POS.	BEZEICHNUNG	DESCRIPTION	DESIGNATION	DESIGNATION
4	20481400 WASSERSAUGDÜSE	SUCTION NOZZLE	SUCEUR	BOCCHETTA LIQUIDI
5	20419100 LAMELLE AUSSEN (BLAU)	OUTER LAMELLA (BLUE)	LAMELLE EXTERIEUR (BLEU)	LAMELLE ESTERNE (BLU)
6	20428400 LAMELLE INNEN (GRÜN)	INNER LAMELLA (GREEN)	LAMELLE INTERIEUR (VERT)	LAMELLE INTERNE (VERDI)
7	20321500 HALTEBLECH 448X10X2,5	CLAMPING PLATE 448X10X2,5	PIECE DE FIXATION	BARRA DI FISSAGGIO 448x10x2,5
8	20377900 FLACHKOPFSCHRAUBE M4X10	PAN HEAD SCREW M4X10	VIS M4X10	VITE M4x10
9	20321700 KANTENSCHUTZ 50/10X1	PROTECTION PIECE 50/10X1	PROTECTION 50/10X1	ANGOLO 50/10x1
10	20321400 ABWEISROLLE 40X10	FENDER WHEEL 40X10	ROUE DE REJET 40X10	RUOTE 40x10
11	20321300 DISTANZHÜLSE 8/5.5X10,5	DISTANCE PIECE 8/5,5X10,5	PIECE DE DISTANCE 8/5,5X10,5	DISTANZIALE 8/5,5x10,5
12	20009600 U-SCHEIBE M5	WASHER M5	RONDELLE M5	RONDELLA M5
13	20455700 6-KT SCHRAUBE M5X16	HEX SCREW M5X16	VIS A 6 PANS M5X16	VITE A TESTA ESAGONALE M5x16
14	20614400 DICHTSCHNUR	SEALING STRIP	CORDON D'ETANCHEIT	STRIP FISSAGGIO
	20614500 LAMELLENSATZ KPL.	SQUEEGEE SET CPL.	SET DES LAMELLES CPL.	KIT CPL. DI LAMELLE



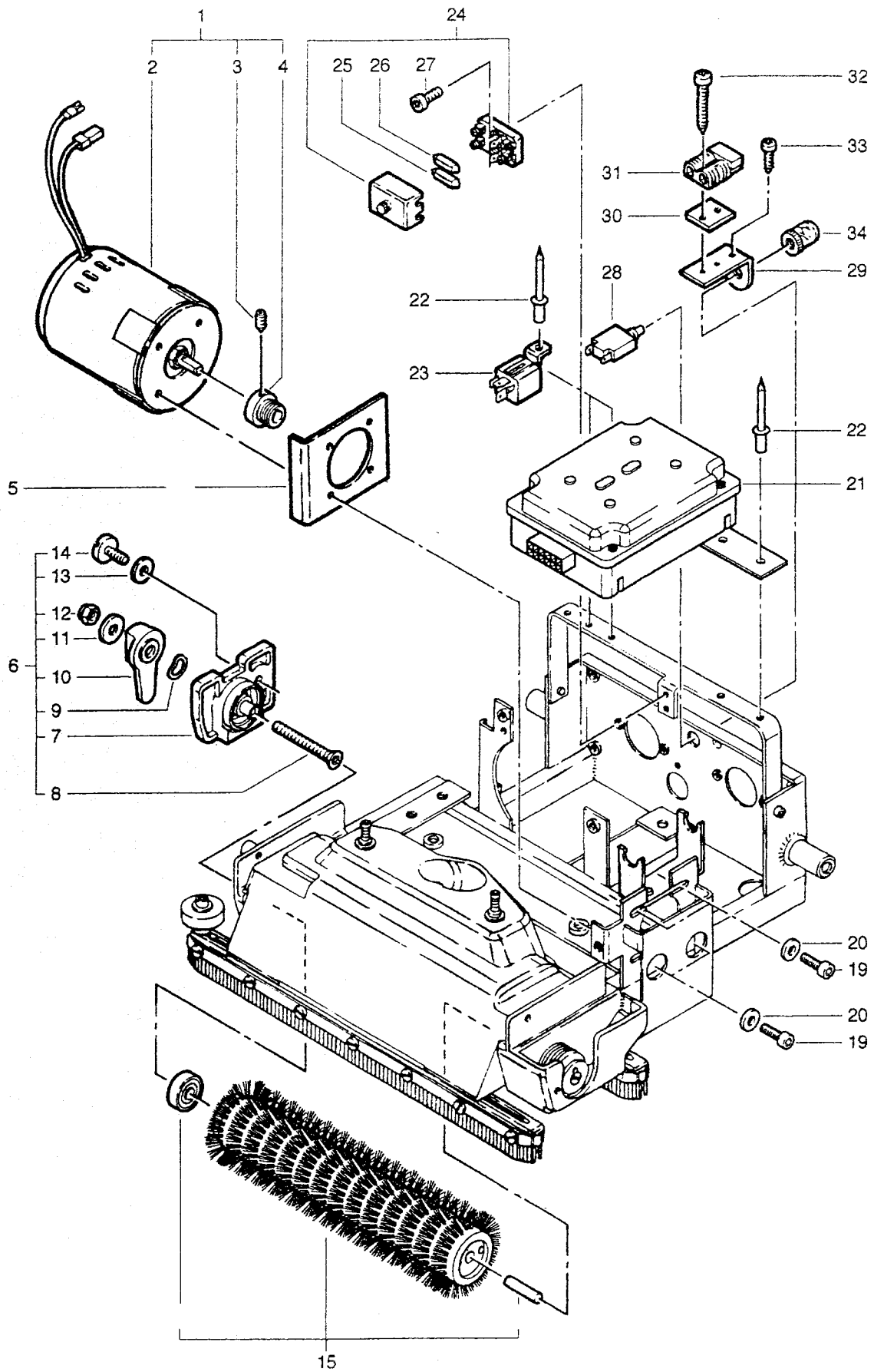
RA33 B20

POS.	BEZEICHNUNG	DESCRIPTION	DESIGNATION	DESIGNATION
1	20614600 SCHWINGKOLBENPUMPE NDS-C 24V	NDS-C-PUMP 24V	POMPE NDS-C-24V	POMPA NDS-C 24V
2	20341600 HALTERING Ø14	GROMMET Ø14	ANNEAU DE FIXATION Ø14	BOCCOLA DI FISSAGGIO Ø14
3	20403301 ANSAUGSCHLAUCH 6/8x170mm	SUCTION HOSE 6/8x170mm	TUYAU D'ASPIRATION 6/8x170mm	TUBO ASPIRAZIONE 6/8X170mm
4	20403300 DRUCKSCHLAUCH 8/6X330mm	PRESSURE HOSE 8/6X330mm	TUYAU DE PRESSION 8/6X330mm	TUBO PRESSIONE 8/8x330mm
5	20403302 DRUCKSCHLAUCH 8/6X120mm	PRESSURE HOSE 8/6X120mm	TUYAU DE PRESSION 8/6X120mm	TUBO PRESSIONE 8/6x120mm
6	20403304 ANSAUGSCHLAUCH 6/8x630mm	SUCTION HOSE 6/8x630mm	TUYAU D'ASPIRATION 6/8x630mm	TUBO ASPIRAZIONE 6/8x630mm
7	20485900 STECKNIPPEL	MALE CONNECTOR	RACCORD	RACCORDO A INNESTO
8	20404900 STÜTZFEDER	SUPPORTING SPRING	RESSORT DE SUPPORT	MOLLA
9	20419200 DOPPELNIPPEL	DOUBLE FITTING	RACCORD DOUBLE	RACCORDO DOPPIO
10	20419300 6-KT MUTTER G1/8"	HEX SCREW G1/8"	VIS A 6 PANS G1/8"	DADO ESAGONALE G1/8"
11	20404400 Y-STÜCK	Y-PIECE	PIECE EN Y	RACCORDO A Y



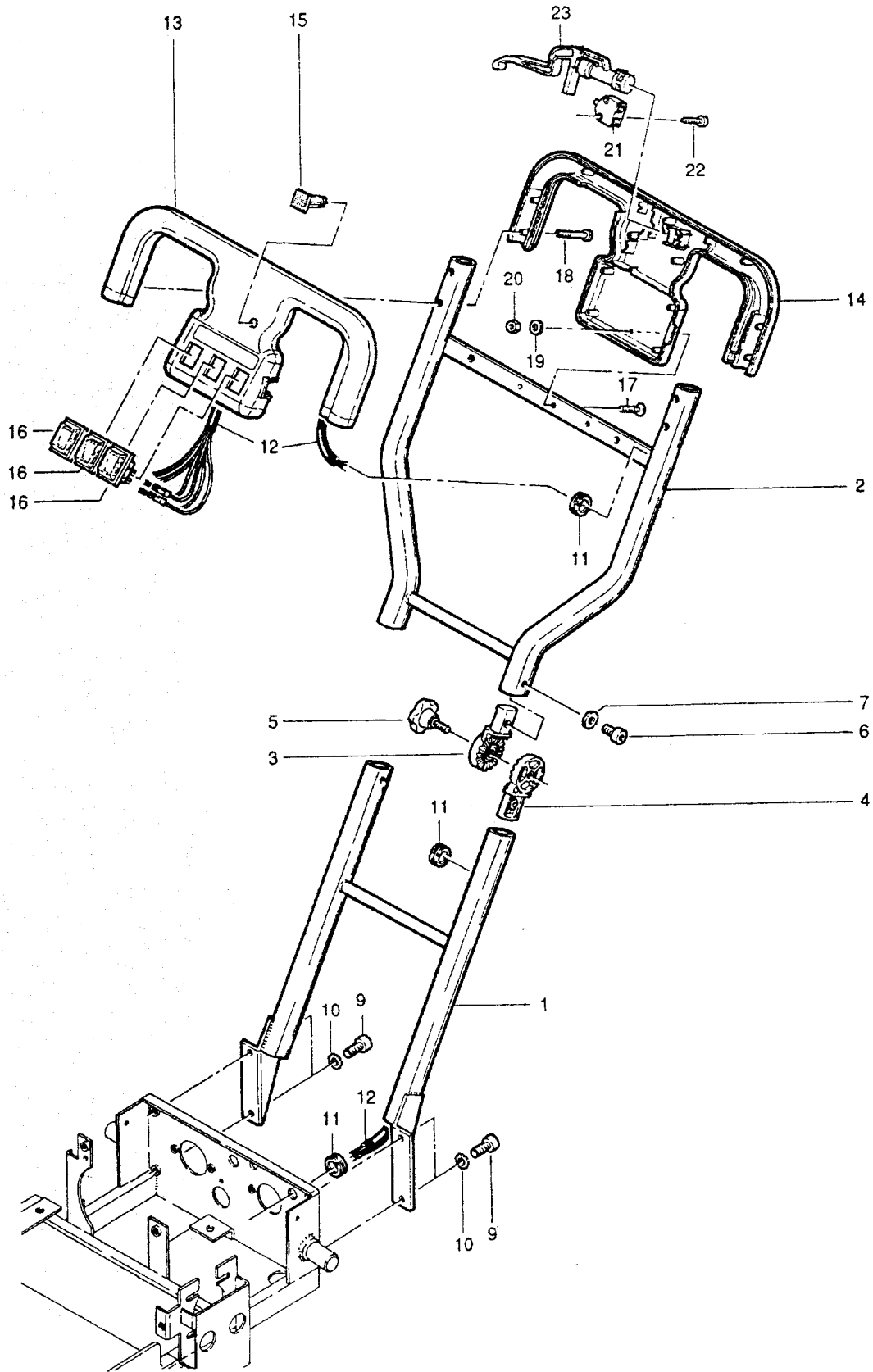
RA33 B20

POS.	BEZEICHNUNG	DESCRIPTION	DESIGNATION	DESIGNATION
1	20480700 SAUGGEBLÄSE	SUCTION MOTOR	MOTEUR D'ASPIRATION	MOTORE ASPIRAZIONE
2	20488800 KOHLENBÜRSTE	PAIR OF CARBON BRUSHES	JEU DE BALAI CHARBONS	CARBONCINO
3	20487100 VERBINDUNGSSTUTZEN	CONNECTION PIECE	RACCORD	RACCORDO
4	20321900 SCHALLDÄMMSCHLAUCH	ISOLATING HOSE	TUYAU D'ISOLATION	TUBO FONOASSORBENTE
5	20010700 I-6KT SCHRAUBE M6X12	HEX SCREW M6X12	VIS A 6 PANS M6X12	DADO A TESTA ESAGONALE M6x12
6	20000700 U-SCHEIBE M6	WASHER M6	RONDELLE M6	RONDELLA M6
7	20474200 RUNDPUFFER	ROUND BUFFER	AMORTISEUR	AMMORTIZZATORE
8	20480900 KÜHLLUFTKANAL	TUBE FOR MOTOR COOLING	CANAL D'AIR REFRIGERATION	TUBO RAFFREDDAMENTO
9	20428300 SAUGANSCHLUSSKAPPE	HOSE CONNECTION CAP	PIECE DE RACCORDEMENT	COPERCHIO MOTORE
10	20614700 SCHLAUCH KPL.	HOSE CPL.	TUYAU CPL.	TUBO COMPLETO
11	20614800 SCHLAUCH NW32	HOSE NW32	TUYAU NW32	TUBOFLEX NW32
12	20348500 MUFFE	HOSE SOCKET	MANCHON	MANICOTTO
13	20422100 SAUGSCHLAUCH	SUCTION HOSE	TUYAU D'ASPIRATION	TUBOFLEX
14	20481100 MUFFE	HOSE SOCKET	MANCHON	MANICOTTO
15	20383700 ÜBERGANGSSTUTZEN	CONNECTING PIECE	PIECE DE CONNECTION	RACCORDO
16	20487600 I-6KT SCHRAUBE M4X12	SCREW M4X12	VIA M4X12	VITE A TESTA ESAGONALE M4x12
17	20000300 U-SCHEIBE M4	WASHER M4	RONDELLE M4	RONDELLA M4
18	20474900 BLECHSCHRAUBE 2,9x6,5	SCREW 2,9x6,5	VIS 2,9x6,5	VITE 2,9x6,5
19	20112400 U-SCHEIBE M3	WASHER M3	RONDELLE M3	RONDELLA M3



RA33 B20

POS.	BEZEICHNUNG	DESCRIPTION	DESIGNATION	DESIGNATION	
1	20614900	BÜRSTMOTOR KOMPLETT	BRUSH MOTOR COMPLETE	MOTEUR DE BROSSE CPL.	MOTORE SPAZZOLA COMPLETO
2	20481500	MOTOR 24V DC	MOTOR 24V DC	MOTEUR 24V DC	MOTORE 24V DC
3	20475100	GEWINDESTIFT M6X10	PIN M6X10	VIS SANS TETE M6X10	PERNO FILETTATO M6x10
4	20615000	RIEMENSCHLEIBE	BELT PULLEY	POULIE	PULEGGIA
5	20481900	MOTORHALTEPLATTE	MOTOR HOLDER	FIXATION POUR MOTEUR	BASE MOTORE
6	20423700	BÜRSTENHALTER KOMPLETT	BRUSH SUPPORT COMPLETE	SUPPORT DE BROSSE CPL.	SUPPORTO SPAZZOLA CPL.
7	20321100	BÜRSTENHALTER	BRUSH SUPPORT	SUPPORT DE BROSSE	SUPPORTO SPAZZOLA CPL.
8	20482100	SENKSCHEIBE M6X60	COUNTERSUNKSCREW M6X60	VIS ATETE FRAISE M6X60	VITE M6x60
9	20369300	FEDERSCHLEIBE	SPRING WASHER	RONDELLE A RESSORT	BOCCOLA
10	20343600	STÜTZE	SUPPORT	SUPPORT	SUPPORTO
11	20000700	U-SCHLEIBE M6	WASHER M6	RONDELLE M6	RONDELLA M6
12	20070000	STOPPMUTTER M6	STOPP NUT M6	ECROU M6	DADO M6
13	20009600	U-SCHLEIBE M5	WASHER M5	RONDELLE M5	RONDELLA M5
14	20341300	SPEZIALSCHRAUBE M5	SPEZIAL SCREW M5	VIS SPECIALE M5	VITE SPECIALE M5
15	20252901	BÜRSTE KOMPLETT	BRUSH COMPLETE	BROSSE COMPLETE	SPAZZOLA COMPLETA
19	20102400	I-6KT SCHRAUBE M5X14	SCREW M5X14	VIS M5X14	VITE A TESTA ESAGONALE M5x14
20	20009600	U-SCHLEIBE M5	WASHER M5	RONDELLE M5	RONDELLA M5
21	20615400	PUMPENELEKTRONIK	ELECTRONIC PANEL FOR PUMP	ELECTRONIC POUR POMPE	PANNELLO ELETTRONICA POMPA
22	20482400	BLINDNIET 5X8	BLIND RIVET 5X8	RIVETS 5X8	RIVETTO 5x8
23	20383500	RELAIS 24V/20A	RELAIS 24V/20A	RELAIS 24V/20A	RELAIS 24V/20A
24	20482600	SICHERUNGSKASTEN KPL.	DISTRIBUTION BOX CPL.	BOITE DE DISTRIBUTION CPL.	CASSETTA DI DISTRIBUZIONE CPL.
25	20482700	SCHMELZSICHERUNG 25A	FUSE 25A	COUPE CIRCUIT 25A	FUSIBILE 25A
26	20482800	SCHMELZSICHERUNG 5A	FUSE 5A	COUPE CIRCUIT 5A	FUSIBILE 5A
27	20010500	i-6KT SCHRAUBE M4X16	SCREW M4X16	VIS M4X16	VITE A TESTA ESAGONALE M4x16
28	20405400	ÜBERSTROMSCHUTZSCHALT.	MOTOR PROTECT. SWITCH	DISJONCTEUR	FUSIBILE MOTORE
29	20482900	WINKEL	ANGLE	ANGLE	ANGOLO
30	20483000	PLATTE	CONNECTING PIECE	PIECE DE CONNECTION	PIASTRINA
31	20405500	STECKER KOMPLETT	PLUG COMPLETE	FICHE COMPLETE	SPINA COMPLETA
32	20483100	BLECHSCHRAUBE 2,9X19	TIN SCREW 2,9X19	VIS A TOLE 2,9X19	VITE 2,9x19
33	20045300	BLECHSCHRAUBE 2,9X9,5	TIN SCREW 2,9X9,5	VIS A TOLE 2,9X9,5	VITE 2,9x9,5
34	20615100	SCHUTZKAPPE	PROTECTION CAP	CAPOT DE PROTECTION	TAPPO DI PROTEZIONE



RA33 B20

POS.	BEZEICHNUNG	DESCRIPTION	DESIGNATION	DESIGNATION	
1	20615200	STOSSBÜGEL UNTERTEIL	LOWER PUSHBAR	GUIDON INTERIEURE	STAFFA INFERIORE
2	20483300	STOSSBÜGEL OBERTEIL	UPPER PUSHBAR	GUIDON SUPERIEURE	STAFFA SUPERIORE
3	20431100	GELENK OBEN	UPPER JOINT	JOINT SUPPERIEURE	SNODO SUPERIORE
4	20431000	GELENK UNTEN	LOWER JOINT	JOINT INFERIEUR	SNODO INFERIORE
5	20360200	STERNGRIFF	SCREW KNOB	POIGNEE	MANOPOLA A STELLA
6	20151900	6-KT SCHRAUBE M6X12	SCREW M6X12	VIS M6X12	VITE A TESTA ESAGONALE M6x12
7	20000700	U-SCHEIBE M6	WASHER M6	RONDELLE M6	RONDELLA M6
9	20010700	I-6KT SCHRAUBE M6X12	SCREW M6X12	VIS M6X12	VITE A TESTA ESAGONALE M6x12
10	20611200	FEDERRING M6	SPRING WASHER M6	RONDELLE A RESSORT M6	RONDELLA M6
11	20476000	DURCHFÜHRTÜLLE	RUBBER CLAMP	PASSE FIL	CONNETTORE DI TESTA
12	20615300	KABELBAUM STOSSBÜGEL	WIRING TO HANDLE	CABLES POUR POIGNEE	CAVETTI
13	20485100	GRIFFSCHALENOBERTEIL	UPPER HANDLE HOUSING	BATI DE POIGNEE SUPERIEURE	SCATOLA IMPUGNATURA SUP.
14	20419402	GRIFFSCHALENUNTERTEIL	LOWER HANDLE HOUSING	BATI DE POIGNEE INFERIEURE	SCATOLA IMPUGNATURA INF.
15	20485300	SIGNALLAMPE	WARNING LAMP	LAMPE DE SIGNALEMENT	LAMPADINA
16	20446800	WIPPSCHALTER 24V	TUMBLER SWITCH 24V	INTERRUPTEUR 24V	INTERRUTTORE A BILICO 24V
17	20086900	SENKSCHRAUBE M4X20	SCREW M4X20	VIS M4X20	VITE M4x20
18	20420100	PT-SCHRAUBE KA 30X30	PT-SCREW KA30X30	VIS PT KA30X30	VITE KA30x30
19	20000300	U-SCHEIBE M4	WASHER M4	RONDELLE M4	RONDELLA M4
20	20002600	MUTTER M4	NUT M4	ECROU M4	DADO M4
21	20344600	TASTSCHALTER	SWITCH	INTERRUPTEUR	INTERRUTTORE
22	20420000	PT-SCHRAUBE KA 30X20	PT-SCREW KA30X20	VIS PT KA30X20	VITE KA 30x20
23	20344700	STEUERHEBEL KOMPLETT	LEVER COMPLETE	LEVIER COMPLETE	LEVA COMANDO COMPLETA