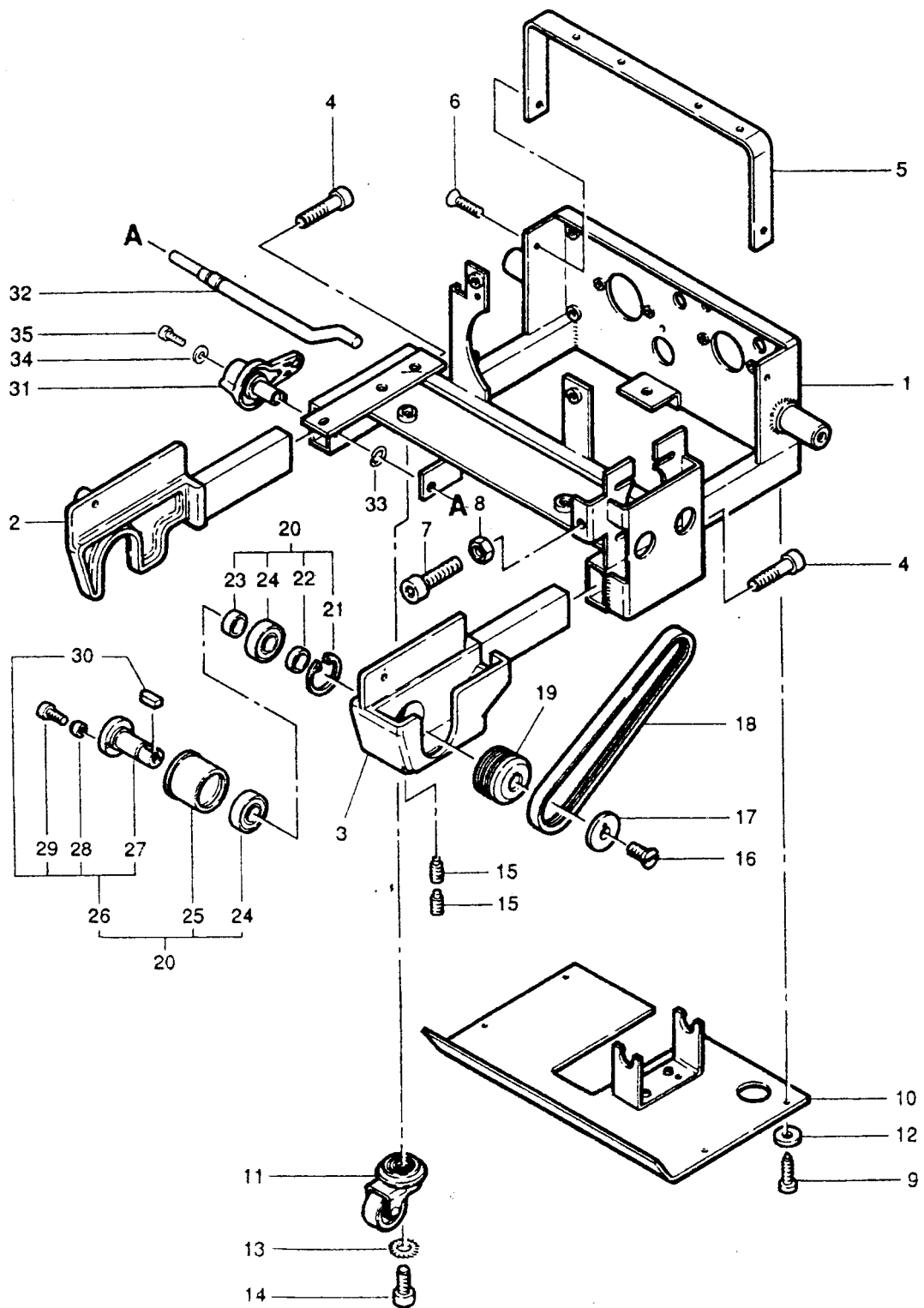


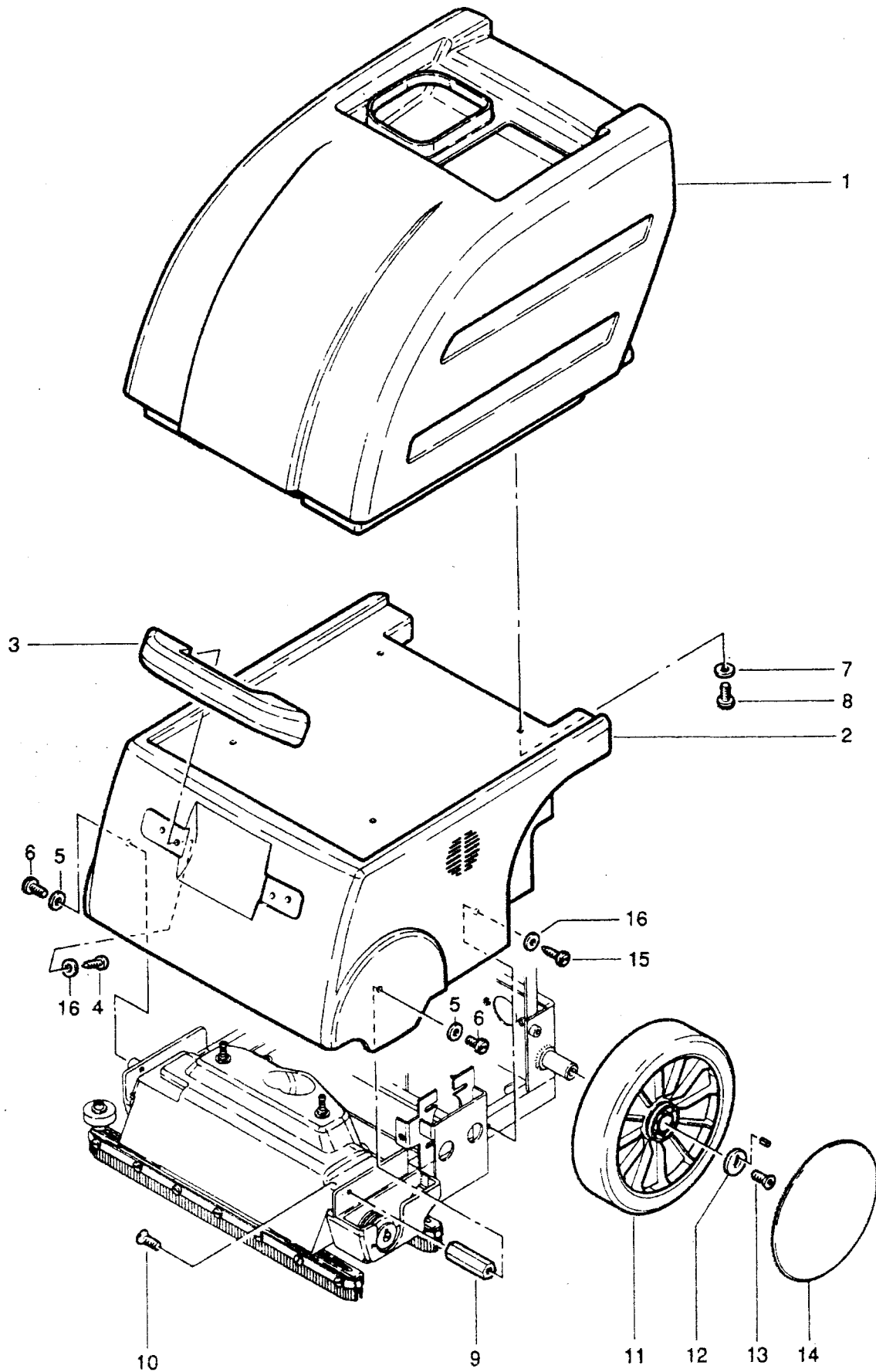
RA33 K32

POS	BEZEICHNUNG	DESCRIPTION	DESIGNATION	DESCRIZIONE
1	20445200 HAUBE KOMPLETT	TANK COVER COMPLETE	CAPOT COMPLETE	COPERCHIO SERBATOIO CPL.
2	20610200 SIEB	FILTER	FILTRE	FILTRO
3	20481600 HAUBE	TANK COVER	CAPOT	COPERCHIO
4	20320900 HAUBENDICHTUNG	TANK COVER SEAL	JOINT POUR CAPOT	GUARNITONE COPERCHIO
5	20610300 DECKEL ZU FRISCHWASSER TANK	COUVERCLE POUR EAU PROPRE	CLEAN WATER TANK COVER	COPERCHIO
7	20610400 NYLONSCHNUR	CORDE	CORDLE	CORDONCINO IN NYLON
11	20648400 FRISCHWASSERTANK	FRESH WATER TANK	RECIPIENT D'EAU FRAICHE	SACCA SOLUZ.DETERG.
12	20617100 BEHÄLTER	TANK	RECIEPIENT	SERBATOIO
13	20344400 ANSAUGSCHLAUCH KPL.	SUCTION HOSE CPL.	TUYAU D'ASPIRATION CPL.	TUBO ASPIRAZIONE COMPL.
14	20472300 WINKELSTUTZEN G1/4"	ANGLED FITTING G1/4"	TUBULURE A ANGLE G1/4"	GOMITO
15	20403306 ANSAUGSCHLAUCH 8/6x100	SUCTION HOSE	TUYAU D'ASPIRATION	TUBO ASPIRAZIONE 8/6x100
16	20405300 FRISCHWASSERFILTER	FRESH WATER FILTER	FILTRE D'EAU PROPRE	FILTRO SOL. DETERGENTE
17	20473800 KLEMMSCHELLE Ø35	WASHER Ø35	RONDELLE Ø35	RONDELLA Ø35
18	20344500 AUSLAUFNIPPEL G3/8"	FITTING G 3/8"	RACCORD G3/8"	RACCORDO G3/8"
19	20319700 DICHTSCHEIBE	GASKET	JOINT	RONDELLA
20	20456100 MUTTER G3/8"	NUT G3/8"	ECROU G3/8"	DADO G3/8"
21	20321800 ÜBERWURFMUTTER	SLEEVED NUT	ECROU DE BLOCKAGE	DADO
22	20610900 ABLAUFSCHLAUCH KPL.	DISCHARGE HOSE CPL.	TUYAU DE VIDANGE CPL.	TUBO DI SCARICO COMPL.
23	20617200 ABLAUFSCHLAUCH 330mm	DISCHARGE HOSE 330mm	TUYAU DE VIDANGE 330mm	TUBO DI SCARICO 330mm
24	20468400 SCHLAUCHMUFFE	HOSE SOCKET	MANCHON	MANICOTTO TUBO
25	20320000 DECKEL ZU MUFFE	HOSE SOCKET CAP	COUVERCLE DU MANCHON	COPERCHIO MANICOTTO
26	20468500 SCHLAUCHBRIDE	HOSE CLAMP	COLLIER DU SERRAGE	FASCETTA TUBO
27	20485400 SCHLAUCHHALTER KPL.	HOSE SUPPORT CPL.	SUPPORT POUR TUYAU CPL.	SUPPORTO TUBO COMPL.
28	20341400 SCHLAUCHHALTER	HOSE SUPPORT	SUPPORT POUR TUYAU	SUPPORTO TUBO
29	20009600 U-SCHEIBE M5	WASHER M5	RONDELLE M5	RONDELLA M5
30	20102400 SCHRAUBE M5x14	SCREW M5x14	VIS M5x14	VITE M5X14
31	20405900 DICHTSCHEIBE Ø35	SEAL Ø35	JOINT Ø35	RONDELLA Ø35



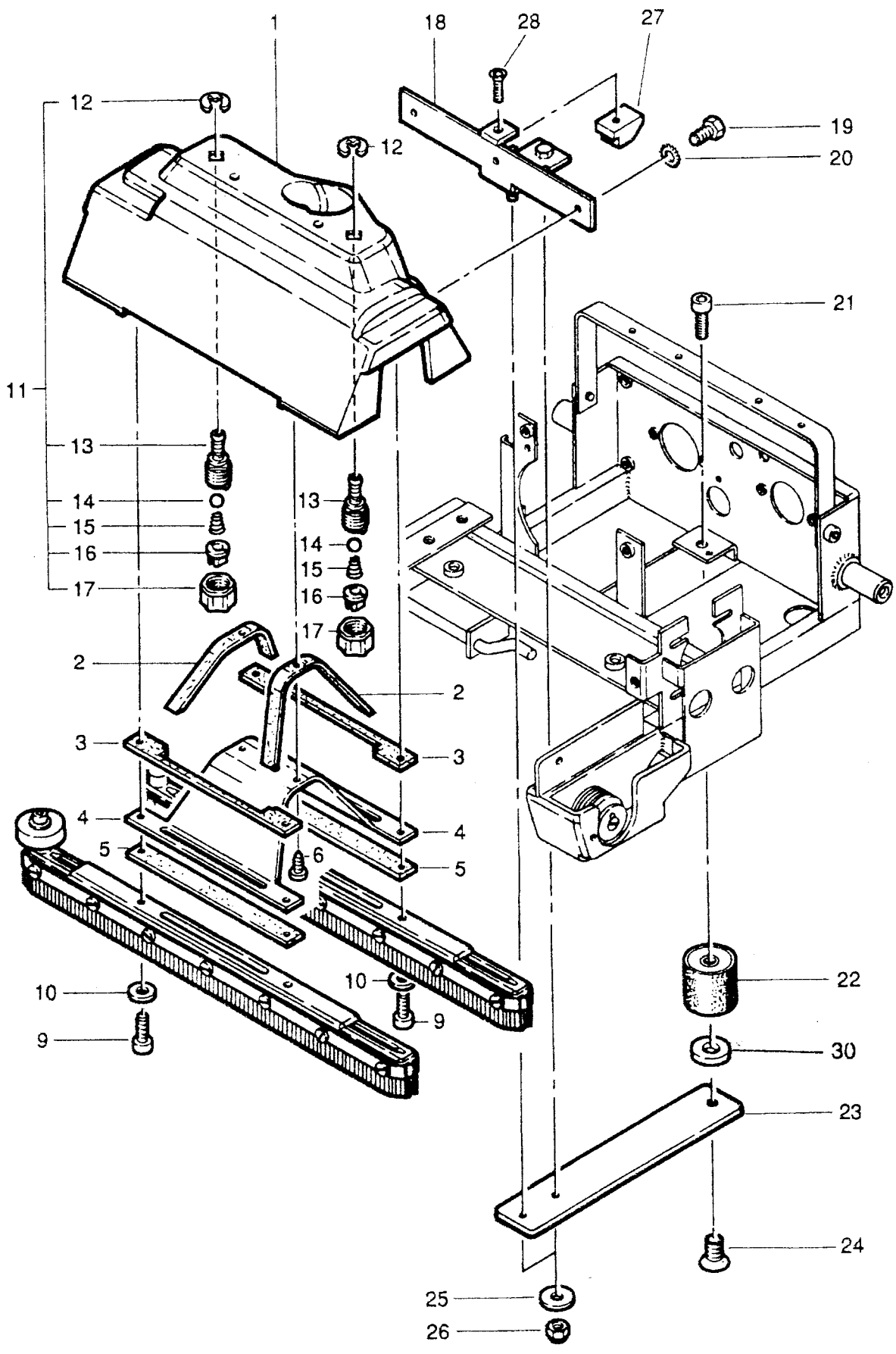
RA33 K32

POS	BEZEICHNUNG	DESCRIPTION	DESIGNATION	DESCRIZIONE
1	20612700	CHASSIS	CHASSIS	TELAIO
2	20612800	HALTESCHIENE RECHTS	RIGHT SUPPORT	SUPPORTO DESTRO
3	20479700	HALTESCHIENE LINKS	LEFT SUPPORT	SUPPORTO SINISTRO
4	20067500	I-6KT SCHRAUBE M6X30	SCREW M6X30	VITE M6x30
5	20466600	BÜGEL	FRAME	STAFFA
6	20487600	I-6KT SCHRAUBE M4x12	SCREW M4x12	VITE A TESTA ES. M4x12
7	20029200	I-6KT SCHRAUBE M8X25	SCREW M8X25	VITE A TESTA ES. M8x25
8	20000500	MUTTER M8	HEX NUT M8	DADO M8
9	20045300	BLECHSCHRAUBE 2,9X9,5	TIN SCREW 2,9X9,5	VITE 2,9x9,5
10	20486300	BODENBLECH	BOTTOM PLATE	BASE IN LAMIERA
11	20344000	LENKROLLE	CASTOR	RUOTA
12	20479600	UNTERLAGE	DISTANCE PIECE	DISTANZIALE
13	20200800	FEDERRING M10	SPRING RING M10	RONDELLA M10
14	20162000	I-6KT SCHRAUBE M10x20	SCREW M10x20	VITE A TESTA ES. M10x20
15	20439900	GEWINDESTIFT M5X5	THREAD PIN M5X5	SPINOTTO FILETTATO M5X5
16	20047900	SENKSCHEIBE M6X12	SCREW M6X12	VITE M6X12
17	20420900	BEFESTIGUNGSSCHEIBE	ATTACHING WASHER	RONDELLA FISSAGGIO
18	20613300	ANTRIEBSRIEMEN	DRIVING BELT	CINGHIA DI TRASMISSIONE
19	20439800	RIEMENSCHLEIFE	BELT PULLEY	PULEGGIA
20	20382300	MITNEHMERWELLE KPL.	BRUSH AXLE COMPLETE	ALBERO TRASSMISS.CPL.
21	20467200	SEEGERRING I32	RETAINING RING I32	SEEGER I 32
22	20479800	DISTANZRING 18/15X4	DISTANCE RING 18/15X4	DISTANZIALE 18/15x6,8
23	20479900	DISTANZRING 13/15X6.8	DISTANCE RING 13/15X6.8	DISTANZIALE 13/15x6,8
24	20467500	RILLENKUGELLAGER	BALL BEARING	CUSCINETTO
25	20467600	LAGERBÜCHSE	BEARING BOX	BOCCOLA DI SUPPORTO
26	20467700	WELLE KOMPLETT	AXLE COMPLETE	ALBERO COMPLETO
27	20431300	MITNEHMERWELLE	AXLE	ALBERO
28	20343900	DISTANZHÜLSE	DISTANCE RING	DISTANZIALE
29	20343800	I-6KT SCHRAUBE M4X8	SCREW M4X8	VITE M4X8
30	20480000	KEIL	WEDGE	CUNEO
31	20613400	HEBEL	LEVER	LEVA
32	20613500	SCHWENKHEBEL	LEVER	ÖEVA
33	20613900	SICHERUNGSSCHEIBE Ø6,35	SECURITY WASHER Ø6,35	RONDELLA Ø6,3
34	20455800	U-SCHLEIFE M5	WASHER M5	RONDELLA M5
35	20343800	I-6KT SCHRAUBE M4X8	SCREW M4X8	VITE A TESTA ES. M4X8



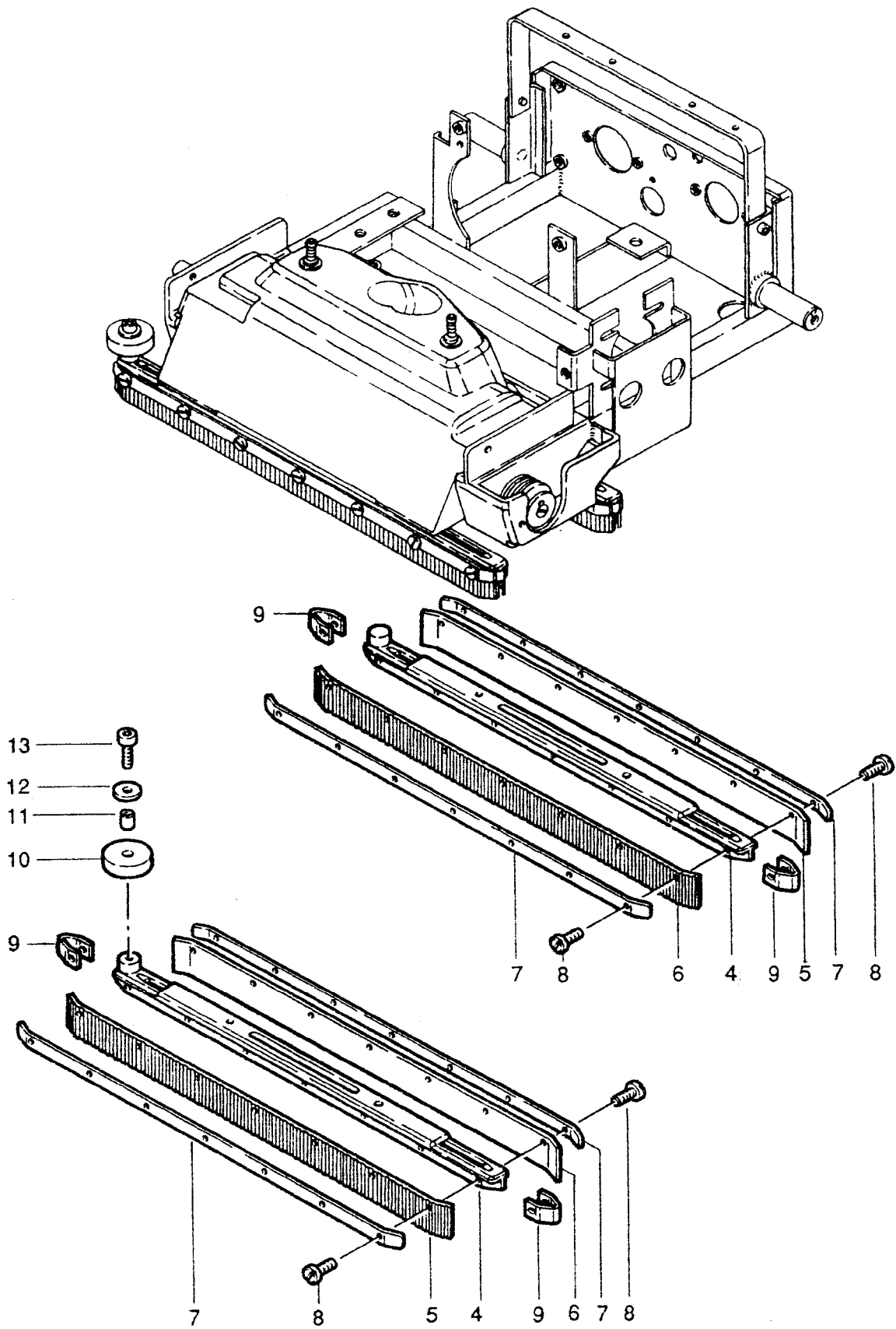
RA33 K32

POS	BEZEICHNUNG	DESCRIPTION	DESIGNATION	DESCRIZIONE
1	20617300 BEHÄLTER	TANK	RECIPIENT	SERBATOIO
2	20617400 CHASSISABDECKUNG	CHASSIS COVER	COUVERTURE DU CHASSIS	COPERTURA TELAIO
3	20420400 BÜGELGRIFF	HANDLE	POIGNEE	MANIGLIA
4	20468700 PT-SCHRAUBE KA50X18	PT-SCREW KA 50X18	VIS PT KA50X18	VITE KA50x18
5	20009600 U-SCHEIBE M5	WASHER M5	RONDELLE M5	RONDELLA M5
6	20420600 FLACHKOPFSCHRAUBE M5X12	PAN HEAD SCREW M5X12	VIS PAN HEAD M5X12	VITE M5x12
7	20000700 U-SCHEIBE M6	WASHER M6	RONDELLE M6	RONDELLA M5
8	20468800 FLACHKOPFSCHRAUBE M6X12	PAN HEAD SCREW M6X12	VIS M6X12	VITE M6x12
9	20612400 DISTANZBOLZEN	DISTANCE PIECE	PIECE DE DISTANCE	DISTANZIALE
10	20047900 SENKSCHEIBE M6X12	SCREW M6X12	VIS M6X12	VITE M6x12
11	20612500 LAUFRAD D200X54	WHEEL D200X54	ROUE D200X54	RUOTA D200x54
12	20420900 BEFESTIGUNGSSCHEIBE 30X3	ATTACHING WASHER 30X3	DISQUE DE FIXATION 30X3	RONDELLA DI FISSAGGIO
13	20047900 SENKSCHEIBE M6X12	COUNTERSUNK SCREW M6X12	VIS M6X12	VITE M6x12
14	20612600 RADKAPPE	WHEEL COVER	COUVERCLE DE LA ROUE	COPERCHIO RUOTA
15	20469000 BLECHSCHRAUBE 4.8X13	TIN SCREW 4,8x13	VIS A TOLE 4,8X13	VITE 4,8x13
16	20009600 U-SCHEIBE M5	WASHER M5	RONDELLE M5	RONDELLA M5



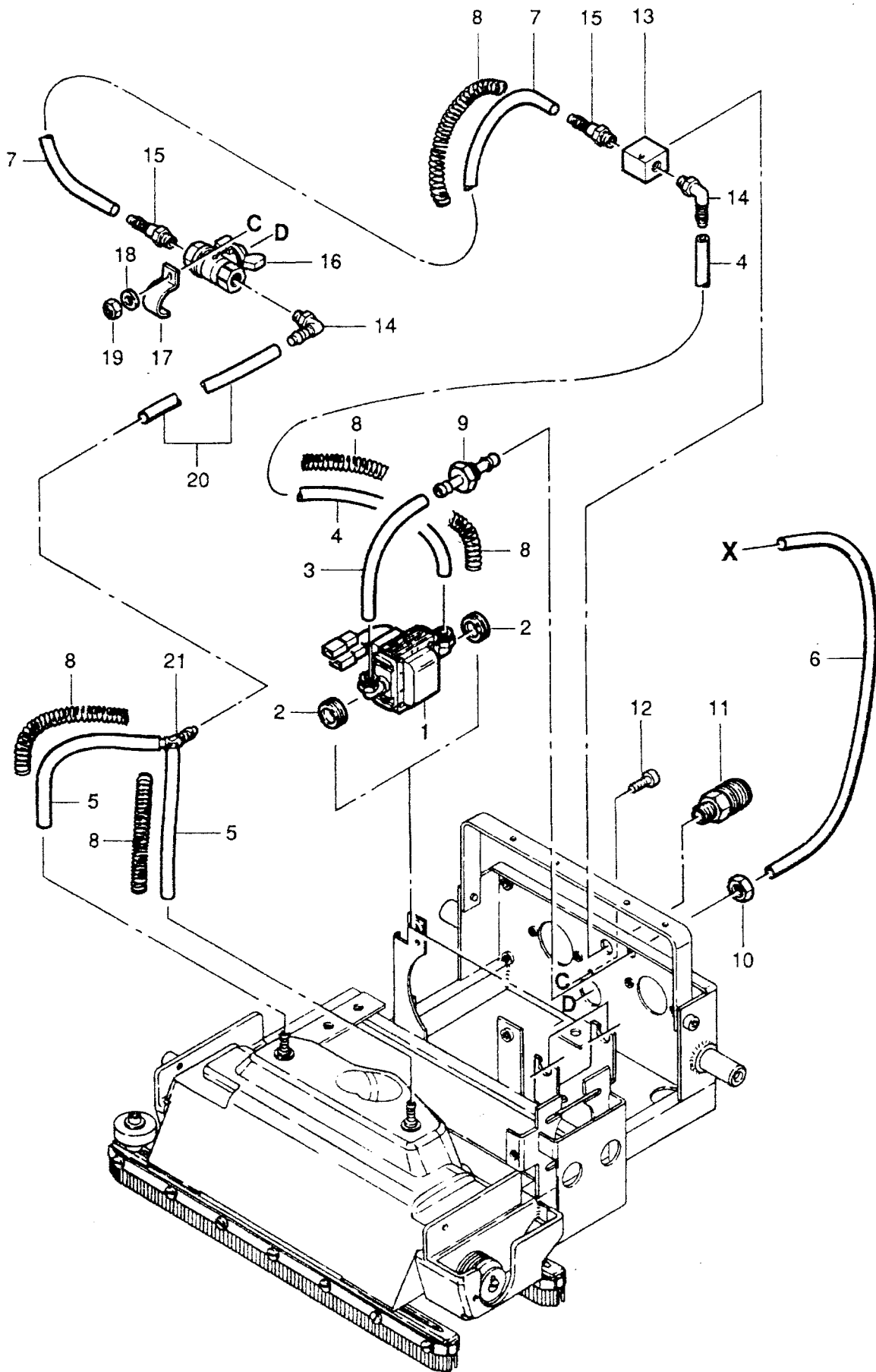
RA33 K32

POS	BEZEICHNUNG	DESCRIPTION	DESIGNATION	DESCRIZIONE
1	20480100 SAUGKANAL	SUCTION NOZZLE	SUCEUR	CANALE D'ASPIRAZIONE
2	20344100 DICHTUNG OBEN 200X10X3	TOP SEAL 200X10X3	JOINT EN HAUT 200X10X3	GUARNIZIONE SUPERIORE
3	20344200 DICHTUNG OBEN 190X18X3	TOP SEAL 190X10X3	JOINT EN HAUT 190X10X3	GUARNIZIONE SUPERIORE
4	20403400 ABDECKBLECH 219.6x190x2	COVER	COUVERCLE	COPERTURA
5	20343500 DICHTUNG UNTEN 190X18X3	LOWER SEAL	JOINT EN BAS	GUARNIZIONE INFERIORE
6	20377900 FLACHKOPFSCHRAUBE M4X10	PAN HEAD SCREW M4X10	VIS PAN HEAD M4X10	VITE M4x10
9	20102400 I-6KT SCHRAUBE M5X14	SCREW M5X14	VIS M5X14	VITE M5x14
10	20009600 U-SCHEIBE M5	WASHER M5	RONDELLE M5	RONDELLA M5
11	20614000 SPRÜHDÜSE KOMPLETT	SPRAYING NOZZLE CPL.	GICLEUR DE VAPORISATION	UGELLO COMPLERO
12	20462500 SICHERUNGSRING D9	SECURITY WASHER D9	RONDELLE DE SECURITE D9	RONDELLA DI FISSAGGIO D9
13	20434200 DÜSENHALTER	HOLDER FOR NOZZLE	FIXATION DE GICLEUR	SUPPORTO UGELLO
14	20462400 KUGEL ZU SPRÜHDÜSE	BALL FOR SPRAYING NOZZLE	BOULE POUR GICLEUR	PALLINA UGELLO
15	20462300 DRUCKFEDER	PRESSURE SPRING	RESSORT POUR GICLEUR	MOLLA DI PRESSIONE
16	20441700 SPRÜHDÜSE GELB	SPRAYING JET YELLOW	GICLEUR JAUNE	UGELLO GIALLO
17	20441800 ÜBERWURFMUTTER 3/8"	CUP NUT 3/8"	ECROU DE BLOCKAGE 3/8"	DADO 3/8"
18	20480200 DÜSENHALTER 230X115X3	NOZZLE HOLDER 230X115X3	PORTE-SUCEUR 230X115X3	SUPPORTO UGELLO
19	20119500 6-KT SCHRAUBE M5X12	HEX SCREW M5X12	VIS A 6 PANS M5X12	VITE A TESTA ES. M5x12
20	20067400 FÄCHERSCHEIBE M5	LOCK WASHER M5	RONDELLE EVANTAIL M5	RONDELLAM5
21	20423900 I-6KT SCHRAUBE M8x10	HEX SCRWE M8x10	VIS M8x10	VITE A TESTA ES. M8x10
	20486600 UNTERLAGE D30X10	DISTANCE PIECE D30X10	PIECE DE DISTANCE D30X10	DISTANZIALE D30x10
22	20386700 RUNDPUFFER	ROUND BUFFER	AMORTISSEUR	AMMORTIZZATORE
23	20614200 TRÄGER 262X45X5	ARCH 262X45X5	ARCH 262X45X5	STAFFA
24	20480400 SENKSCHRAUBE M8X12	COUNTERSUNK SCREW M8X12	VIS M8X12	VITE M8x12
25	20009600 U-SCHEIBE M5	WASHER M5	RONDELLE M5	RONDELLA M5
26	20046000 STOPPMUTTER M5	STOPP NUT M5	ECROU M5	DADO STOPP M5
27	20614300 GLEITKLOTZ	GLIDER	PATIN	ZOCCOLO
28	20613800 I-6KT SCHRAUBE M4x10	HEX SCRWE M4x10	VIS M4x10	VITE A TESTA ES. M4x10
30	20617500 U-SCHEIBE 8x30x2	WASHER 8x30x2	RONDELLE 8x30x2	RONDELLA 8X30X2



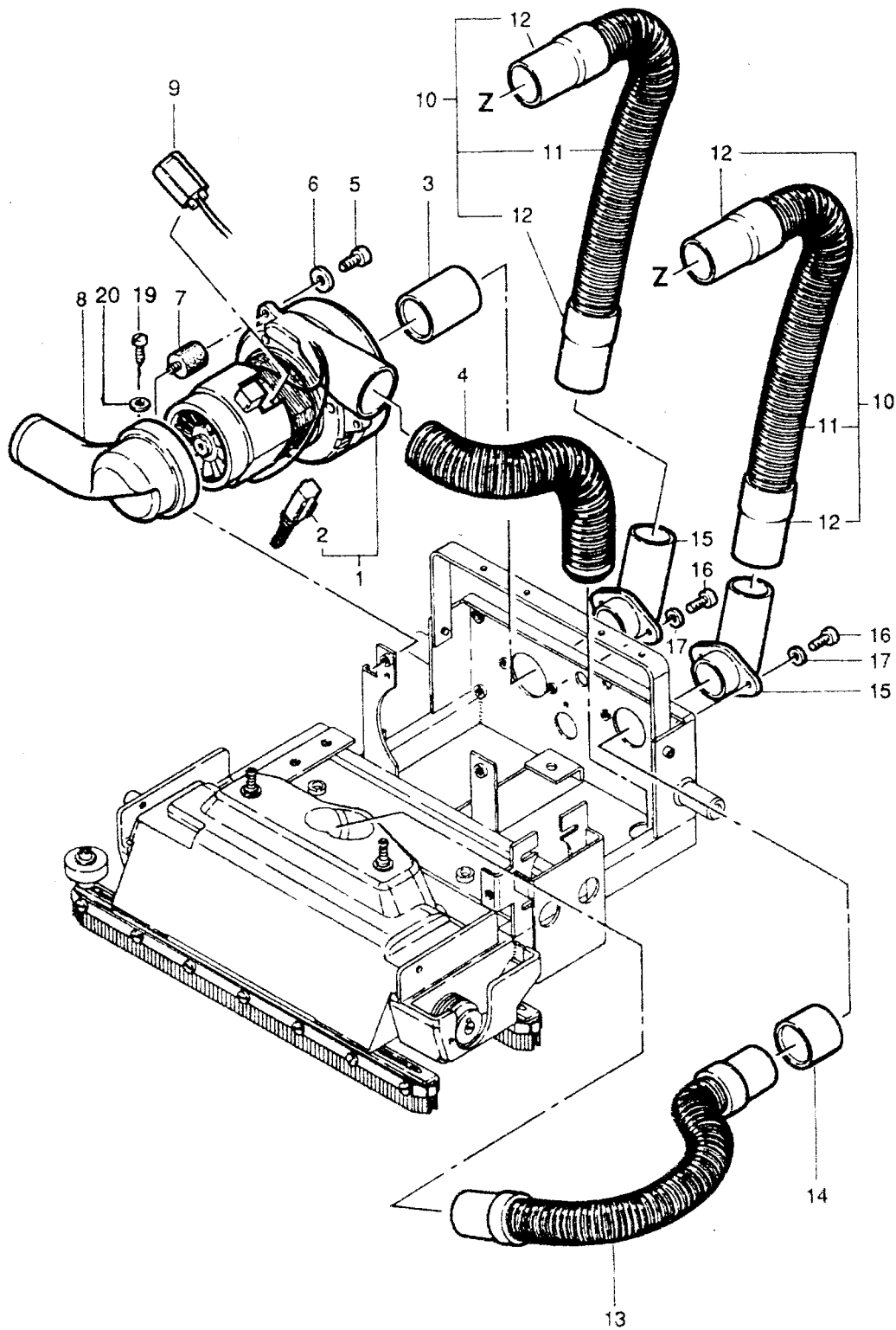
RA33 K32

POS	BEZEICHNUNG	DESCRIPTION	DESIGNATION	DESCRIZIONE
4	20481400 WASSERSAUGDÜSE	SUCTION NOZZLE	SUCEUR	BOCCHETTA LIQUIDI
5	20419100 LAMELLE AUSSEN (BLAU)	OUTER LAMELLA (BLUE)	LAMELLE EXTERIEUR BLEU)	LAMELLE ESTERNE(BLU)
6	20428400 LAMELLE INNEN (GRÜN)	INNER LAMELLE (GREEN)	LAMELLE INTERIEUR (VERT)	LAMELLE INTERNE (VERDI)
7	20321500 HALTEBLECH 448X10X2;5	CLAMPING PLATE	PIECE DE FIXATION	SUPPORTO IN LAMIERA
8	20377900 FLACHKOPFSCHRAUBE M4X10	PAN HEAD SCREW M4X10	VIS PAN HEAD M4X10	VITE M4x10
9	20321700 KANTENSCHUTZ 50/10X1	PROTECTION PIECE	PROTECTION	PROTEZIONE
10	20321400 ABWEISROLLE 40X10	FENDER WHEEL	ROUE DE REJET	RUOTE 40x10
11	20321300 DISTANZHÜLSE 8/5.5x10.5	DISTANCE PIECE	PIECE DE DISTANCE	DISTANZIALE
12	20009600 U-SCHEIBE M5	WASHER M5	RONDELLE M5	RONDELLA M5
13	20455700 I-6KT SCHRAUBE M5X16	HEX SOCKET SCREW M5X16	VIS A 6 PANS M5X16	VITE M5x16



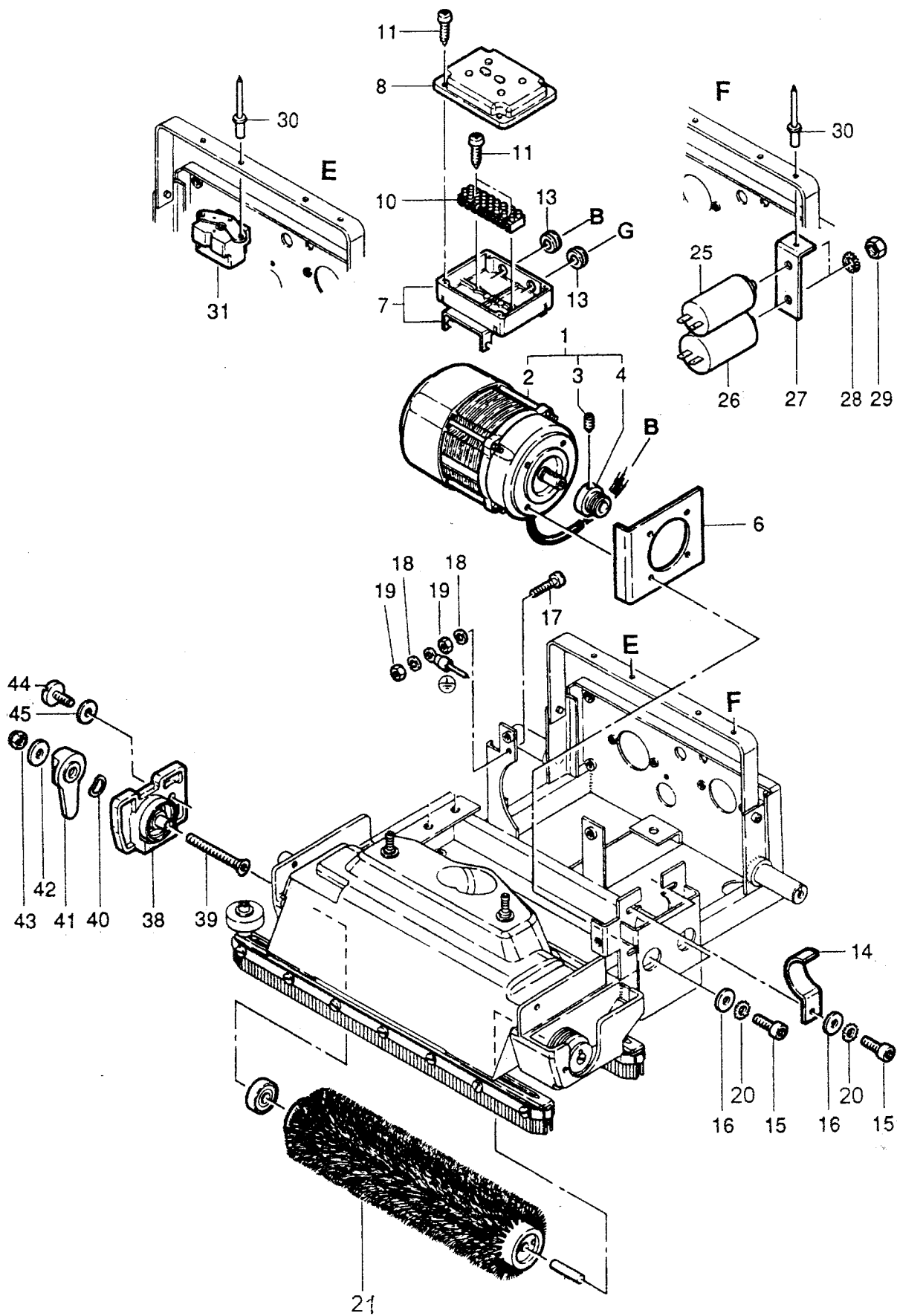
RA33 K32

POS	BEZEICHNUNG	DESCRIPTION	DESIGNATION	DESCRIZIONE	
1	20322503	SCHWINGKOLBENPUMPE NDS-C	NDS-C PUMP	POMPE NDS-C	POMPA NDS-C
2	20341600	HALTERING D14	GROMMET	ANNEAU DE FIXATION	ANELLO DA SUPPORTO D14
3	20403301	ANSAUGSCHLAUCH 8/6X170	SUCTION HOSE 8/6X170	TUYAU D'ASPIRATION 8/6X170	TUBO ASPIRAZIONE 8/6X170
4	20403300	DRUCKSCHLAUCH 8/6X320	PRESSURE HOSE 8/6X320	TUYAU DE PRESSION 8/6X320	TUBO PRESSIONE 8/6X320
5	20403302	DRUCKSCHLAUCH 8/6X120	PRESSURE HOSE 8/6X120	TUYAU DE PRESSION 8/6X120	TUBO PRESSIONE 8/6X120
6	20403307	ANSAUGSCHLAUCH 8/6X330	SUCTION HOSE 8/6X330	TUYAU D'ASPIRATION 8/6X330	TUBO ASPIRAZIONE 8/6X330
7	20403303	ANSAUGSCHLAUCH 8/6X210	SUCTION HOSE 8/6X210	TUYAU D'ASPIRATION 8/6X210	TUBO ASPIRAZIONE 8/6X210
8	20404900	STÜTZFEDER	SPRING	RESSORT	MOLLA
9	20419200	DOPPELNIPPEL	DOUBLE FITTING	RACCORD DOUBLE	RACCORDO DOPPIO
10	20419300	6KT MUTTER G1/8"	HEX NUT G1/8"	ECROU A 6 PANS G1/8"	DADO ESAGONALE G1/8"
11	20421200	SCHNELLKUPPLUNG 1/4"	FEMALE QUICK CONNECT.	ACCOUPEMENT	ATTACCO RAPIDO 1/4"
12	20119500	I-6KT SCHRAUBE M5x12	HEX SOCKET SCREW M5x12	VIS M5x12	VITE A TESTA ES. M5X12
13	20617600	VERTEILERBLOCK	DISTRIBUTION PIECE	PIECE DE DISTRIBUTION	PEZZO DISTRIBUZIONE
14	20617700	WINKELNIPPEL 6R 1/8"	ANGLED NIPPLE	RACCORD A ANGLE	RACCORDO AD ANGOLO 6R 1/8"
15	20617800	NIPPEL GERADE 6R 1/8"	NIPPLE	RACCORD	RACCORDO DIRITTO 6R 1/8"
16	20471500	KUGELHAHN	BALL TAP	ROVINETA BILLE	TAPPO SFERICO
17	20617900	BRIDE	CLAMP	BRIDE	FASCETTA
18	20455800	U-SCHEIBE M5	WASHER M5	RONDELLE M5	RONDELLA M5
19	20046000	SICHERUNGSMUTTER M5	STOP NUT M5	ECROU M5	DADO FISSAGGIO M5
20	20403300	DRUCKSCHLAUCH	SUCTION HOSE	TUYAU D'ASPIRATION	TUBO PRESSIONE
21	20404400	Y-STÜCK D6	Y-PIECE D6	PIECE Y D6	PEZZO A Y D6



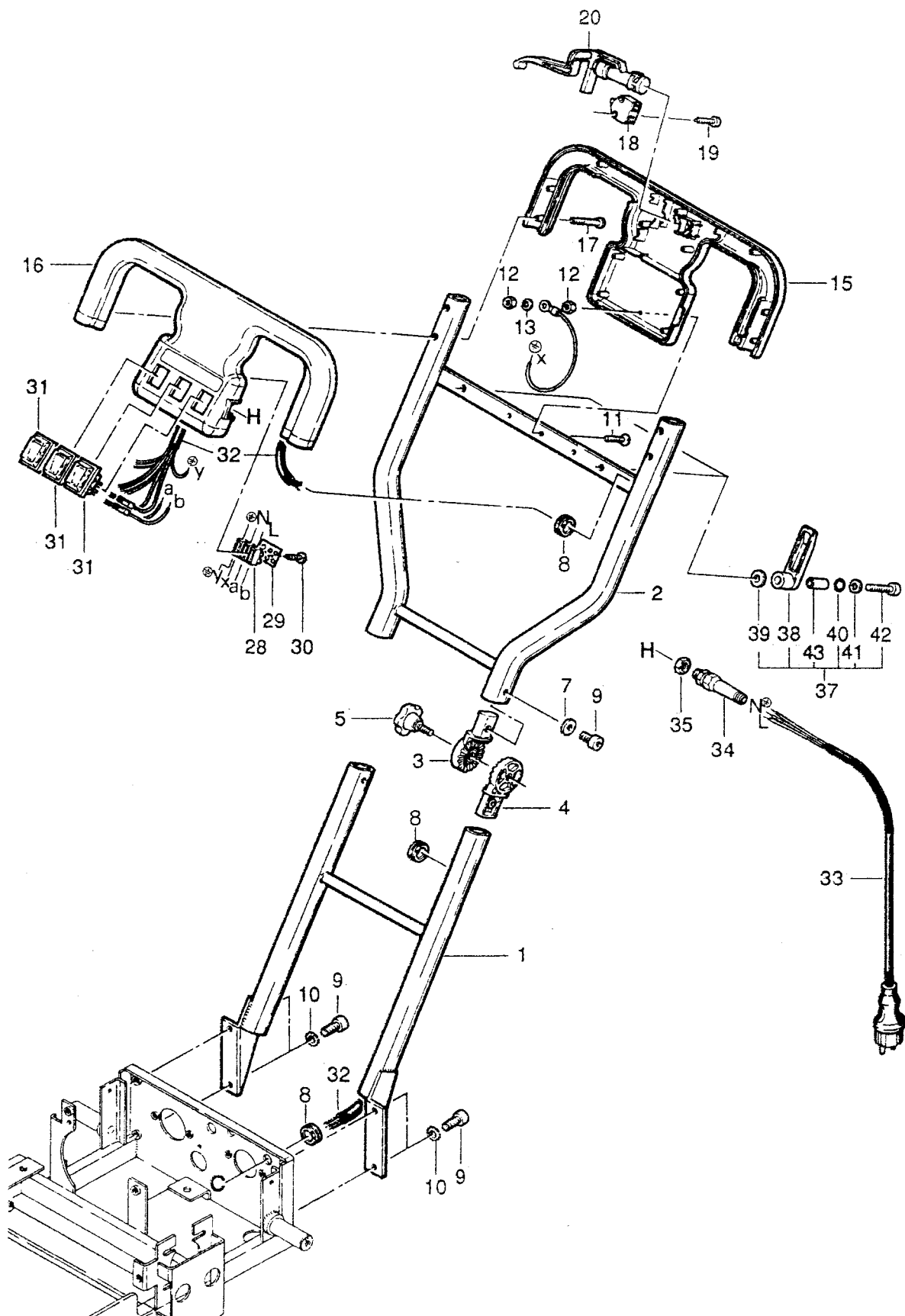
RA33 K32

POS	BEZEICHNUNG	DESCRIPTION	DESIGNATION	DESCRIZIONE
1	20322100 SAUGMOTOR EMC 240V	SUCTION MOTOR EMC 240V	MOTEUR D'ASPIR. EMC 240V	MOTORE ASPIR. EMC 240V
2	20487000 KOHLEBÜRSTEN (PAAR)	PAIR OF CARBON BRUSHES	BALAI DE CHARBON	CARBONCINI (COPPIA)
3	20487100 VERBINDUNGSSTUTZEN	CONNECTION PIECE	RACCORD	CONNETTORE
4	20321900 SCHALLDÄMMSCHLAUCH	NOISE ABSORBING HOSE	ISOLATION DE BRUIT	TUBO FONOASSORBENTE
5	20151900 I-6KT SCHRAUBE M6X12	SCREW M6X12	VIS M6X12	VITE M6x12
6	20000700 U-SCHEIBE M6	WASHER M6	RONDELLE M6	RONDELLA M6
7	20487200 RUNDPUFFER D20X25	ROUND BUFFER D20X25	AMORTISEUR D20X25	AMMORTIZZATORE D20x25
8	20421400 KÜHLLUFTKANAL	TUBE FOR MOTOR COOLING	CANAL D'AIR DE REFRIG.	CANALE DI VENTILAZIONE
9	20459400 ENTSTÖRKONDENSATOR	CAPACITOR	CONDENSATEUR	CONDENSATORE ANTID.
10	20348600 SCHLAUCH KOMPLETT	HOSE COMPLETE	TUYAU COMPLETE	TUBO COMPLETO
11	20487500 SCHLAUCH 40/33X310	HOSE 40/33X310	TUYAU 40/33X310	TUBO 40/33x310
12	20348500 ANSCHLUSSMUFFE NW32	SOCKET NW32	MANCHON NW32	RACCORDO TUBO NW32
13	20422100 SAUGSCHLAUCH NW32X490	SUCTION HOSE NW32X490	TUYAU D'ASPIRATION	TUBOFLEX NW32x490
14	20481100 MUFFE D43X35.5	SOCKET D43X35.5	MANCHON D43X35.5	RACCORDO D43x35,5
15	20322000 ÜBERGANGSSTUTZEN	CONNECTION PIECE	RACCORD	RACCORDO
16	20487600 I-6KT SCHRAUBE M4X12	SCREW M4X12	VIS M4X12	VITE M4x12
17	20000300 U-SCHEIBE M4	WASHER M4	RONDELLE M4	RONDELLA M4
19	20474900 BLECHSCHRAUBE 2,9x6,5	SCREW 2,9x6,5	VIS 2,9x6,5	VITE 2,9x6,5
20	20112400 U-SCHEIBE M3	WASHER M3	RONDELLE M3	RONDELLA M3
21	20480800 SAUGANSCHLUSSLAPPE	HOSE CONNECTION CAP	PIECE DE RACCORDEMENT	RACCORDO



RA33 K32

POS	BEZEICHNUNG	DESCRIPTION	DESIGNATION	DESCRIZIONE	
1	20487700	BÜRSTMOTOR KOMPLETT	BRUSH MOTOR COMPLETE	MOTEUR DE BROSSE CPL.	MOTORE SPAZZOLA CPL.
2	20425700	EL-MOTOR 370W	BRUSH MOTOR 370W	MOTEUR DE BROSSE 370W	MOTORE EL 370W
3	20475100	GEWINDESTIFT M6X10	THREADED PIN M6X10	VIS SANA TETE M6X10	SPINOTTO FILETTATO M6x10
4	20475200	RIEMENSCHLEIBE	BELT PULLEY	POULIE	PULEGGIA TRASMISS.CINGHIA
6	20481900	MOTORHALTEPLATTE 110X90X3	MOTOR HOLDER	FIXATION POUR MOTEUR	PIASTRA FISSAGGIO MOTORE
7	20475400	KLEMMENKASTEN UNTERTEIL KPL-	DISTRIBUTION BOX	BOITE DE DISTRIBUTION	MORSETTIERA INF. COMPL.
8	20461300	KLEMMENKASTEN-DECKEL	COVER OF DISTRIBUTION BOX	COUVERCLE	COPERCHIO MORSETTIERA
10	20618000	REIHENKLEMME 8-FACH	TERMINAL 8 POLES	SERRE-FILS 8 POLES	MORSETTIERA
11	20461600	PT-SCHRAUBE KA30X14	PT SCREW KA30X14	VIS PT KA30X14	VITE KA 30x14
13	20476000	DURCHFÜHRTÜLLE	RUBBER CLAMP	PASSE-FILL	BECCUCCIO DI PASSAGGIO
15	20102400	I-6KT SCHRAUBE M5X16	SCREW M5X16	VIS M5X16	VITE M5X16
16	20009600	U-SCHLEIBE M5	WASHER M5	RONDELLE M5	RONDELLA M5
17	20086900	ZYL.SCHRAUBE M4X20	SCREW M4X20	VIS M4X20	VITE CILINDRICA M4x20
18	20460700	FEDERRING M4	SPRING RING M4	ANNEAU A RESSORT M4	ANELLO M4
19	20002600	6KT MUTTER M4	HEX NUT M4	ECROU A 6 PANS M4	DADO ESAGONALE M4
21	20252901	BÜRSTE KOMPLETT	BRUSH COMPLETE	BROSSE COMPLETE	SPAZZOLA COMPL.
25	20438400	KONDENSATOR 12MF/450V	CAPACITOR 12MF/450V	CONDENSATEUR 12MF/450V	CONDENSATORE 12MF/450V
26	20488200	KONDENSATOR 16MF/450V	CAPACITOR 16MF/450V	CONDENSATEUR 16MF/450V	CONDENSATORE 16MF/450V
27	20618100	WINKEL F. KONDENSATOR	ANGLED HOLDER	ANGLE EN TOLE	ANGOLO PER CONDENS.
28	20618200	FÄCHERSCHLEIBE M8	LOCK WASHER M8	RONDELLE M8	RONDELLA m8
29	20000500	6-KT MUTTER M8	HEX NUT M8	ECROU A 6 PANS M8	DADO ESAGONALE M8
30	20476100	BLINDNIETE 4x8	BLIND RIVET 4x8	RIVET 4x8	RIVETTO 4X8
31	20618300	RELAIS	RELAIS	RELAIS	RELAIS
32	20224800	BLINDNIETE 4x12	BLIND RIVET 4x12	RIVET 4x12	RIVETTO 4X12
37	20423700	BÜRSTENHALTER KPL.	BRUSH SUPPORT CPL.	SUPPORT DE BROSSE CPL.	SUPPORTO SPAZZOLA CPL.
38	20321100	BÜRSTENHALTER	BRUSH SUPPORT	SUPPORT DE BROSSE	SUPPORTO SPAZZOLA
39	20482100	SENKSCHRAUBE M6X60	SCREW M6X60	VIS M6X60	VITE M6x60
40	20369300	FEDERSCHLEIBE	SPRING WASHER	RONDELLE A RESSORT	RONDELLA
41	20343600	STÜTZE	SUPPORT	SOUTIEN	SUPPORTO
42	20000700	U-SCHLEIBE M6	WASHER M6	RONDELLE M6	RONDELLA M6
43	20070000	STOPPMUTTER M5	STOPP NUT M6	ECROU M6	DADO STOPP M5
44	20341300	SPEZIALSCHRAUBE M5X12	SPECIAL SCREW M5X12	VIS SPECIALE M5X12	VITE SPECIALE M5x12
45	20112900	U-SCHLEIBE M5	WASHER M5	RONDELLE M5	RONDELLA M5



POS	BEZEICHNUNG	DESCRIPTION	DESIGNATION	DESCRIZIONE	
1	20483200	STOSSBÜGEL UNTERTEIL	LOWER PUSHBAR	GUIDON INFERIEURE	STAFFA INFERIORE
2	20483300	STOSSBÜGEL OBERTEIL	UPPER PUSHBAR	GUIDON SUPERIEURE	STAFFA SUPERIORE
3	20431100	GELENK OBEN	UPPER JOINT	JOINT SUPERIEURE	GIUNTO SUPERIORE
4	20431000	GELENK UNTEN	LOWER JOINT	JOINT INFERIEURE	GIUNTO INFERIORE
5	20360200	STERNGRIFF	SCREW KNOB	POIGNEE	MANOPOLA A STELLA
6	20468800	FLACHKOPFSCHRAUBE M6X12	PAN HEAD SCREW M6X12	VIS PAN HEAD M6X12	VITE M6x12
7	20000700	U-SCHEIBE M6	WASHER M6	RONDELLE M6	RONDELLA M6
8	20341600	DURCHFÜHRUNGSTÜLLE	RUBBER CLAMP	DOUILLE DE PASSAGE	BECCUCCIO DI PASSAGGIO
9	20151900	I-6KT SCHRAUBE M6X12	SCREW M6X12	VIS M6X12	VITE M6X12
10	20008000	FÄCHERSCHEIBE M6	LOCK WASHER M6	RONDELLE EVANTAIL M6	RONDELLA M6
11	20086900	SENKSCHRAUBE M4X20	SCREW M4X20	VIS M4X20	VITE M4x20
12	20002600	6KT MUTTER M4	HEX NUT M4	ECROU A 6 PANS M4	DADO ESAGONALE M4
13	20460700	FEDERRING M4	SPRING RING M4	ANNEAU A RESSORT M4	ANELLO M4
15	20485200	GRIFFSCHALE UNTEN	LOWER HOUSING HANDLE	BATI DE POIGNEE INF.	SCATOLA IMPUGN. INFERIORE
16	20488400	GRIFFSCHALE OBEN	UPPER HANDLE HOUSING	BATI DE POIGNEE SUP.	SCATOLA IMPUGN. SUPERIORE
17	20420100	PT-SCHRAUBE KA30X30	PT SCREW KA30X30	VIS PT KA 30X30	VITE KA 30x30
18	20344600	TASTSCHALTER	SWITCH	INTERRUPTEUR	INTERRUTTORE
19	20420000	PT-SCHRAUBE KA30X20	PT SCREW KA30X20	VIS PT KA30X20	VITE KA 30X20
20	20344700	STEUERHEBEL KOMPLETT	LEVER COMPLETE	LEVIER COMPLETE	LEVA COMPL.
28	20461400	REIHENKLEMME 3-FACH	TERMINAL 3-POLES	SERRE-FILS 3 POLES	MORSETTIERA TRIPOLARE
29	20478100	BEZEICHNUNGSPLÄTTCHEN	MARKING PLATE	PLAQUE DE CLASSIFIC.	PIASTRINA DESCRIZIONI
30	20152600	BLECHSCHRAUBE 2,9x16	TIN SCREW 2,9x16	VIS A TOLE 2,9x16	VITE 2,9X16
31	20460800	WIPPSCHALTER	TUMBLER SWITCH	INTERRUPTEUR	INTERRUTTORE A BILICO
32	20618500	KABELBAUM STOSSBÜGEL	WIRING TO HANDLE	CABLES POUR POIGNEE	MORSETTO CAVI
33	20445400	ANSCHLUSSKABEL 600mm	HARNESS 600mm	FAISCEAU DE CABLE 600mm	CAVO ALIMENTAZIONE 600mm
34	20344800	KABELVERSCHRAUBUNG	CABLE ATTACHEMENT	ATTACHEMENT DU CABLE	RACCORDO FILETTATO CAVO
35	20419600	KONTERMUTTER PG9	COUNTER NUT PG9	CONTRE ECROU PG9	CONTRODADO PG9
37	20319600	KABELHAKEN KPL.	CATCH FOR CABLE	CROCKETS POUR CABLE	PASSACAVO COMPL.
	20439500	NETZZULEITUNG 20m	MAIN CONNECTION 20m	CABLE D'ALIMENTATION 20m	CAVO ALIMENTAZIONE 20m