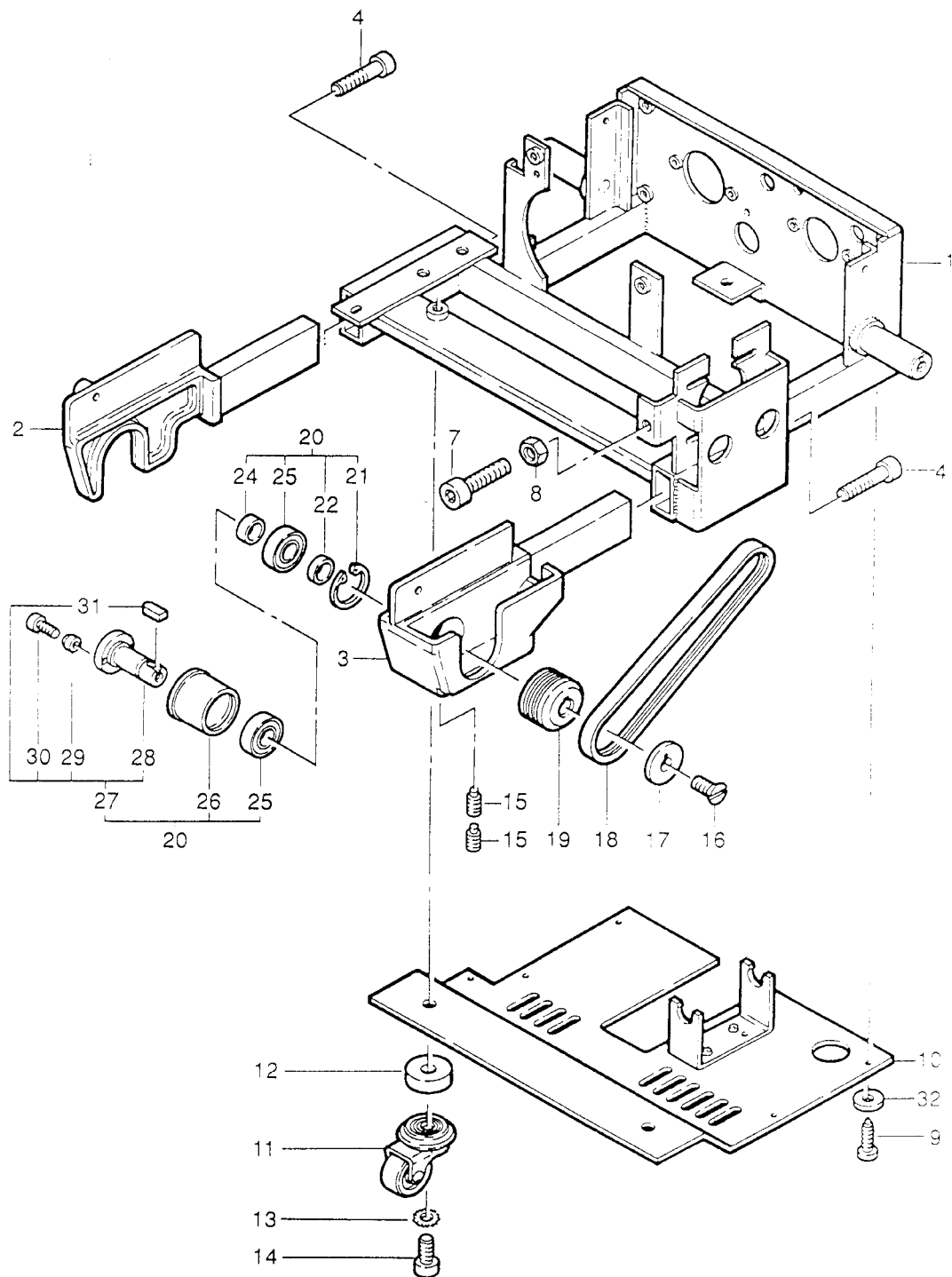


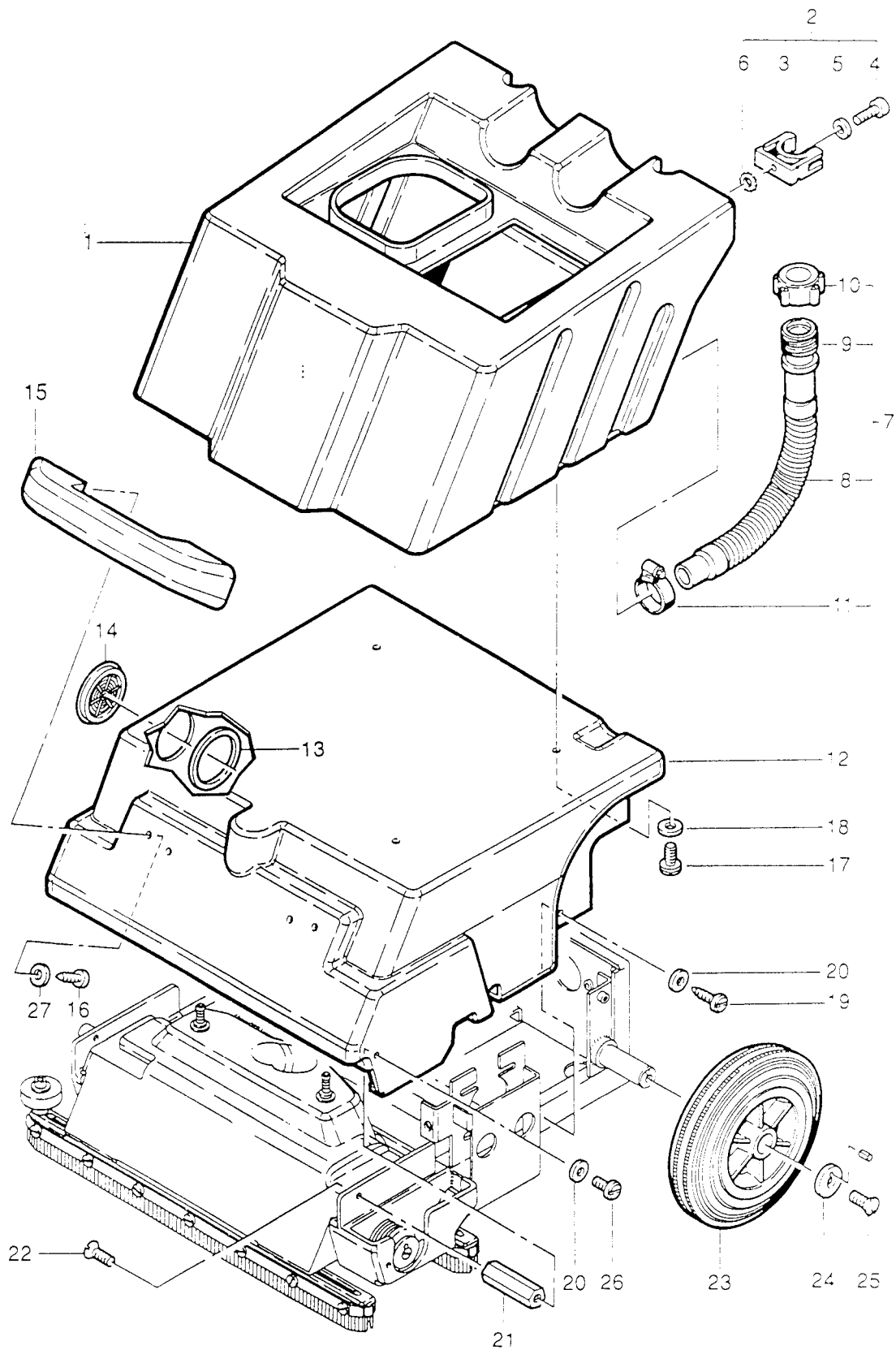
**RA33 K**

<b>POS</b>	<b>BEZEICHNUNG</b>	<b>DESCRIPTION</b>	<b>DESIGNATION</b>	<b>DESCRIZIONE</b>
1	20322400 ABDECKHAUBE KOMPL.	TANK COVER COMPL.	CAPOT COMPL.	COPERCHIO SERBATOIO CPL.
2	20445200 HAUBE	TANK COVER	CAPOT	COPERCHIO SERBATOIO
3	20405200 TRENNWAND KOMPL.	PARTITION COMPL.	SEPARATION COMPL.	DIVISORE CPL.
4	20372700 ROHRKLEMME	HOSE CLAMP	PINCE POUR TUYAU	MORSETTO TUBO
5	20465800 TRENNWAND	PARTITION	SEPARATION	DIVISORE
6	20465900 TRENNWANDDICHTUNG	SEAL FOR PARTITION	JOINT POUR SEPARATION	GUARNIZIONE DIVISORE
7	20454000 PT-SCHRAUBE 3X10	PT-SCREW 3X10	VIS PT 3X10	VITE PT 3x10
8	20320800 SIEB	FILTER	FILTRE	FILTRO
9	20481600 HAUBE	TANK COVER	CAPOT	COPERCHIO
10	20320900 HAUBENDICHTUNG	SEAL FOR COVER	JOINT DU CAPOT	GUARNIZIONE COPERCHIO
11	20321000 FRISCHWASSERTANK	FRESH WATER TANK	RECIPIENT D'EAU FRAICHE	SERBATOIO SOLUZ.DETERG.



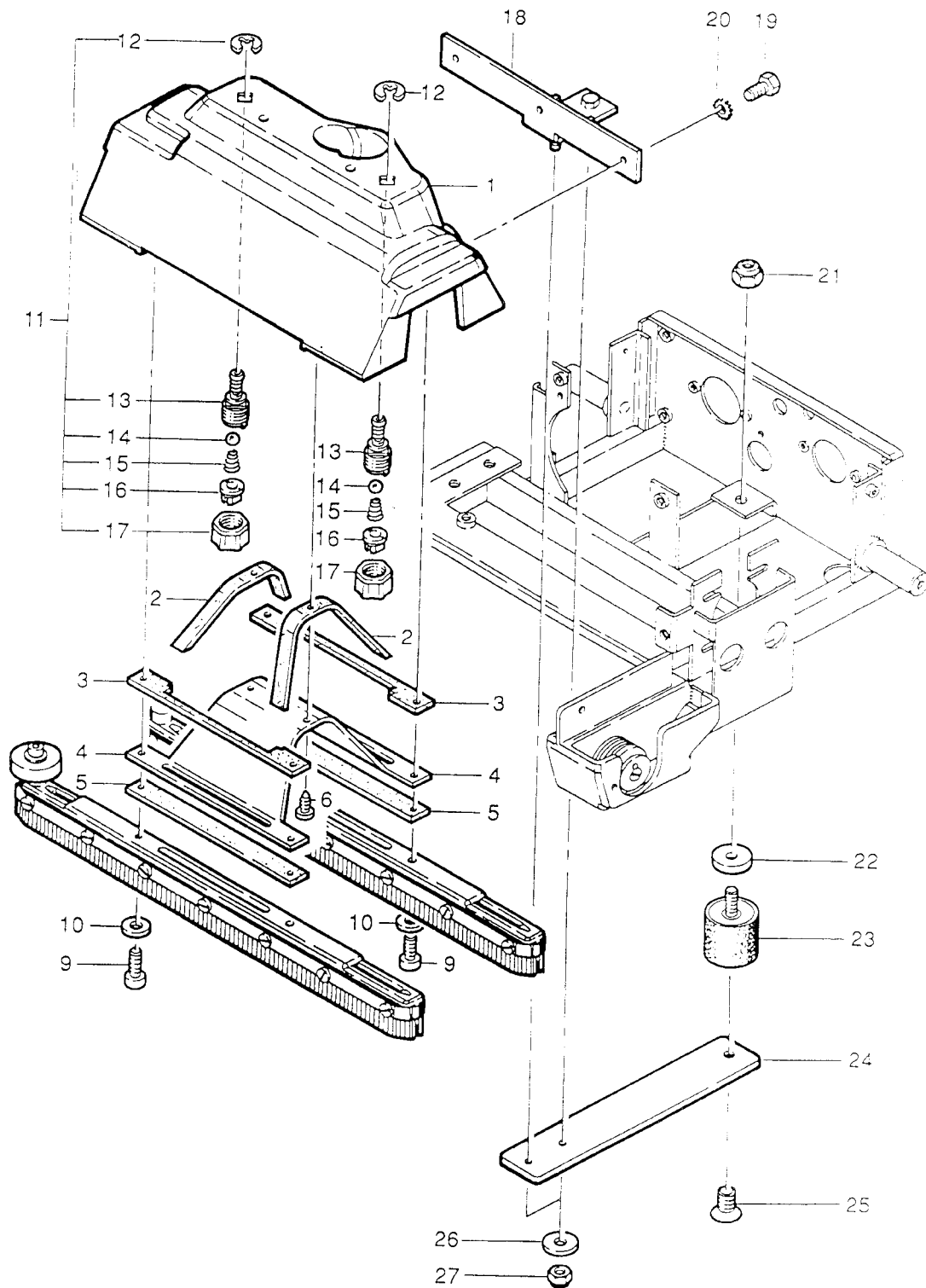
## RA33 K

POS	BEZEICHNUNG	DESCRIPTION	DESIGNATION	DESCRIZIONE
1	20466200	CHASSIS	CHASSIS	TELAIO
2	20466300	HALTESCHIENE RECHTS	RIGHT SUPPORT	SUPPORTO DESTRO
3	20479700	HALTESCHIENE LINKS	LEFT SUPPORT	SUPPORTO SINISTRO
4	20067500	I-6KT SCHRAUBE M6X30	SCREW M6X30	VITE M6x30
7	20029200	I-6KT SCHRAUBE M8X25	SCREW M8X25	VITE M8x25
8	20000500	MUTTER M8	HEX NUT M8	DADO M8
9	20045300	BLECHSCHRAUBE 2,9X9,5	TIN SCREW 2,9X9,5	VITE 2,9x9,5
10	20486300	BODENBLECH	BOTTOM PLATE	BASAMENTO IN LAMIERA
11	20344000	LENKROLLE	CASTOR	RUOTA
12	20479600	UNTERLAGE	DISTANCE PIECE	DISTANZIALE
13	20005500	FÄCHERSCHEIBE M8	LOCK WASHER M8	RONDELLA M8
14	20029200	I-6KT SCHRAUBE M8X25	SCREW M8X25	VITE M8x25
15	20439900	GEWINDESTIFT M5X5	THREAD PIN M5X5	SPINOTTO FILETTATO M5x5
16	20047900	SENKSCHRAUBE M6X12	SCREW M6X12	VITE M6x12
17	20420900	BEFESTIGUNGSSCHEIBE	ATTACHING WASHER	RONDELLA DI BLOCCO
18	20321200	ANTRIEBSRIEMEN	DRIVING BELT	CINGHIA DI TRASMISSIONE
19	20439800	RIEMENSCHLEIBE	BELT PULLEY	DISCO TRASCINATORE
20	20382300	MITNEHMERWELLE KPL.	BRUSH AXLE COMPLETE	ALBERO TRASSMISS.CPL.
21	20467200	SEEGERRING I32	RETAINING RING I32	SEEFER I 32
22	20479800	DISTANZRING 18/15X4	DISTANCE RING 18/15X4	DISTANZIALE 18/15x6,8
24	20479900	DISTANZRING 13/15X6.8	DISTANCE RING 13/15X6.8	CUSCINETTO
25	20467500	RILLENKUGELLAGER	BALL BEARING	CUSCINETTO
26	20467600	LAGERBÜCHSE	BEARING BOX	BOCCOLA
27	20467700	WELLE KOMPLETT	AXLE COMPLETE	ALLE COMPLETO
28	20431300	MITNEHMERWELLE	AXLE	ASSE
29	20343900	DISTANZHÜLSE	DISTANCE RING	DISTANZIALE
30	20343800	I-6KT SCHRAUBE M4X8	SCREW M4X8	VITE M4X8
31	20480000	KEIL	WEDGE	CUNEO
32	20112400	U-SCHLEIBE M3	WASHER M3	RONDELLA M3



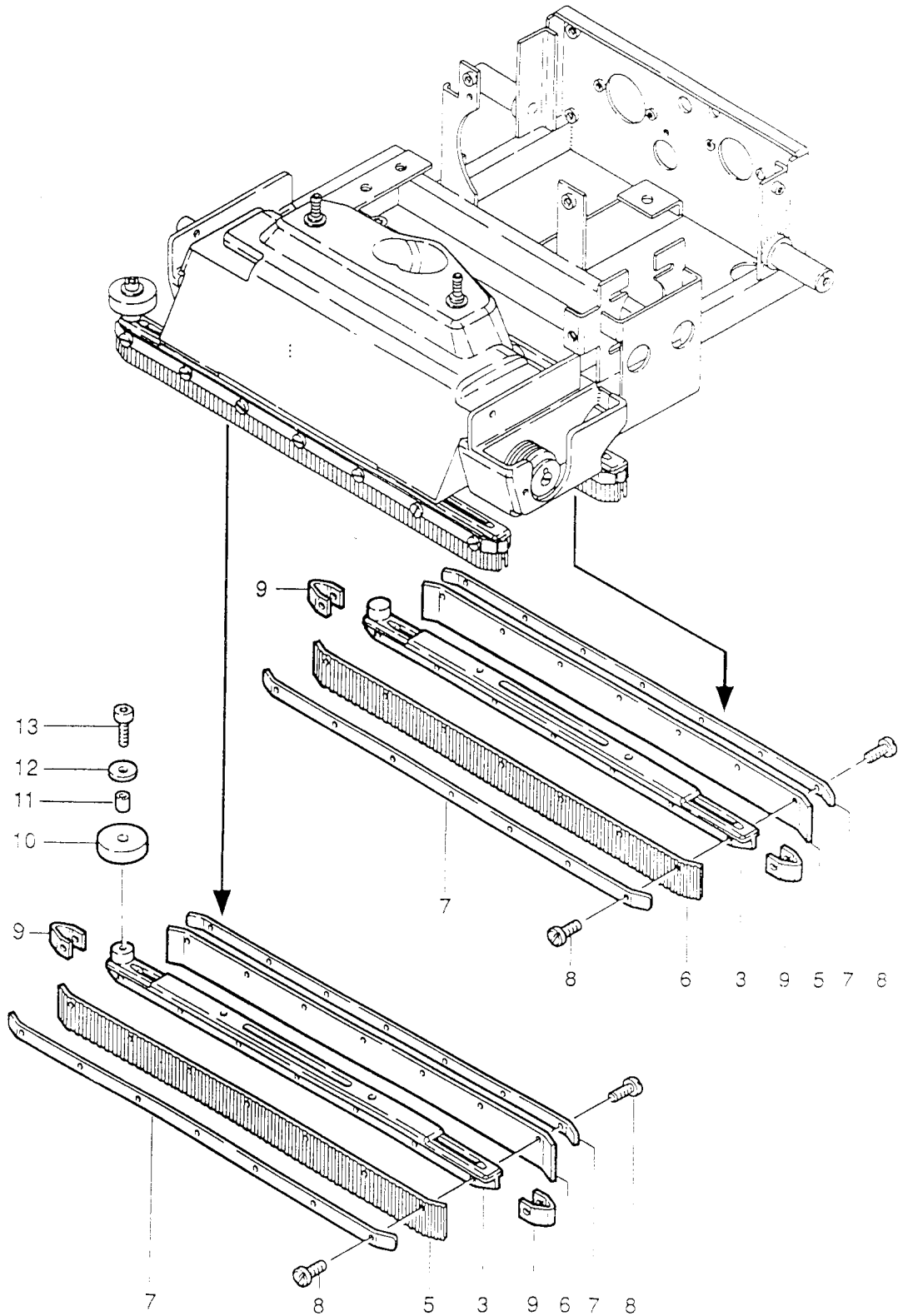
## RA33 K

POS	BEZEICHNUNG	DESCRIPTION	DESIGNATION	DESCRIZIONE
1	20420300 BEHÄLTER	TANK	RECIPIENT	SERBATOIO
2	20485400 SCHLAUCHHALTER KPL.	HOSE SUPPORT CPL.	SUPPORT POUR TUYAU CPL.	SUPPORTO TUBO CPL.
3	20341400 SCHLAUCHHALTER	HOSE SUPPORT	SUPPORT POUR TUYAU	SUPPORTO TUBO
4	20102400 I-6KT SCHRAUBE M5X14	SCREW M5X14	VIS M5X14	VITE M5x14
5	20009600 U-SCHEIBE M5	WASHER M5	RONDELLE M5	RONDELLA M5
6	20067400 FÄCHERSCHEIBE M5	LOCK WASHER M5	RONDELLE EVANTAIL M5	RONDELLA
7	20343700 ABLAUFSCHLAUCH KPL.	DISCHARGE HOSE CPL.	TUYAU DE VIDANGE CPL.	TUBO DI SCARICO CPL.
8	20486500 ABLAUFSCHLAUCH	DISCHARGE HOSE	TUYAU DE VIDANGE	TUBO DI SCARICO
9	20448400 SCHLAUCHMUFFE	HOSE SOCKET	MANCHON	MANICOTTO TUBO
10	20320000 DECKEL ZU SCHLAUCHMUFFE	HOSE SOCKET CAP	COUVERCLE DU MANCHON	COPERCHIO MANICOTTO TUBO
11	20468500 SCHLAUCHBRIDE D39.6	HOSE CLAMP	COLLIER DE SERRAGE	MORSETTO TUBO D39,6
12	20420500 CHASSISABDECKUNG	CHASSIS COVER	COUVERTURE DU CHASSIS	COPERCHIO TELAIO
13	2,04E+08 BEFESTIGUNGSRING	ATTACHING RING	ANNEAU D'ATTACHEMENT	RONDELLA DI FISSAGGIO
14	20404800 LÜFTUNGSGITTER	VENTILATION GRILL	GRILLAGE DE VENTILATION	GRIGLIA DI VENTILAZIONE
15	20420400 BÜGELGRIFF	HANDLE	POIGNEE	MANIGLIA
16	20468700 PT-SCHRAUBE KA50X18	PT-SCREW KA 50X18	VIS PT KA50X18	VITE KA50x18
17	20468800 FLACHKOPFSCHRAUBE M6X12	PAN HEAD SCREW M6X12	VIS M6X12	VITE M6x12
18	20000700 U-SCHEIBE M6	WASHER M6	RONDELLE M6	RONDELLA M5
19	20469000 BLECHSCHRAUBE 4.8X13	TIN SCREW 4,8x13	VIS A TOLE 4,8X13	VITE 4,8x13
20	20009600 U-SCHEIBE M5	WASHER M5	RONDELLE M5	RONDELLA M5
21	20479900 DISTANZBOLZEN	DISTANCE PIECE	PIECE DE DISTANCE	BOCCOLA DISTANZIALE
22	20047900 SENKSCHRAUBE M6X12	COUNTERSUNK SCREW M6X12	VIS M6X12	VITE M6x12
23	20420800 LAUFRAD D200X54	WHEEL D200X54	ROUE D200X54	RUOTA D200x54
24	20420900 BEFESTIGUNGSSCHEIBE 30X3	ATTACHING WASHER 30X3	DISQUE DE FIXATION 30X3	RONDELLA DI FISSAGGIO
25	20047900 SENKSCHRAUBE M6X12	SCREW M6X12	VIS M6X12	VITE M6x12
26	20420600 FLACHKOPFSCHRAUBE M5X12	PAN HEAD SCREW M5X12	VIS PAN HEAD M5X12	VITE M5x12
27	20009600 U-SCHEIBE M5	WASHER M5	RONDELLE M5	RONDELLA M5



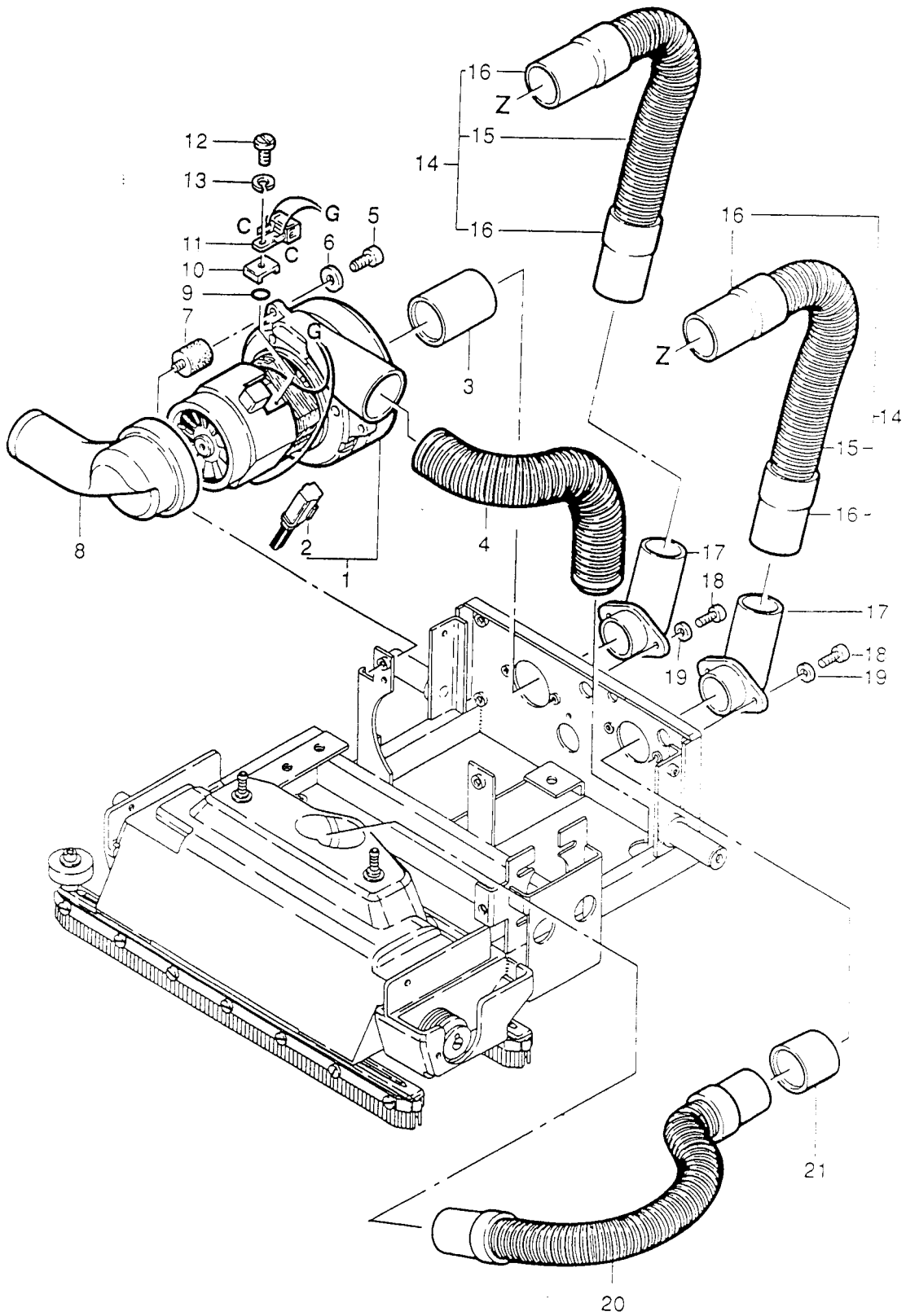
## RA33 K

POS	BEZEICHNUNG	DESCRIPTION	DESIGNATION	DESCRIZIONE
1	20480100 SAUGKANAL	SUCTION NOZZLE	SUCEUR	CANALE D'ASPIRAZIONE
2	20344100 DICHTUNG OBEN 200X10X3	TOP SEAL 200X10X3	JOINT EN HAUT 200X10X3	GUARNIZIONE SUPERIORE
3	20344200 DICHTUNG OBEN 190X18X3	TOP SEAL 190X10X3	JOINT EN HAUT 190X10X3	GUARNIZIONE SUPERIORE
4	20403400 ABDECKBLECH 219.6x190x2	COVER	COUVERCLE	COPERTURA
5	20343500 DICHTUNG UNTEN 190X18X3	LOWER SEAL	JOINT EN BAS	GUARNIZIONE INFERIORE
6	20377900 FLACHKOPFSCHRAUBE M4X10	PAN HEAD SCREW M4X10	VIS PAN HEAD M4X10	VITE M4x10
9	20102400 I-6KT SCHRAUBE M5X14	SCREW M5X14	VIS M5X14	VITE M5x14
10	20009600 U-SCHEIBE M5	WASHER M5	RONDELLE M5	RONDELLA M5
11	20344300 SPRÜHDÜSE KOMPLETT	SPRAYING NOZZLE CPL.	GICLEUR DE VAPORISATION	UGELLO COMPLERO
12	20462500 SICHERUNGSRING D9	SECURITY WASHER D9	RONDELLE DE SECURITE D9	RONDELLA DI FISSAGGIO D9
13	20434200 DÜSENHALTER	HOLDER FOR NOZZLE	FIXATION DE GICLEUR	SUPPORTO UGELLO
14	20462400 KUGEL ZU SPRÜHDÜSE	BALL FOR SPRAYING NOZZLE	BOULE POUR GICLEUR	SFERA UGELLO
15	20462300 DRUCKFEDER	PRESSURE SPRING	RESSORT POUR GICLEUR	MOLLA DI PRESSIONE
16	20441700 SPRÜHDÜSE GELB	SPRAYING JET YELLOW	GICLEUR JAUNE	UGELLO GIALLO
17	20441800 ÜBERWURFMUTTER 3/8"	CUP NUT 3/8"	ECROU DE BLOCKAGE 3/8"	DADO 3/8"
18	20480200 DÜSENHALTER 230X115X3	NOZZLE HOLDER 230X115X3	PORTE-SUCEUR 230X115X3	SUPPORTO UGELLO
19	20119500 6-KT SCHRAUBE M5X12	HEX SCREW M5X12	VIS A 6 PANS M5X12	VITE M5x12
20	20067400 FÄCHERSCHEIBE M5	LOCK WASHER M5	RONDELLE EVANTAIL M5	RONDELLAM5
21	20431900 STOPPMUTTER M8	STOPP NUT M8	ECROU M8	DADO STOPP M8
22	20486600 UNTERLAGE D30X10	DISTANCE PIECE D30X10	PIECE DE DISTANCE D30X10	DISTANZIALE D30x10
23	20386700 RUNDPUFFER	ROUND BUFFER	AMORTISSEUR	AMMORTIZZATORE
24	20480300 TRÄGER 252X45X5	ARCH 252X45X5	ARCH 252X45X5	STAFFA
25	20480400 SENKSCHRAUBE M8X12	COUNTERSUNK SCREW M8X12	VIS M8X12	VITE M8x12
26	20009600 U-SCHEIBE M5	WASHER M5	RONDELLE M5	RONDELLA M5
27	20046000 STOPPMUTTER M5	STOPP NUT M5	ECROU M5	DADO STOPP M5



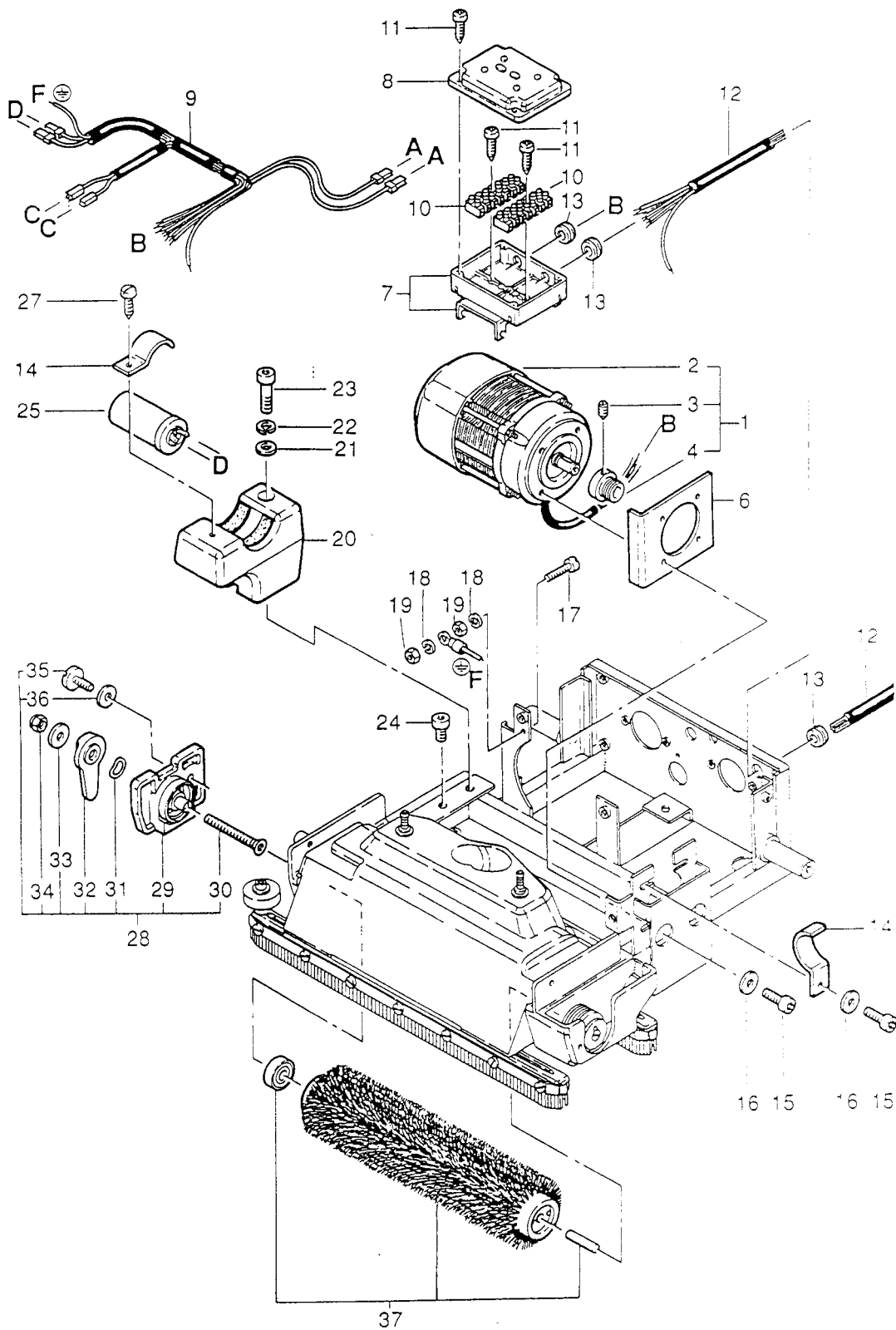
## RA33 K

POS	BEZEICHNUNG	DESCRIPTION	DESIGNATION	DESCRIZIONE
3	20481400 WASSERSAUGDÜSE	SUCTION NOZZLE	SUCEUR	BOCCHETTA LIQUIDI
5	20419100 LAMELLE AUSSEN (BLAU)	OUTER LAMELLA (BLUE)	LAMELLE EXTERIEUR BLEU)	LAMELLE ESTERNE(BLU)
6	20428400 LAMELLE INNEN (GRÜN)	INNER LAMELLE (GREEN)	LAMELLE INTERIEUR (VERT)	LAMELLE INTERNE (VERDI)
7	20321500 HALTEBLECH 448X10X2;5	CLAMPING PLATE	PIECE DE FIXATION	SUPPORTO IN LAMIERA
8	20377900 FLACHKOPFSCHRAUBE M4X10	PAN HEAD SCREW M4X10	VIS PAN HEAD M4X10	VITE M4x10
9	20321700 KANTENSCHUTZ 50/10X1	PROTECTION PIECE	PROTECTION	PROTEZIONE
10	20321400 ABWEISROLLE 40X10	FENDER WHEEL	ROUE DE REJET	RUOTE 40x10
11	20321300 DISTANZHÜLSE 8/5.5x10.5	DISTANCE PIECE	PIECE DE DISTANCE	BOCCOLA DISTANZIALE
12	20009600 U-SCHEIBE M5	WASHER M5	RONDELLE M5	RONDELLA M5
13	20102300 6KT-SCHRAUBE M5X20	HEX SCREW M5X20	VIS A 6 PANS M5X20	VITE M5x20



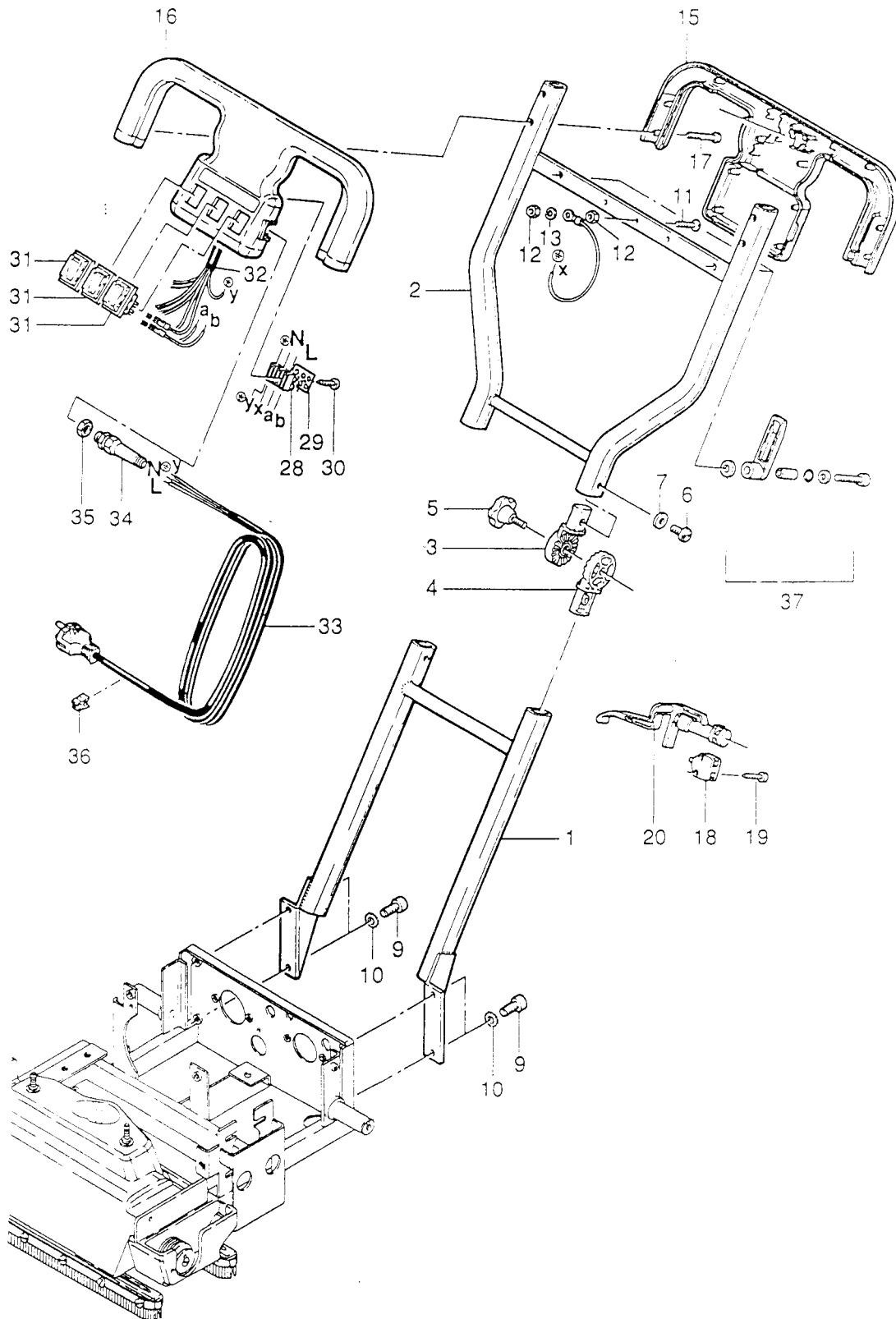
**RA33 K**

<b>POS</b>	<b>BEZEICHNUNG</b>	<b>DESCRIPTION</b>	<b>DESIGNATION</b>	<b>DESCRIZIONE</b>
1	20322100 SAUGMOTOR EMC 240V	SUCTION MOTOR EMC 240V	MOTEUR D'ASPIR. EMC 240V	MOTORE ASPIR. EMC 240V
2	20487000 KOHLEBÜRSTEN (PAAR)	PAIR OF CARBON BRUSHES	BALAI DE CHARBON	CARBONCINI (COPPIA)
3	20487100 VERBINDUNGSSTUTZEN	CONNECTION PIECE	RACCORD	CONNETTORE
4	20321900 SCHALLDÄMMSCHLAUCH	NOISE ABSORBING HOSE	ISOLATION DE BRUIT	TUBO FONOASSORBENTE
5	20151900 I-6KT SCHRAUBE M6X12	SCREW M6X12	VIS M6X12	VITE M6x12
6	20000700 U-SCHEIBE M6	WASHER M6	RONDELLE M6	RONDELLA M6
7	20487200 RUNDPUFFER D20X25	ROUND BUFFER D20X25	AMORTISEUR D20X25	AMMORTIZZATORE D20x25
8	20421400 KÜHLLUFTKANAL	TUBE FOR MOTOR COOLING	CANAL D'AIR DE REFRIG.	CANALE DI VENTILAZIONE
9	20487300 O-RING 3X1.5	O-RING 3X1.5	O-JOINT 3X1.5	ANELLO A O 3x1,5
10	20460600 KLEMMBÜGEL	CLAMP BOW	ETRIER DE SERRAGE	STAFFETTA
11	20459400 ENTSTÖRKONDENSATOR	CAPACITOR	CONDENSATEUR	CONDENSATORE ANTIDISTURBO
12	20377900 FLACHKOPFSCHRAUBE M4X10	PAN HEAD SCREW M4X10	VIS PAN HEAD M4X10	VITE M4x10
13	20460700 FEDERRING M4	SPRING RING M4	ANNEAU A RESSORT M4	RONDELLA M4
14	20348600 SCHLAUCH KOMPLETT	HOSE COMPLETE	TUYAU COMPLETE	TUBO COMPLETO
15	20487500 SCHLAUCH 40/33X310	HOSE 40/33X310	TUYAU 40/33X310	TUBO 40/33x310
16	20348500 ANSCHLUSSMUFFE NW32	SOCKET NW32	MANCHON NW32	RACCORDO TUBO NW32
17	20322000 ÜBERGANGSSTUTZEN	CONNECTION PIECE	RACCORD	RACCORDO
18	20487600 I-6KT SCHRAUBE M4X12	SCREW M4X12	VIS M4X12	VITE M4x12
19	20000300 U-SCHEIBE M4	WASHER M4	RONDELLE M4	RONDELLA M4
20	20422100 SAUGSCHLAUCH NW32X490	SUCTION HOSE NW32X490	TUYAU D'ASPIRATION	TUBOFLEX NW32x490
21	20481100 MUFFE D43X35.5	SOCKET D43X35.5	MANCHON D43X35.5	RACCORDO D43x35,5



## RA33 K

POS	BEZEICHNUNG	DESCRIPTION	DESIGNATION	DESCRIZIONE
1	20487700 BÜRSTMOTOR KOMPLETT	BRUSH MOTOR COMPLETE	MOTEUR DE BROSSE CPL.	MOTORE SPAZZOLA CPL.
2	20425700 EL-MOTOR 370W	BRUSH MOTOR 370W	MOTEUR DE BROSSE 370W	MOTORE EL 370W
3	20475100 GEWINDESTIFT M6X10	THREADED PIN M6X10	VIS SANA TETE M6X10	SPINOTTO FILETTATO M6x10
4	20475200 RIEMENSCHLEIBE	BELT PULLEY	POULIE	PULEGGIA TRASMISS.CINGHIA
6	20481900 MOTORHALTEPLATTE 110X90X3	MOTOR HOLDER	FIXATION POUR MOTEUR	PIASTA FISSAGGIO MOTORE
7	20475400 KLEMMENKASTEN UNTERTEIL KPL-	DISTRIBUTION BOX	BOITE DE DISTRIBUTION	MORSETTIERA INF. COMPL.
8	20461300 KLEMMENKASTEN-DECKEL	COVER OF DISTRIBUTION BOX	COUVERCLE	COPERCHIO MORSETTIERA
9	20420200 MOTORKABELBAUM	WIRING FOR MOTOR	CABLES POUR MOTEUR	CAVO PER MOTORE
10	20487900 REIHENKLEMME	TERMINAL 7 POLES	SERRE-FILS 7 POLES	MORSETTIERA TRIPOLARE
11	20461600 PT-SCHRAUBE KA30X14	PT SCREW KA30X14	VIS PT KA30X14	VITE KA 30x14
12	20419700 MOTORKABELBAUM	WIRING FOR MOTOR	CABLES POUR MOTEUR	CAVO PER MOTORE
13	20476000 DURCHFÜHRTÜLLE	RUBBER CLAMP	PASSE-FILL	BECCUCCIO DI PASSAGGIO
14	20488000 HALTER	HOLDER FOR CAPACITOR	FIXATIO POUR CONDENSAT.	SUPPORTO
15	20102400 I-6KT SCHRAUBE M5X16	SCREW M5X16	VIS M5X16	VITE M5X16
16	20009600 U-SCHLEIBE M5	WASHER M5	RONDELLE M5	RONDELLA M5
17	20086900 ZYL.SCHRAUBE M4X20	SCREW M4X20	VIS M4X20	VITE CILINDRICA M4x20
18	20460700 FEDERING M4	SPRING RING M4	ANNEAU A RESSORT M4	ANELLO M4
19	20002600 6KT MUTTER M4	HEX NUT M4	ECROU A 6 PANS M4	DADO ESAGONALE M4
20	20002600 GEWICHT KOMPLETT	WEIGHT COMPLETE	POIDS COMPLETE	PESO COMPL.
21	20067600 U-SCHLEIBE M8	WASHER M8	RONDELLE M8	RONDELLA M8
22	20005500 FEDERING M8	SPRING RING M8	ANNEAU A RESSORT M8	ANELLO M8
23	20488100 I-6KT SCHRAUBE M8X40	SCREW M8X40	VIS M8X40	VIRE M8x40
24	20423900 I-6KT SCHRAUBE M8X10	SCREW M8X10	VIS M8X10	VITE M8x10
25	20488200 KONDENSATOR 16MF/450V	CAPACITOR 16MF/450V	CONDENSATEUR 16MF/450V	CONDENSATORE 16MF/450V
27	20488300 LINSCHRAUBE 4,2x16	SCREW 4,2x16	VIS 4,2x16	VITE 4,2X16
28	20423700 BÜRSTENHALTER KPL.	BRUSH SUPPORT CPL.	SUPPORT DE BROSSE CPL.	SUPPORTO SPAZZOLA CPL.
29	20321100 BÜRSTENHALTER	BRUSH SUPPORT	SUPPORT DE BROSSE	SUPPORTO SPAZZOLA
30	20482100 SENKSCHRAUBE M6X60	SCREW M6X60	VIS M6X60	VITE M6x60
31	20369300 FEDERSCHLEIBE	SPRING WASHER	RONDELLE A RESSORT	RONDELLA
32	20343600 STÜTZE	SUPPORT	SOUTIEN	SUPPORTO
33	20000700 U-SCHLEIBE M6	WASHER M6	RONDELLE M6	RONDELLA M6
34	20070000 STOPPMUTTER M5	STOPP NUT M6	ECROU M6	DADO STOPP M5
35	20341300 SPEZIALSCHRAUBE M5X12	SPECIAL SCREW M5X12	VIS SPECIALE M5X12	VITE SPECIALE M5x12
36	20112900 U-SCHLEIBE M5	WASHER M5	RONDELLE M5	RONDELLA M5
37	20252901 BÜRSTE KOMPLETT	BRUSH COMPLETE	BROSSE COMPLETE	SPAZZOLA COMPL.



## RA33 K

POS	BEZEICHNUNG	DESCRIPTION	DESIGNATION	DESCRIZIONE
1	20483200 STOSSBÜGEL UNTERTEIL	LOWER PUSHBAR	GUIDON INFÉRIEURE	STAFFA INFERIORE
2	20483300 STOSSBÜGEL OBERTEIL	UPPER PUSHBAR	GUIDON SUPÉRIEURE	STAFFA SUPERIORE
3	20431100 GELENK OBEN	UPPER JOINT	JOINT SUPÉRIEURE	GIUNTO SUPERIORE
4	20431000 GELENK UNTEN	LOWER JOINT	JOINT INFÉRIEURE	GIUNTO INFERIORE
5	20360200 STERNGRIFF	SCREW KNOB	POIGNEE	MANOPOLA A STELLA
6	20468800 FLACHKOPFSCHRAUBE M6X12	PAN HEAD SCREW M6X12	VIS PAN HEAD M6X12	VITE M6x12
7	20000700 U-SCHEIBE M6	WASHER M6	RONDELLE M6	RONDELLA M6
9	20151900 I-6KT SCHRAUBE M6X12	SCREW M6X12	VIS M6X12	VITE M6X12
10	20008000 FÄCHERSCHEIBE M6	LOCK WASHER M6	RONDELLE EVANTAIL M6	RONDELLA M6
11	20086900 SENKSCHRAUBE M4X20	SCREW M4X20	VIS M4X20	VITE M4x20
12	20002600 6KT MUTTER M4	HEX NUT M4	ECROU A 6 PANS M4	DADO ESAGONALE M4
13	20460700 FEDERRING M4	SPRING RING M4	ANNEAU A RESSORT M4	ANELLO M4
15	20485200 GRIFFSCHALE UNTEN	LOWER HOUSING HANDLE	BATI DE POIGNEE INF.	IMPUGNATURA INFERIORE
16	20488400 GRIFFSCHALE OBEN	UPPER HANDLE HOUSING	BATI DE POIGNEE SUP.	IMPUGNATURA SUPERIORE
17	20420100 PT-SCHRAUBE KA30X30	PT SCREW KA30X30	VIS PT KA 30X30	VITE KA 30x30
18	20344600 TASTSCHALTER	SWITCH	INTERRUPTEUR	INTERRUTTORE
19	20420000 PT-SCHRAUBE KA30X20	PT SCREW KA30X20	VIS PT KA30X20	VITE KA 30X20
20	20344700 STEUERHEBEL KOMPLETT	LEVER COMPLETE	LEVIER COMPLETE	LEVA COMPL.
28	20461400 REIHENKLEMME 3-FACH	TERMINAL 3-POLES	SERRE-FILS 3 POLES	MORSETTIERA TRIPOLARE
29	20478100 BEZEICHNUNGSPLÄTTCHEN	MARKING PLATE	PLAQUE DE CLASSIFIC.	PIASTRINA DESCRIZIONI
30	20152600 BLECHSCHRAUBE 2,9x16	TIN SCREW 2,9x16	VIS A TOLE 2,9x16	VITE 2,9X16
31	20460800 WIPPSCHALTER	TUMBLER SWITCH	INTERRUPTEUR	INTERRUTTORE A BILICO
32	20419700 KABELBAUM STOSSBÜGEL	WIRING TO HANDLE	CABLES POUR POIGNEE	MORSETTO CAVI
33	20445900 NETZZULEITUNG 15M	MAIN CONNECTION	CABLE D'ALIMENTATION	CAVO ALIMENTAZIONE 15M
34	20344800 KABELVERSCHRAUBUNG	CABLE ATTACHEMENT	ATTACHEMENT DU CABLE	RACCORDO FILETTATO CAVO
35	20419600 KONTERMUTTER PG9	COUNTER NUT PG9	CONTRE ECROU PG9	CONTRODADO PG9
36	20419800 KABELHALTER	CABLE CLAMP	CRAMPON POUR CABLE	MORSETTO CAVO
37	20319600 KABELHAKEN KPL.	CATCH FOR CABLE	CROCKETS POUR CABLE	LEVA CAVO COMPL.